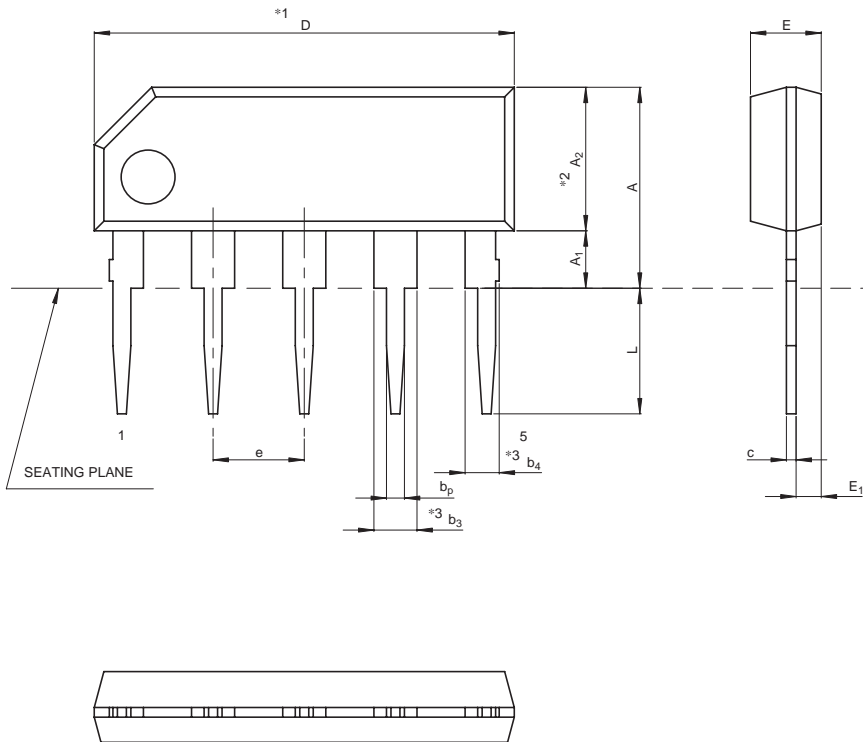


JEITA Package Code	RENESAS Code	Previous Code	MASS[Typ.]
P-SIP5-4x11.7-2.54	PRSS0005AA-A	5P5T	0.2g



NOTE)
 1. DIMENSIONS **1* AND **2*
 DO NOT INCLUDE MOLD FLASH.
 2. DIMENSION **3* DOES NOT
 INCLUDE TRIM OFFSET.

Reference Symbol	Dimension in Millimeters		
	Min	Nom	Max
A	—	—	6.1
A ₁	1.4	—	—
A ₂	—	4.0	—
b _p	0.4	0.5	0.6
b ₃	1.1	1.2	1.5
b ₄	0.75	0.85	1.15
c	0.22	0.27	0.34
e	2.29	2.54	2.79
E	1.77	1.97	2.17
E ₁	0.6	0.7	0.8
D	11.5	11.7	11.9
L	3.0	—	—