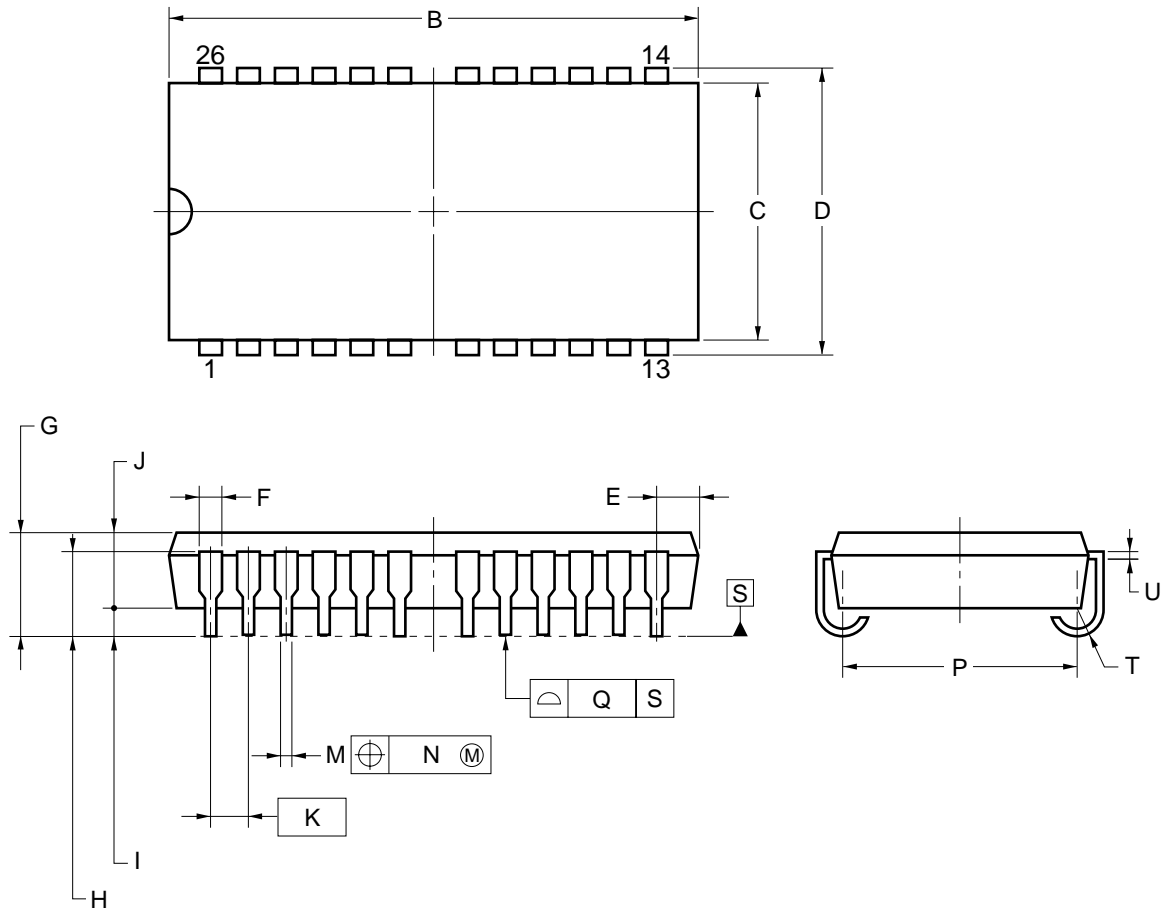


## 26-PIN PLASTIC SOJ (7.62mm(300))



### NOTE

Each lead centerline is located within 0.12 mm of its true position (T.P.) at maximum material condition.

ITEM	MILLIMETERS
B	$17.3^{+0.20}_{-0.25}$
C	7.62
D	$8.47 \pm 0.2$
E	$1.03 \pm 0.15$
F	0.74
G	$3.5 \pm 0.2$
H	$2.545 \pm 0.2$
I	0.8 MIN.
J	2.6
K	1.27 (T.P.)
M	$0.40 \pm 0.10$
N	0.12
P	$6.73 \pm 0.2$
Q	0.10
T	R0.85
U	$0.20^{+0.10}_{-0.05}$

S26LA-300A-2