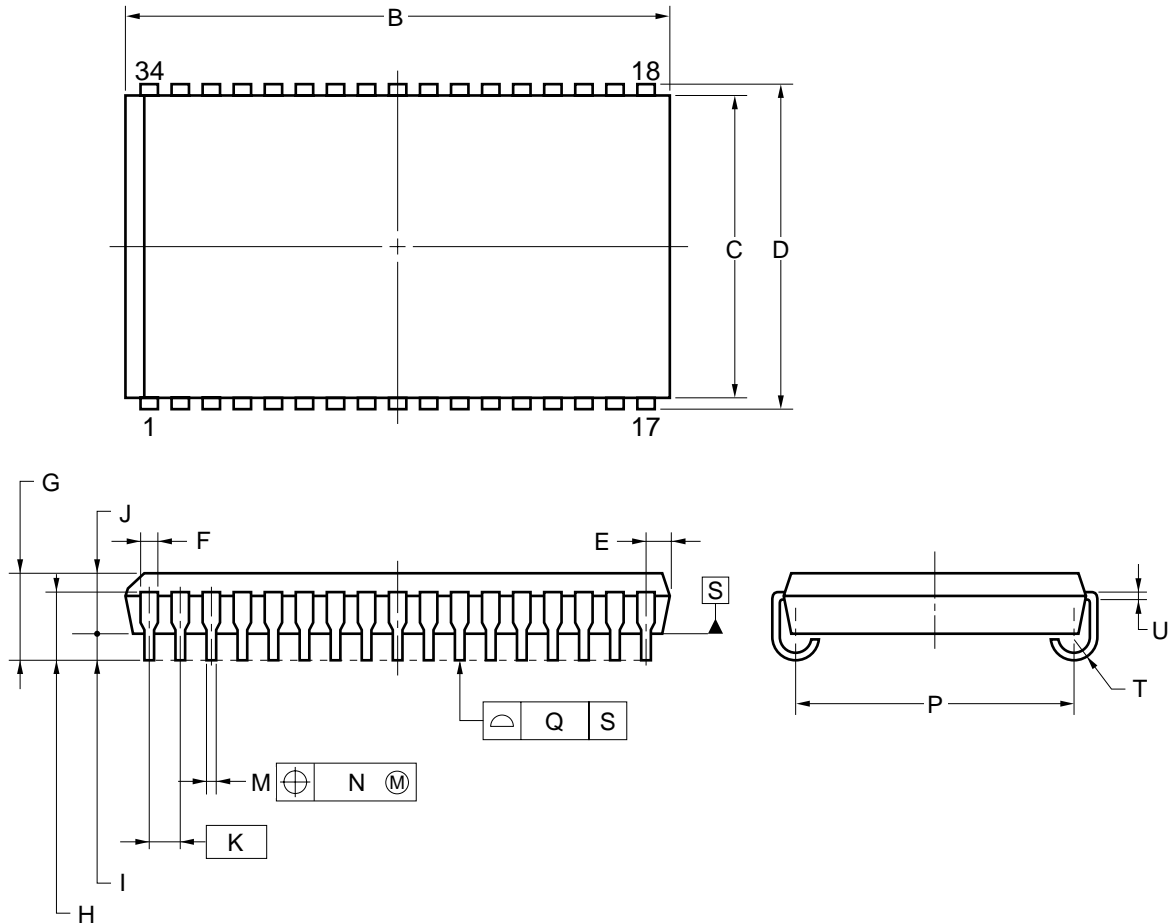


34-PIN PLASTIC SOJ (12.70mm(500))



NOTE

Each lead centerline is located within 0.12 mm of its true position (T.P.) at maximum material condition.

ITEM	MILLIMETERS
B	22.42±0.2
C	12.7
D	13.72±0.2
E	1.05±0.15
F	0.74
G	3.5±0.2
H	2.545±0.2
I	0.8 MIN.
J	2.6
K	1.27 (T.P.)
M	0.40±0.10
N	0.12
P	11.94±0.2
Q	0.10
T	R 0.85
U	0.20 ^{+0.10} _{-0.05}

S34LG-500A-1