

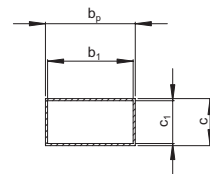
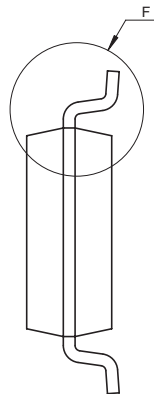
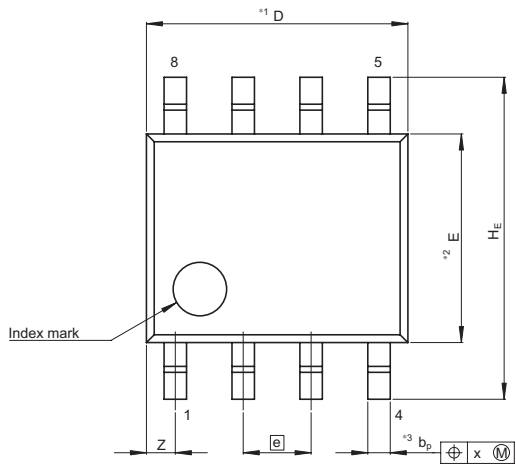
JEITA Package Code
P-SOP8-3.9x4.89-1.27

RENESAS Code
PRSP0008DF-A

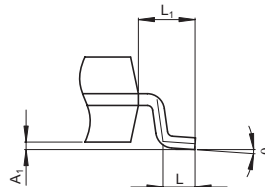
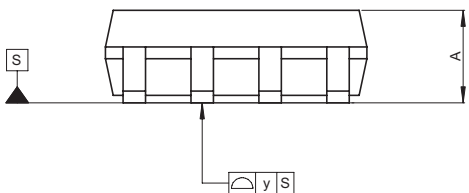
Previous Code
FP-8DB

MASS[Typ.]
0.08g

NOTE)
1. DIMENSIONS*1 (Nom)*AND*2*
DO NOT INCLUDE MOLD FLASH.
2. DIMENSION*3*DOES NOT
INCLUDE TRIM OFFSET.



Terminal cross section



Detail F

Reference Symbol	Dimension in Millimeters		
	Min	Nom	Max
D	—	4.89	5.15
E	—	3.90	—
A ₂	—	—	—
A ₁	0.102	0.14	0.254
A	—	—	1.73
b _p	0.356	0.42	0.483
b ₁	—	0.40	—
c	0.203	0.22	0.254
c ₁	—	0.20	—
θ	0°	—	8°
H _E	5.84	6.02	6.20
e	—	1.27	—
x	—	—	0.25
y	—	—	0.10
Z	—	—	0.69
L	0.406	0.60	0.889
L ₁	—	1.06	—