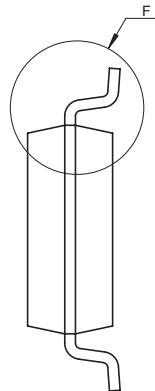
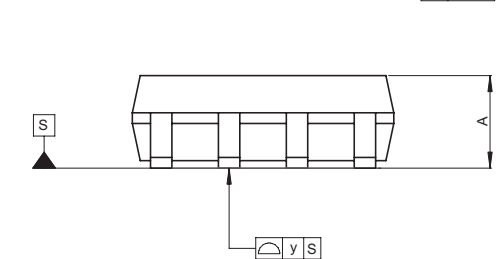
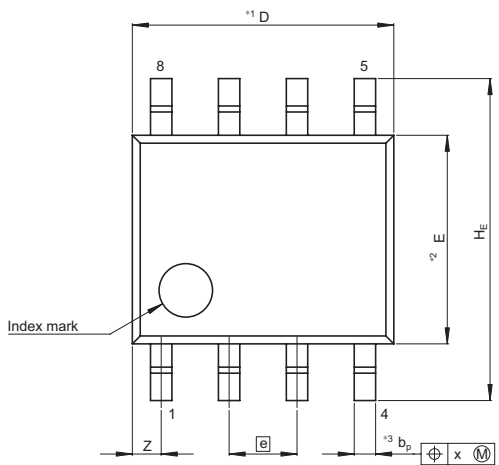


JEITA Package Code  
P-SOP8-3.9x4.89-1.27

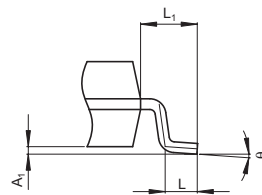
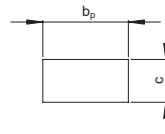
RENESAS Code  
PRSP0008DF-B

Previous Code  
FP-8DBV

MASS[Typ.]  
0.08g



Terminal cross section  
(Ni/Pd/Au plating)



Detail F

- NOTE)
1. DIMENSIONS<sup>\*1</sup> (Nom)<sup>\*</sup>AND<sup>\*2</sup> DO NOT INCLUDE MOLD FLASH.
  2. DIMENSION<sup>\*3</sup>DOES NOT INCLUDE TRIM OFFSET.

Reference Symbol	Dimension in Millimeters		
	Min	Nom	Max
D	—	4.89	5.15
E	—	3.90	—
A <sub>2</sub>	—	—	—
A <sub>1</sub>	0.102	0.14	0.254
A	—	—	1.73
b <sub>p</sub>	0.35	0.40	0.45
b <sub>1</sub>	—	—	—
c	0.15	0.20	0.25
c <sub>1</sub>	—	—	—
θ	0°	—	8°
H <sub>E</sub>	5.84	6.02	6.20
e	—	1.27	—
x	—	—	0.25
y	—	—	0.10
Z	—	—	0.69
L	0.406	0.60	0.889
L <sub>1</sub>	—	1.06	—