

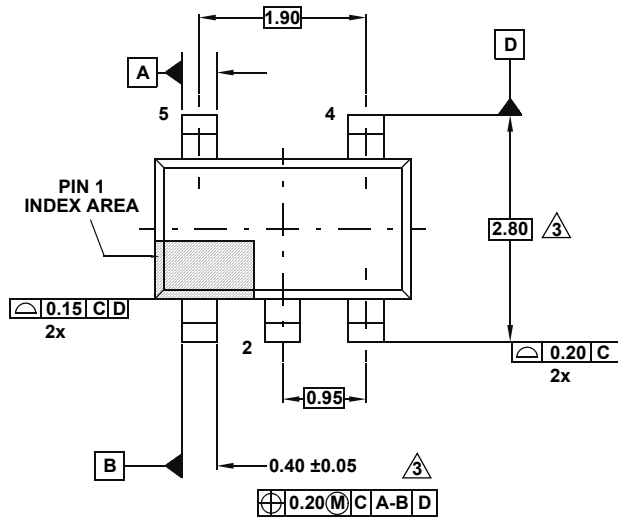
# Plastic Packages for Integrated Circuits

## Package Outline Drawing

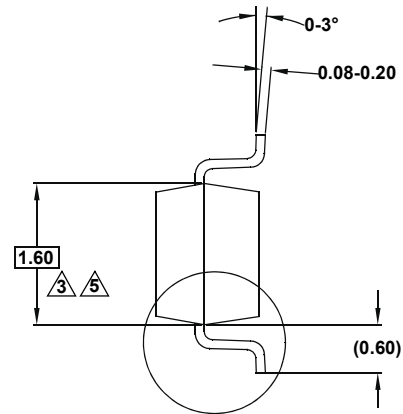
### P5.064A

#### 5 LEAD SMALL OUTLINE TRANSISTOR PLASTIC PACKAGE

Rev 0, 2/10

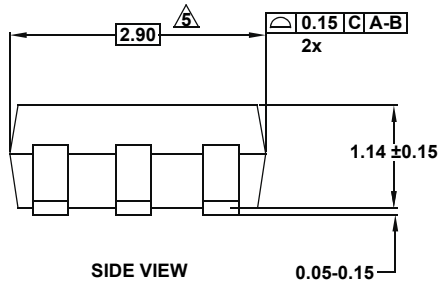


**TOP VIEW**

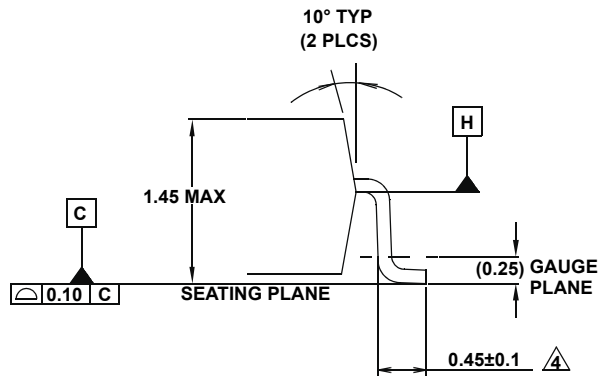


SEE DETAIL X

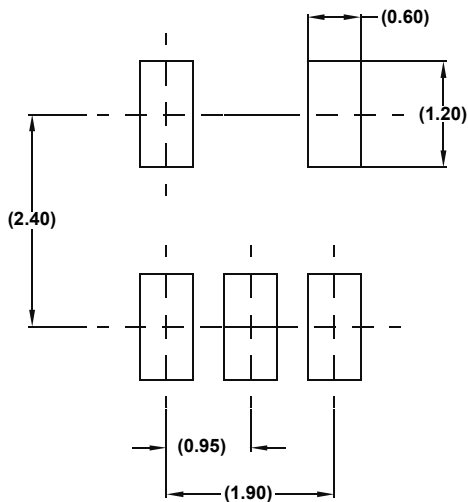
**END VIEW**



**SIDE VIEW**



**DETAIL "X"**



**TYPICAL RECOMMENDED LAND PATTERN**

#### NOTES:

1. Dimensions are in millimeters.  
Dimensions in ( ) for Reference Only.
2. Dimensioning and tolerancing conform to ASME Y14.5M-1994.
3. Dimension is exclusive of mold flash, protrusions or gate burrs.
4. Foot length is measured at reference to gauge plane.
5. This dimension is measured at Datum "H".
6. Package conforms to JEDEC MO-178AA.