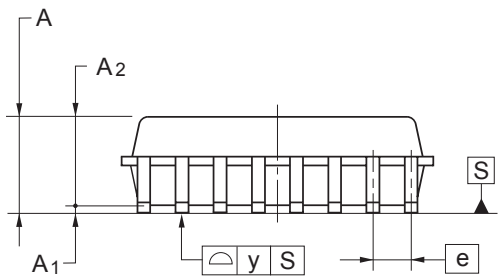
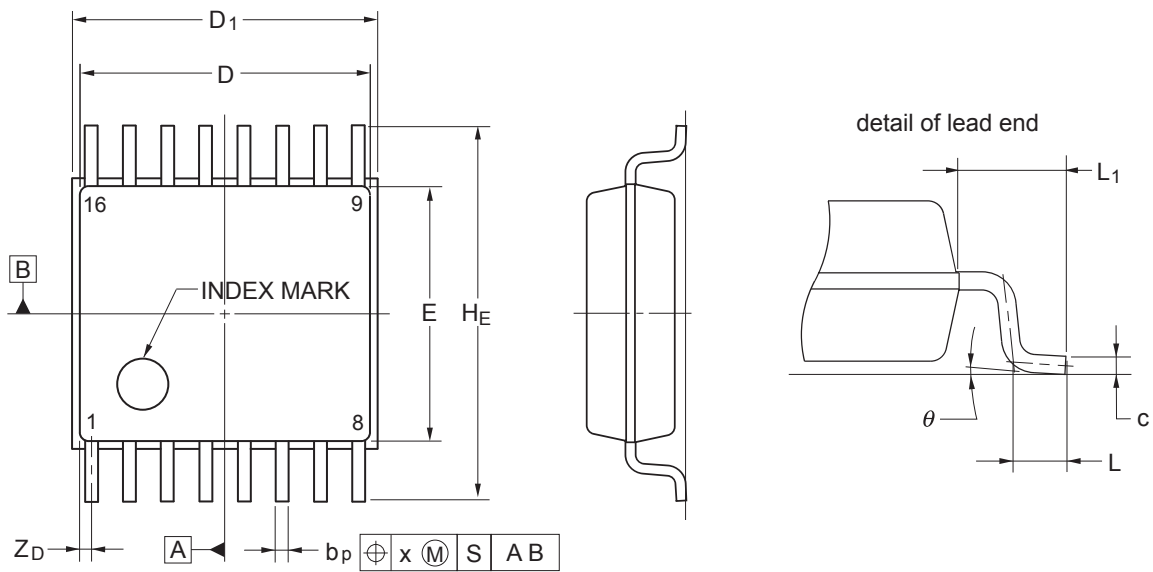
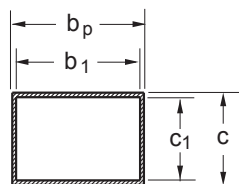


JEITA Package Code	RENESAS Code	Previous Code	MASS (Typ) [g]
P-SSOP16-4.4x5-0.65	PRSP0016JC-B	P16MA-65-FAB-1	0.08

Unit: mm



Terminal cross section



Reference Symbol	Dimensions in millimeters		
	Min	Nom	Max
D	4.85	5.00	5.15
D ₁	5.05	5.20	5.35
E	4.20	4.40	4.60
A ₂	—	1.50	—
A ₁	0.075	0.125	0.175
A	—	—	1.725
b _P	0.17	0.24	0.32
b ₁	—	0.22	—
c	0.14	0.17	0.20
c ₁	—	0.15	—
θ	0°	—	8°
H _E	6.20	6.40	6.60
e	—	0.65	—
x	—	—	0.13
y	—	—	0.10
Z _D	—	0.225	—
L	0.35	0.50	0.65
L ₁	—	1.00	—