

JEITA Package Code

RENESAS Code

Previous Code

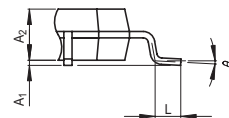
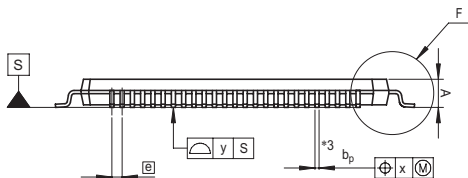
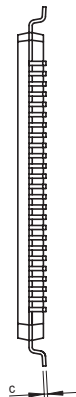
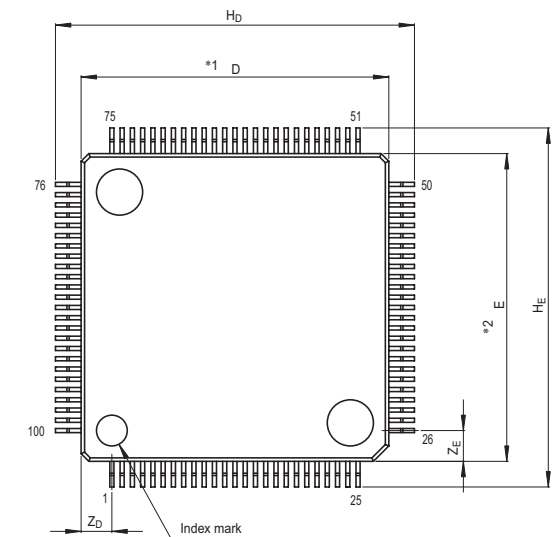
MASS[Typ.]

P-TFQFP100-12x12-0.40

PTQP0100LB-A

100PFB-A

0.4g



Detail F

NOTE)

1. DIMENSIONS ****1*** AND ****2*** DO NOT INCLUDE MOLD FLASH.
2. DIMENSION ****3*** DOES NOT INCLUDE TRIM OFFSET.

Reference Symbol	Dimension in Millimeters		
	Min	Nom	Max
D	11.9	12.0	12.1
E	11.9	12.0	12.1
A ₂	—	1.0	—
H _D	13.8	14.0	14.2
H _E	13.8	14.0	14.2
A	—	—	1.2
A ₁	0.05	0.1	0.15
b _p	0.13	0.18	0.23
c	0.09	0.145	0.20
θ	0°	—	8°
e	—	0.4	—
x	—	—	0.07
y	—	—	0.08
Z _D	—	1.2	—
Z _E	—	1.2	—
L	0.4	0.5	0.6