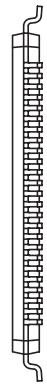
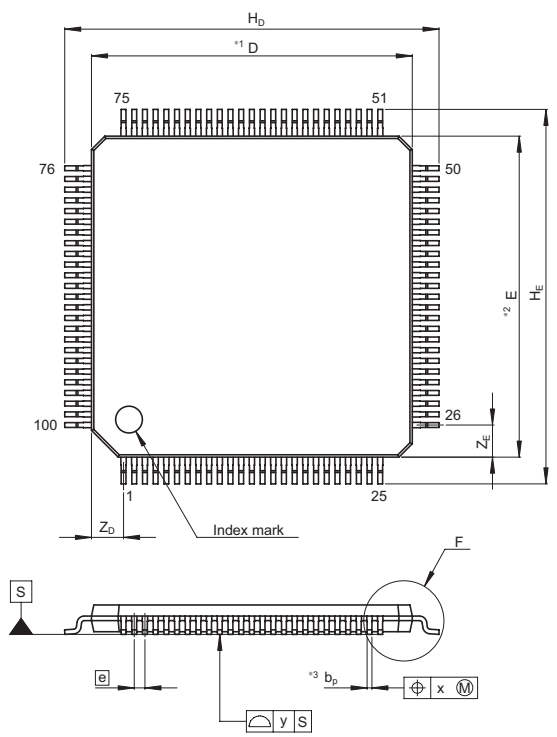
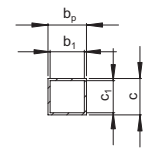


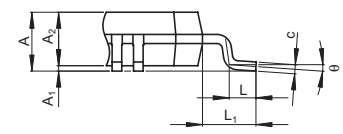
JEITA Package Code	RENASAS Code	Previous Code	MASS[Typ.]
P-TFQFP100-12x12-0.40	PTQP0100LC-A	TFP-100G/TFP-100GV	0.4g



NOTE)
 1. DIMENSIONS *1 AND *2 DO NOT INCLUDE MOLD FLASH
 2. DIMENSION *3 DOES NOT INCLUDE TRIM OFFSET.



Terminal cross section



Detail F

Reference Symbol	Dimension in Millimeters		
	Min	Nom	Max
D	—	12	—
E	—	12	—
A ₂	—	1.00	—
H _D	13.8	14.0	14.2
H _E	13.8	14.0	14.2
A	—	—	1.20
A ₁	0.00	0.10	0.20
b _p	0.13	0.18	0.23
b ₁	—	0.16	—
c	0.12	0.17	0.22
c ₁	—	0.15	—
θ	0°	—	8°
e	—	0.4	—
x	—	—	0.07
y	—	—	0.10
Z _D	—	1.2	—
Z _E	—	1.2	—
L	0.4	0.5	0.6
L ₁	—	1.0	—