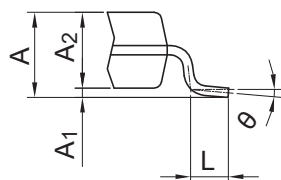
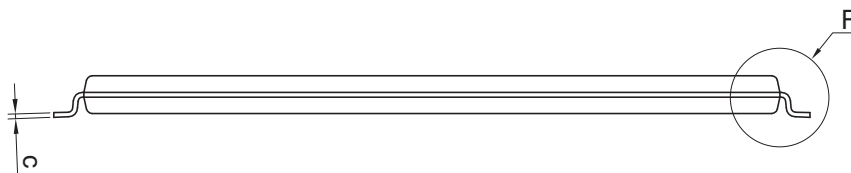
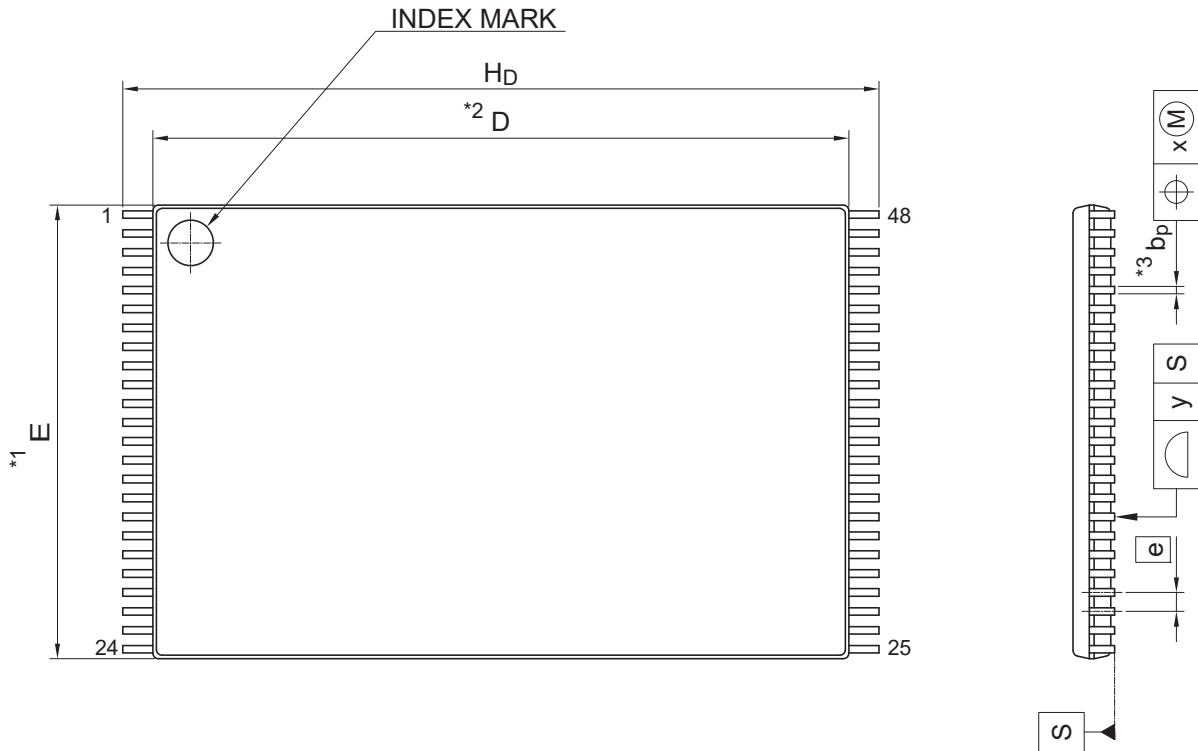


<b>JEITA Package Code</b>	<b>RENESAS Code</b>	<b>MASS (Typ.) [g]</b>
P-TSOP(1)48-12×18.4-0.50	PTSA0048KI-A	0.56



**Detail F**

Reference Symbol	Dimension in Millimeters		
	Min.	Nom.	Max.
D	18.30	18.40	18.50
E	11.90	12.00	12.10
A <sub>2</sub>	—	1.00	—
H <sub>D</sub>	19.80	20.00	20.20
A	—	—	1.20
A <sub>1</sub>	0.05	0.10	0.15
b <sub>p</sub>	0.17	0.22	0.27
c	0.10	0.127	0.21
θ	0°	—	5°
e	—	0.50	—
x	—	—	0.08
y	—	—	0.10
L	0.43	0.53	0.63

NOTE)  
 1. DIMENSIONS “\*1” AND “\*2”  
 DO NOT INCLUDE MOLD FLASH.  
 2. DIMENSIONS “\*3” DOES NOT  
 INCLUDE TRIM OFFSET.