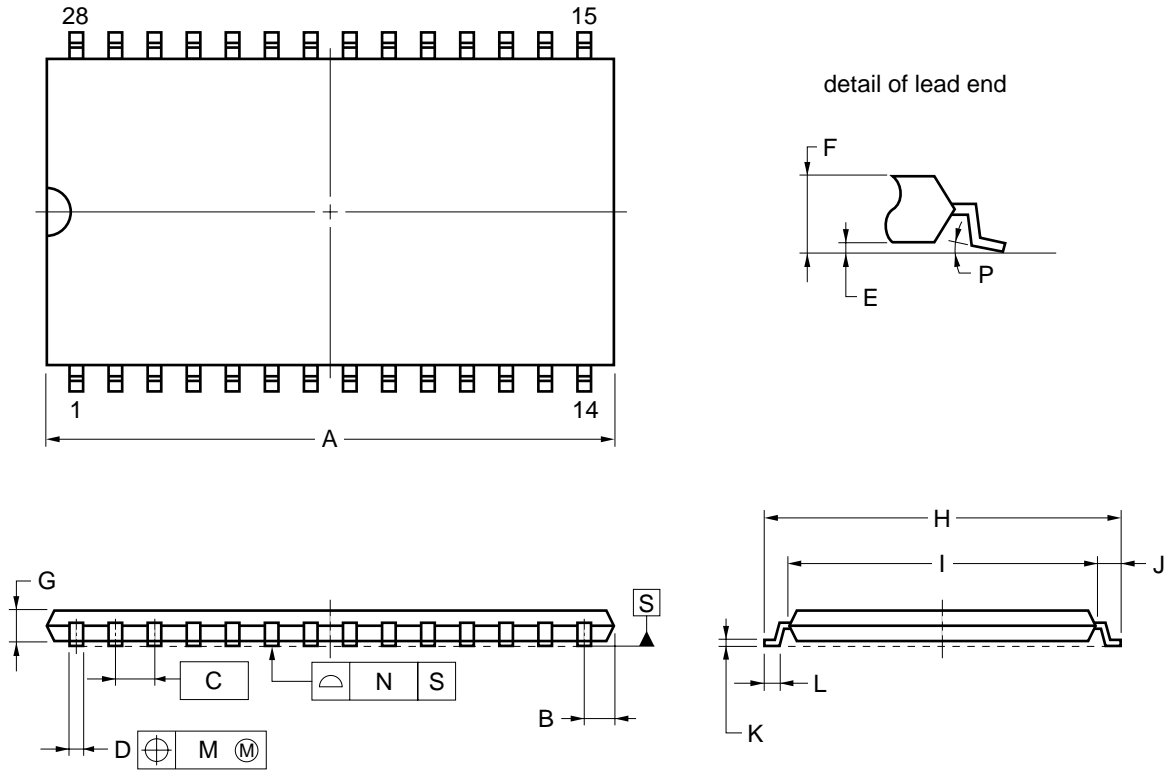


28-PIN PLASTIC TSOP(II) (10.16 mm (400))



NOTE

Each lead centerline is located within 0.21 mm of its true position (T.P.) at maximum material condition.

ITEM	MILLIMETERS
A	18.81 MAX.
B	1.15 MAX.
C	1.27 (T.P.)
D	0.40±0.10
E	0.05±0.05
F	1.1 MAX.
G	0.97
H	11.76±0.2
I	10.16±0.1
J	0.8±0.2
K	0.125 ^{+0.10} _{-0.05}
L	0.5±0.1
M	0.21
N	0.10
P	3°±3°

S28G5-50-7JD-3