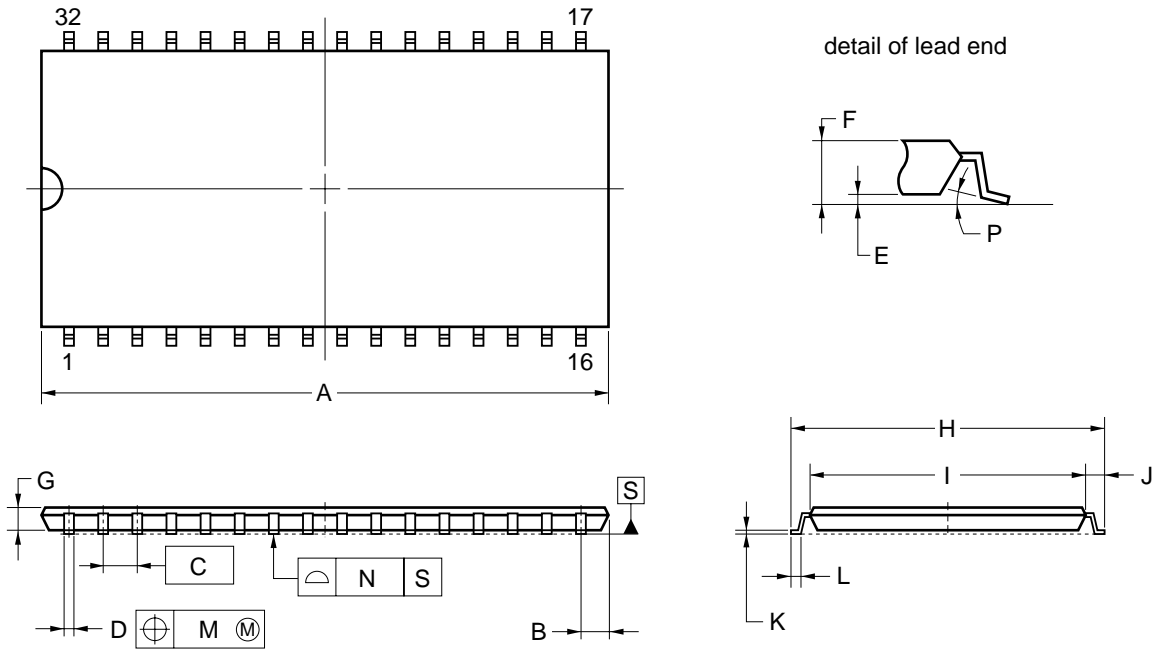


32-PIN PLASTIC TSOP (II) (10.16mm(400))



NOTE

Each lead centerline is located within 0.21 mm of its true position (T.P.) at maximum material condition.

ITEM	MILLIMETERS
A	21.17 MAX.
B	1.075 MAX.
C	1.27 (T.P.)
D	0.42 ^{+0.08} _{-0.07}
E	0.1±0.05
F	1.2 MAX.
G	0.97
H	11.76±0.2
I	10.16±0.1
J	0.8±0.2
K	0.145 ^{+0.025} _{-0.015}
L	0.5±0.1
M	0.21
N	0.10
P	3° ^{+7°} _{-3°}

S32G5-50-7JD2-1