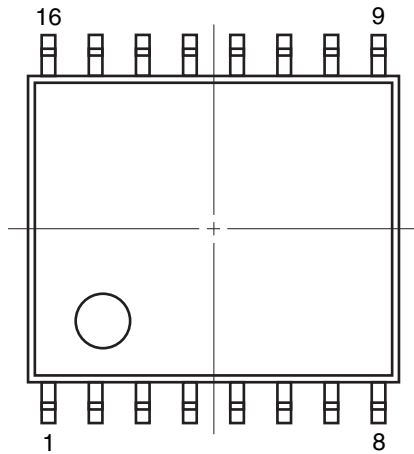
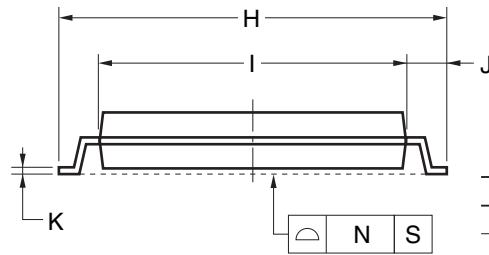
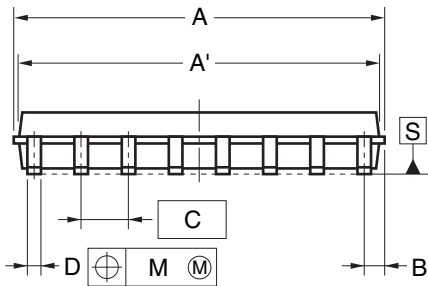
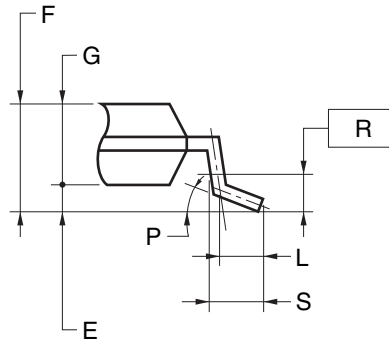


JEITA Package Code	RENESAS Code	Previous Code	MASS (TYP.) [g]
P-TSSOP16-0225-0.65	PTSP0016ZA-A	S16GR-65-PJG-2	0.06



detail of lead end



**NOTE**

Each lead centerline is located within 0.10 mm of its true position (T.P.) at maximum material condition.

ITEM	MILLIMETERS
A	5.15±0.15
A'	5.0±0.1
B	0.375 MAX.
C	0.65 (T.P.)
D	0.24 <sup>+0.06</sup> <sub>-0.04</sub>
E	0.09 <sup>+0.06</sup> <sub>-0.04</sub>
F	1.01 <sup>+0.09</sup> <sub>-0.06</sub>
G	0.92
H	6.4±0.2
I	4.4±0.1
J	1.0±0.2
K	0.145 <sup>+0.055</sup> <sub>-0.045</sub>
L	0.5
M	0.10
N	0.10
P	3° <sup>+5°</sup> <sub>-3°</sub>
R	0.25
S	0.6±0.15