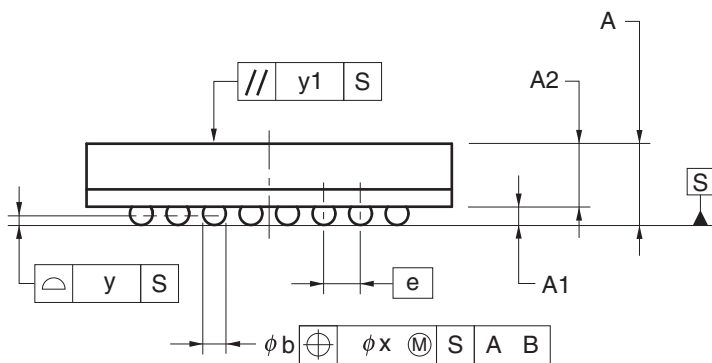
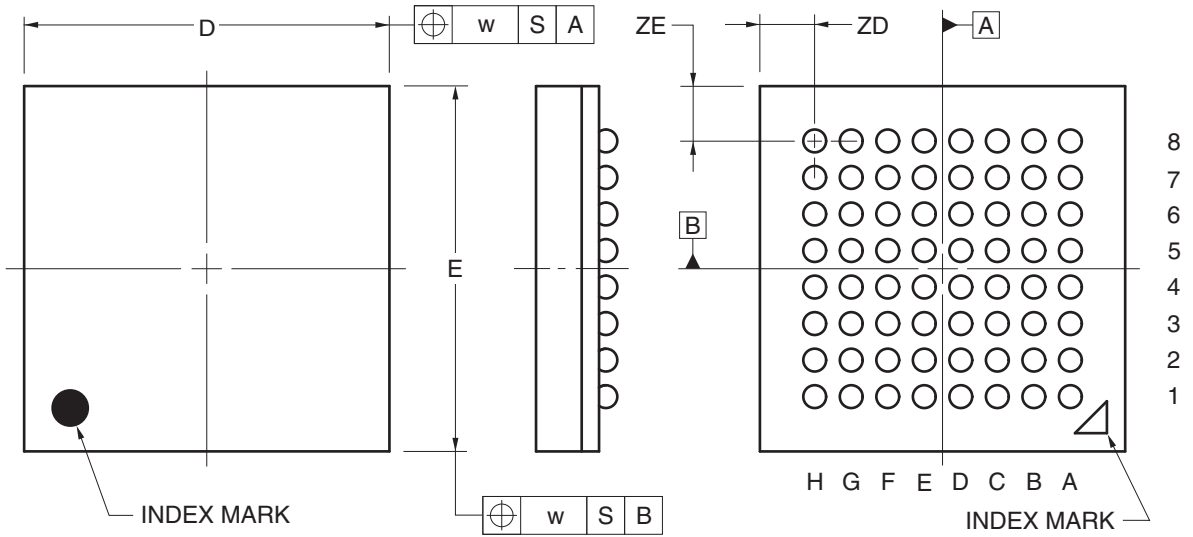


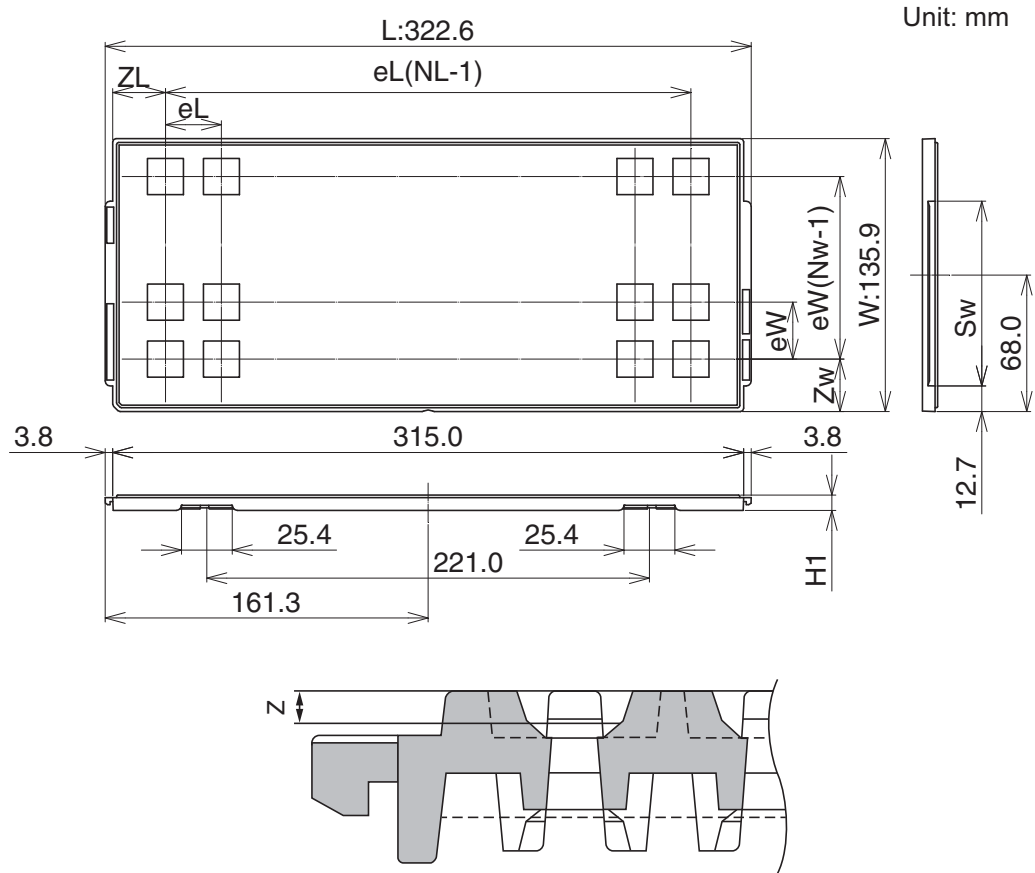
JEITA Package Code	RENESAS Code	Previous Code	MASS (TYP.) [g]
P-VFBGA64-4x4-0.40	PVBG0064LA-A	P64F1-40-AA2-2	0.03



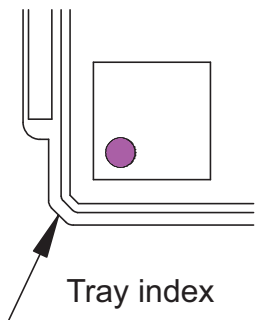
(UNIT:mm)

ITEM	DIMENSIONS
D	4.00±0.10
E	4.00±0.10
w	0.15
A	0.89±0.10
A1	0.20±0.05
A2	0.69
e	0.40
b	0.25±0.05
x	0.05
y	0.08
y1	0.20
ZD	0.60
ZE	0.60

**Packing Specification
Tray Outline Drawing
FBGA4x4ESP**



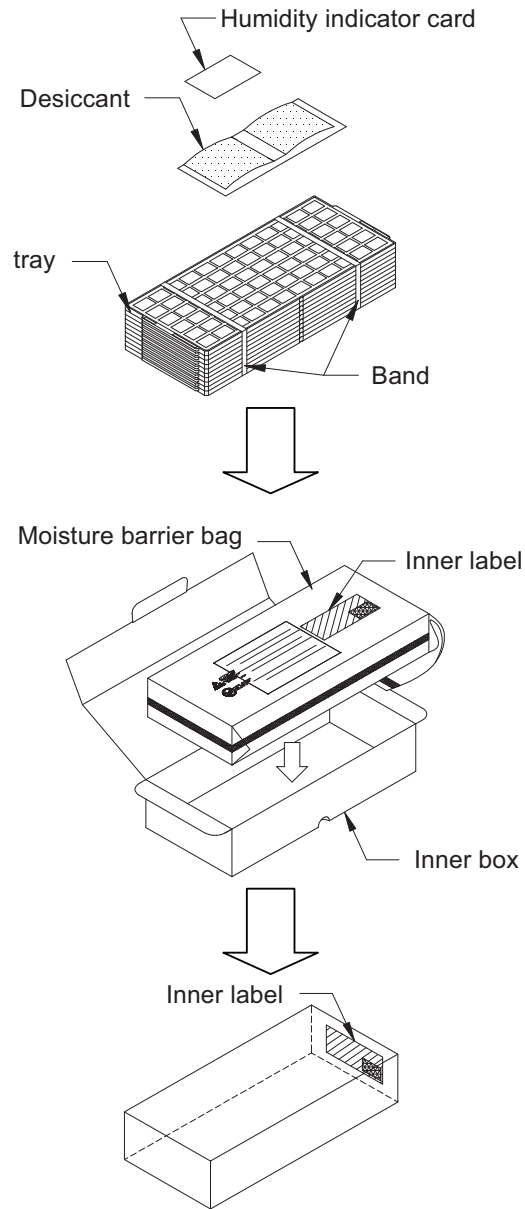
The pin1 is located in the hatching portion.



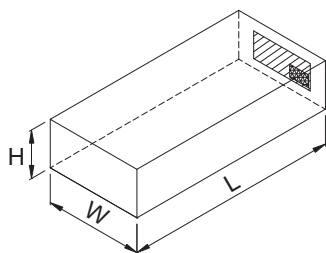
Tray Code		FBGA4x4ESP
Position dimension of cells	Z	1.51
	Zw	8.15
	ZL	7.90
	eW	9.20
	eL	8.80
	Sw	92.1
Thickness (mm)	H1	7.62
Number of cells	Nw	14
	NL	35
Maximum storage pcs. IC/Tray		490
Maximum storage pcs. IC/Inner box		3920
Material		Carbon PPE
Heat resistant temperature		135°C MAX
JEDEC or Custom		JEDEC
Surface resistance		Less than $1 \times 10^{11} \Omega/\square$

RDK-H-000598

Packing Specification
Tray Packing
(Complete dry pack)



Inner box size



Unit: mm

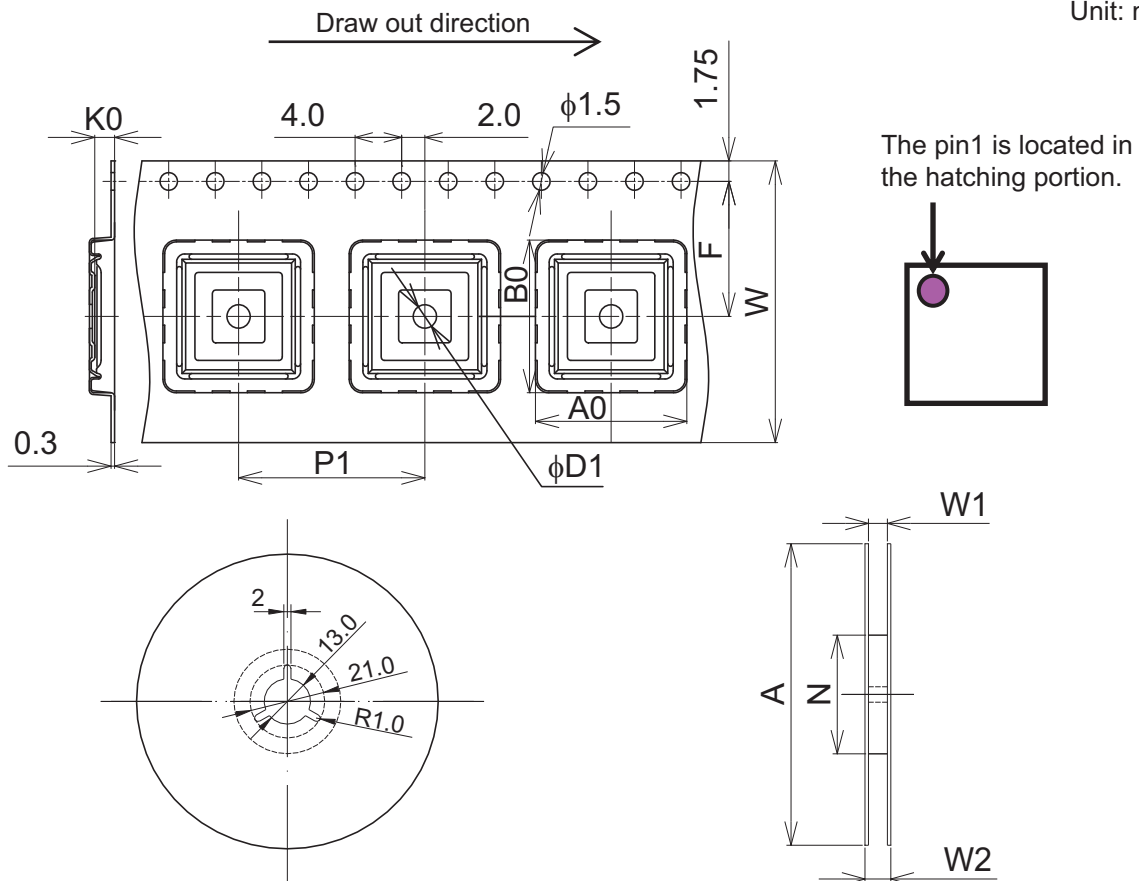
L	W	H
330	152	75

RDK-H-000216

© 2017 Renesas Electronics Corporation. All rights reserved.

Packing Specification
Tape & Reel Outline Drawing
MTE2416H-64P6Q-A

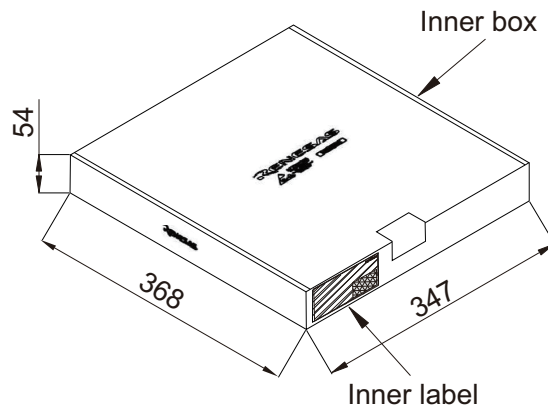
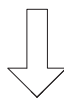
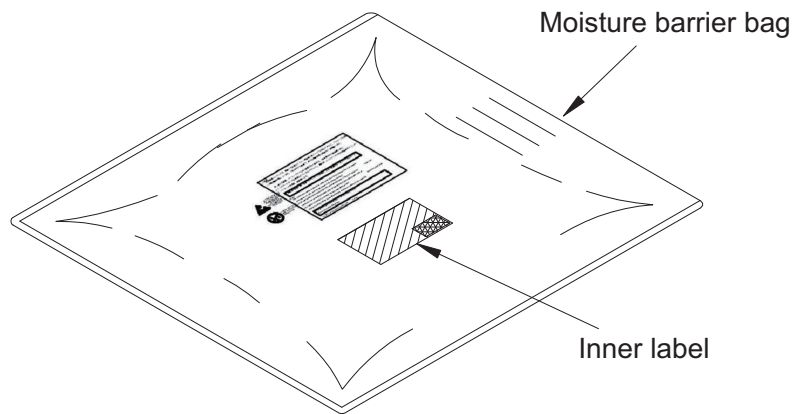
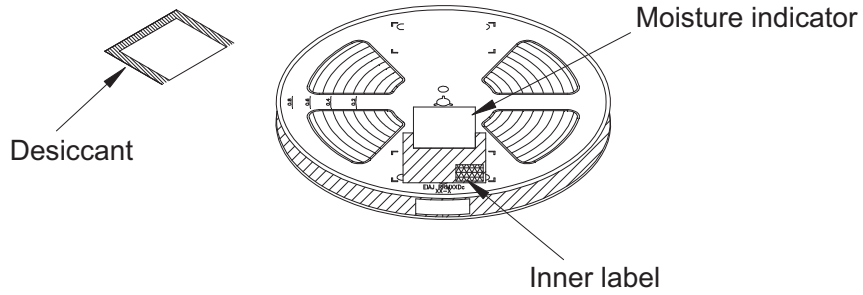
Unit: mm



Tape Code		MTE2416H-64P6Q-A
Tape Dimensions (mm)	W	24
	P1	16
	A0	13
	B0	13
	K0	1.7
	F	11.5
	D1	2
Reel Dimensions (mm)	A	330
	N	100
	W1	25.4
	W2	29.4
Maximum storage No. IC/ Reel		1500
Material		Carbon PS
Surface resistance		Less than $1 \times 10^{11} \Omega/\square$

RDH-H-000270

**Packing Specification
Tape & Reel Packing
(Tape dry pack)**



RDK-H-000152

© 2017 Renesas Electronics Corporation. All rights reserved.