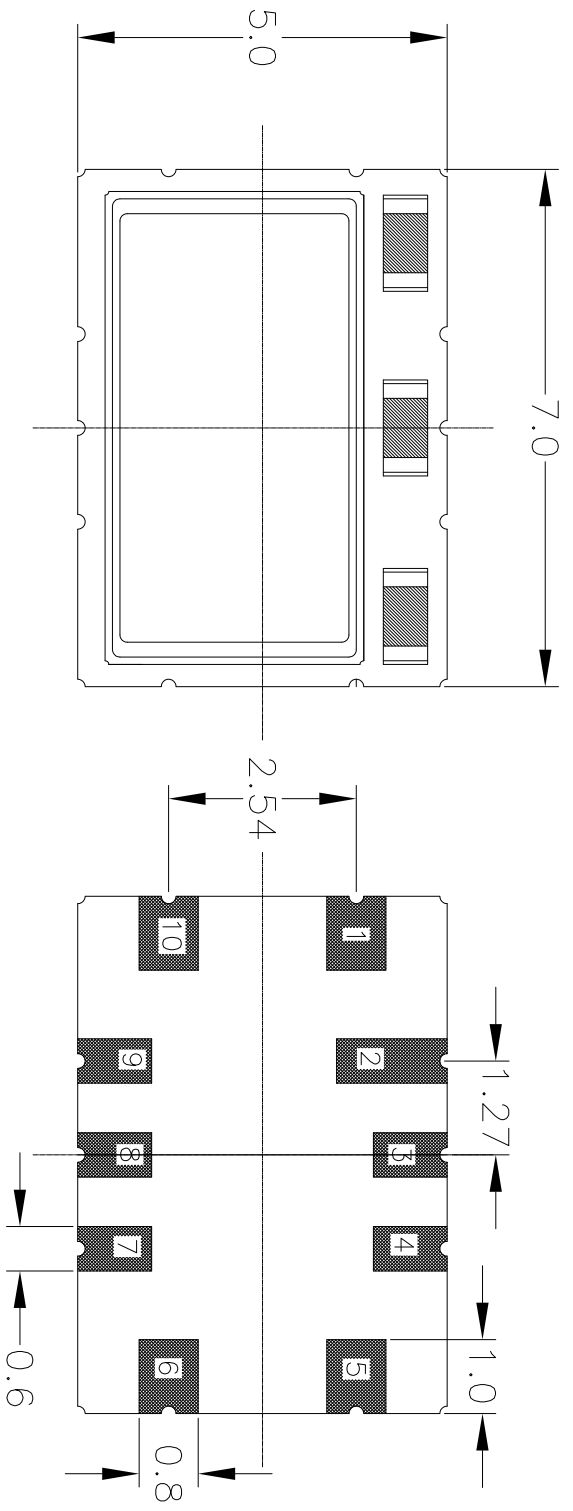


REVISIONS			
REV	DESCRIPTION	DATE	APPROVED
00	INITIAL RELEASE	4/27/15	JHUA




TOP VIEW

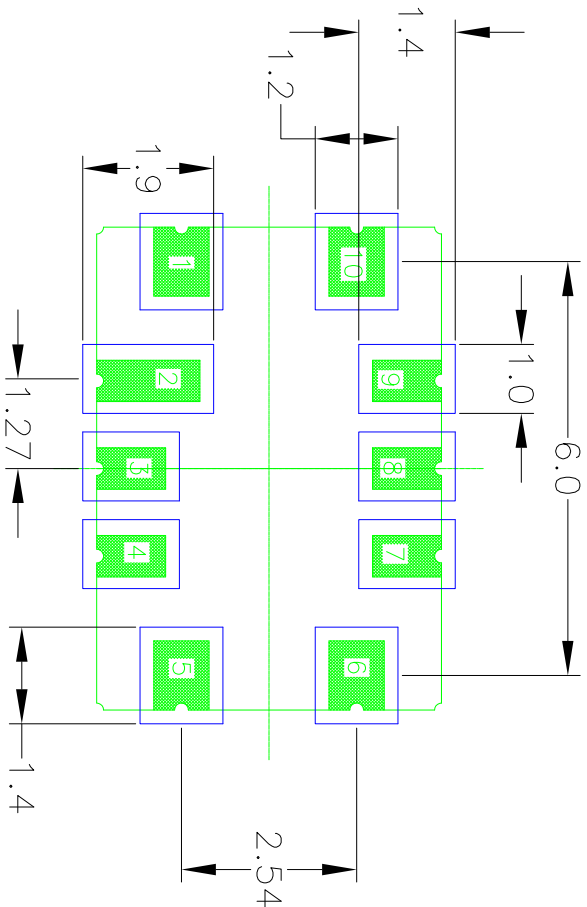
BOTTOM VIEW

SIDE VIEW

NOTES:
1. ALL DIMENSIONS IN MM.

TOLERANCES UNLESS SPECIFIED		 IDT ™ 6024 Silver Creek Valley Rd San Jose, CA 95138 PHONE: (408) 727-6116 FAX: (408) 492-8674
DECIMAL	ANGULAR	
XXE	±	
XXXXE		
APPROVALS	DATE	TITLE
DRAWN / P&G	4/27/15	SC10 PACKAGE OUTLINE
CHECKED		7.0 x 5.0 mm BODY
		2.0 mm Thick
SIZE	DRAWING No.	REV
C	PSC-4607	00
DO NOT SCALE DRAWING		SHEET 1 OF 2

REVISIONS			
REV	DESCRIPTION	DATE	APPROVED
00	INITIAL RELEASE	4/2/15	J.H.I.A



RECOMMENDED LAND PATTERN

- NOTES:
1. ALL DIMENSION ARE IN mm. ANGLES IN DEGREES.
 2. TOP DOWN VIEW AS VIEWED ON PCB.
 3. COMPONENT OUTLINE SHOWN FOR REFERENCE IN GREEN.
 4. LAND PATTERN IN BLUE. NSMD PATTERN ASSUMED.
 5. LAND PATTERN RECOMMENDATION PER IPC-7351B GENERIC REQUIREMENT FOR SURFACE MOUNT DESIGN AND LAND PATTERN.

TOLERANCES UNLESS SPECIFIED			
DECIMAL	±	ANGULAR	
XXX±			
XXXX±			
APPROVALS	DATE	TITLE	SC10 PACKAGE OUTLINE
DRAWN <i>DAIG</i>	4/2/15	GRAM	7.0 x 5.0 mm BODY
CHECKED			2.0 mm Thick
		SIZE	C
		DRAWING No.	PSC-4607
		REV	00
DO NOT SCALE DRAWING			SHEET 2 OF 2

IDT™ 6024 Silver Creek Valley Rd
 San Jose, CA 95138
 PHONE: (408) 727-6116
 FAX: (408) 492-8574
www.IDT.com