

# Quick Start Guide

RL78/G15  
Fast Prototyping Board

## (1) Checking out the video guide

A video is available to help you get started with Fast Prototyping Board for RL78 Family. The QR code for the video is at right.

You can also check the board's full specifications on the Renesas Web site.

URL: [https://www.renesas.com/rl78g15\\_fpb](https://www.renesas.com/rl78g15_fpb)



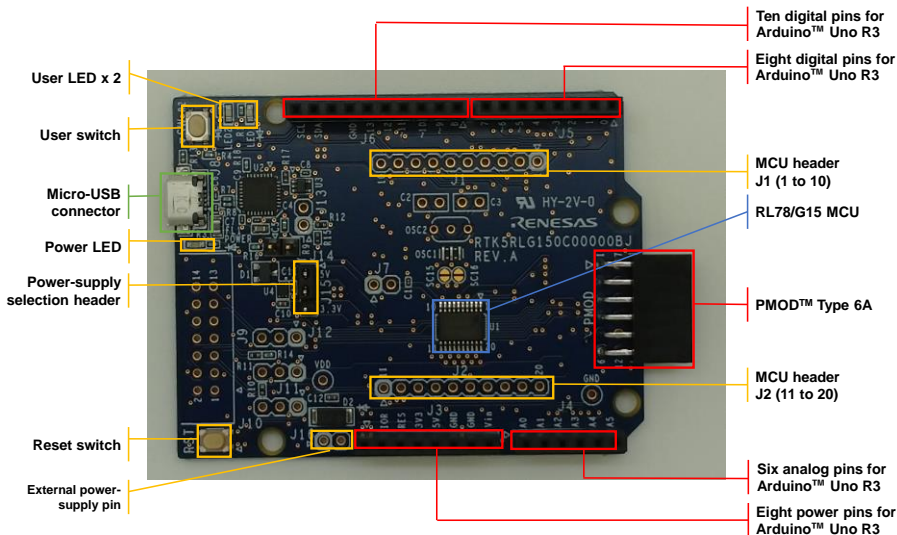
## (2) Package components

RL78/G15 Fast Prototyping Board (RTK5RLG150C00000BJ) and Quick Start Guide (this document)

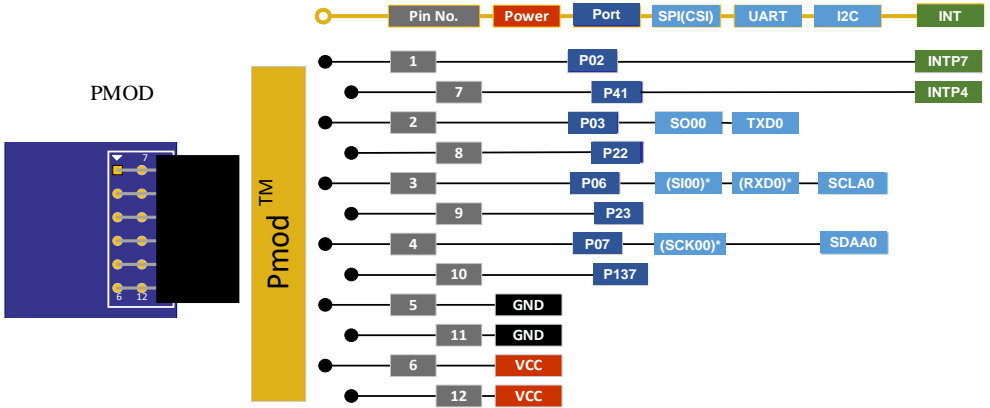
## (3) Table of board specifications

| Item                       | Specification  |
|----------------------------|--|
| Evaluation MCU<br>RL78/G15 | Part No.: R5F12068ASP; package: 20-pin LSSOP   |
|                            | On-chip memory: 8-KB ROM, 1-KB RAM, 1-KB data flash memory   |
| Push switches              | Reset switch x 1, user switch x 1  |
| LEDs                       | Power indicator: green x 1, user: green x 2  |
| Pmod™ connectors           | Connectors: Angle type, 12 pins x 1  |
| Arduino™ connectors        | Connectors: 6 pins x 1, 8 pins x 2, 10 pins x 1<br>The interfaces are compatible with Arduino™ UNO R3. |

## (4) Parts layout

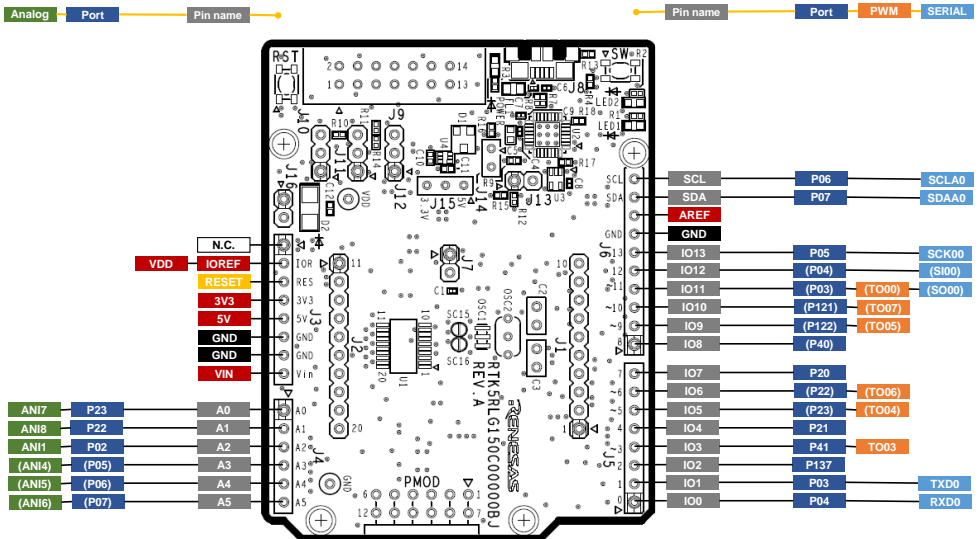


## (5) Pmod™ interface



\*requires switching the wiring by using the short-circuit pads.

## (6) Arduino™ interface



Short-circuit the short-circuit pads for signals with names enclosed in parentheses, “()”.