

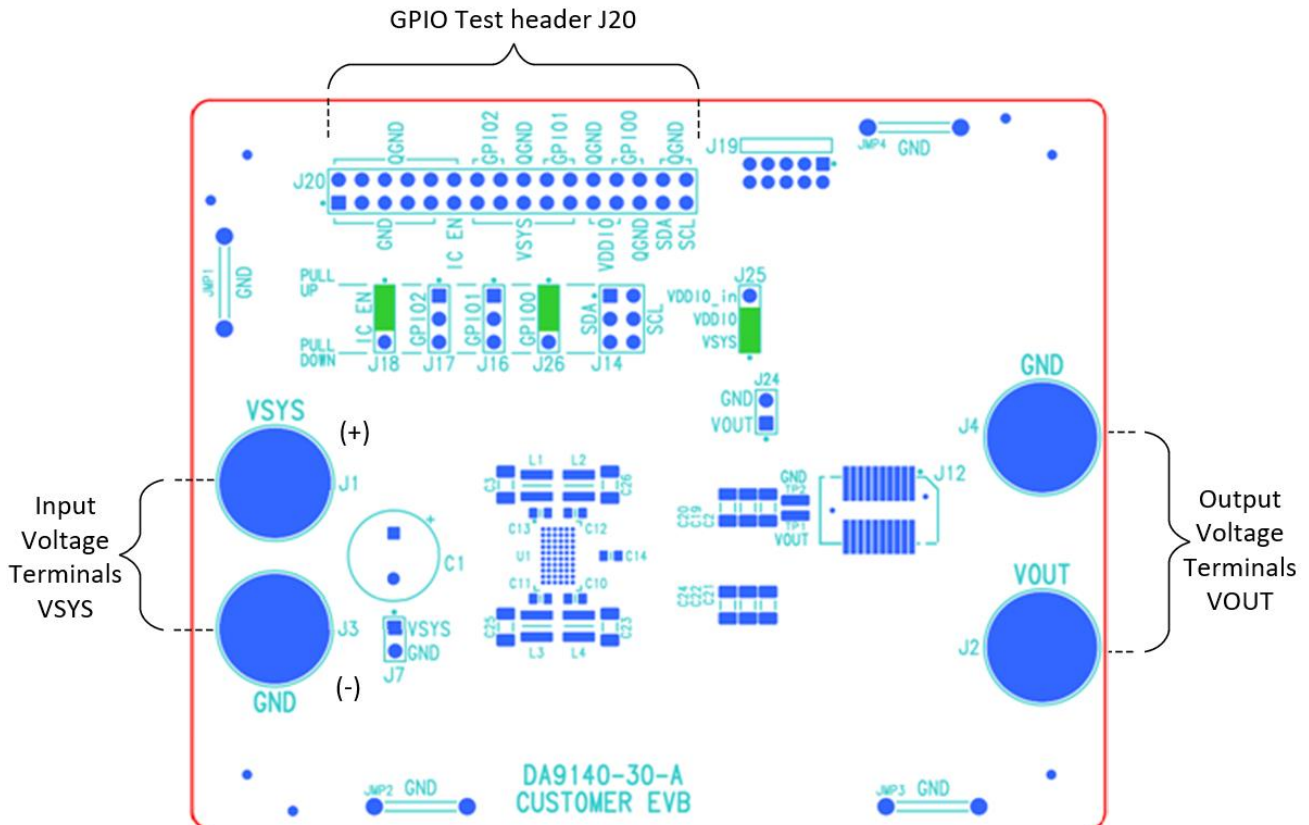
### Quick Guide DA914x Evaluation Board

## 1 Quick Start

This guide helps to get started with the DA914x Customer Evaluation Board (EVB).

Before using the EVB it is recommended to verify that the four banana plugs are properly tightened (150N.cm max. recommended), as they can come loose during shipping.

The floor plan of the EVB in [Figure 1](#) helps to locate the input and output plugs as well as the jumper default positions.



**Figure 1: DA914x-30 Jumpers and Headers Location**

The default jumper positions from the table below are highlighted green in [Figure 1](#) above.

**Table 1: Jumpers and Headers Overview**

Connection	Description	Information	Location
J18	IC_EN	Jumper fitted to pull-up position	Left of EVB
J25	VSYS - VDDIO	Jumper fitted to VDDIO - VSYS position	Right of EVB
J1	VSYS	Supply from PSU, 3.3V - 20A recommended	Left of EVB
J3	GND		
J7	VSYS sense	PSU remote sensing	Left of EVB
J2	VOUT	Buck converter output	Right of EVB
J4	GND		
J24	VOUT sensing	For probing or eLoad remote sensing	Middle of EVB

---

## Quick Guide DA914x Evaluation Board

### 1.1 Instruction

The recommended jumper configuration is depicted in [Table 1](#). IC\_EN needs to be on pull-up position and VDDIO connected to VSYS. A power supply can be connected to VSYS (J2, positive) and GND (J3, return). The supply voltage should be set to 3.3V. The current capability should be at least 10A. A PSU with kelvin sensing capability is preferred in case a load is connected to the buck output. The sense wires of the PSU can be connected to terminal J7. The output voltage can be measured between VOUT (J2) and GND (J4).

Fit the heatsink to the device if supplied with the package.

Further information can be found on the web site [general-purpose-power-management-ics-pmics](https://www.renesas.com/en/products/power-management-ics/pmics)

## IMPORTANT NOTICE AND DISCLAIMER

RENESAS ELECTRONICS CORPORATION AND ITS SUBSIDIARIES (“RENESAS”) PROVIDES TECHNICAL SPECIFICATIONS AND RELIABILITY DATA (INCLUDING DATASHEETS), DESIGN RESOURCES (INCLUDING REFERENCE DESIGNS), APPLICATION OR OTHER DESIGN ADVICE, WEB TOOLS, SAFETY INFORMATION, AND OTHER RESOURCES “AS IS” AND WITH ALL FAULTS, AND DISCLAIMS ALL WARRANTIES, EXPRESS OR IMPLIED, INCLUDING, WITHOUT LIMITATION, ANY IMPLIED WARRANTIES OF MERCHANTABILITY, FITNESS FOR A PARTICULAR PURPOSE, OR NON-INFRINGEMENT OF THIRD-PARTY INTELLECTUAL PROPERTY RIGHTS.

These resources are intended for developers who are designing with Renesas products. You are solely responsible for (1) selecting the appropriate products for your application, (2) designing, validating, and testing your application, and (3) ensuring your application meets applicable standards, and any other safety, security, or other requirements. These resources are subject to change without notice. Renesas grants you permission to use these resources only to develop an application that uses Renesas products. Other reproduction or use of these resources is strictly prohibited. No license is granted to any other Renesas intellectual property or to any third-party intellectual property. Renesas disclaims responsibility for, and you will fully indemnify Renesas and its representatives against, any claims, damages, costs, losses, or liabilities arising from your use of these resources. Renesas' products are provided only subject to Renesas' Terms and Conditions of Sale or other applicable terms agreed to in writing. No use of any Renesas resources expands or otherwise alters any applicable warranties or warranty disclaimers for these products.

(Disclaimer Rev.1.01)

### Corporate Headquarters

TOYOSU FORESIA, 3-2-24 Toyosu,  
Koto-ku, Tokyo 135-0061, Japan  
[www.renesas.com](http://www.renesas.com)

### Trademarks

Renesas and the Renesas logo are trademarks of Renesas Electronics Corporation. All trademarks and registered trademarks are the property of their respective owners.

### Contact Information

For further information on a product, technology, the most up-to-date version of a document, or your nearest sales office, please visit [www.renesas.com/contact-us/](http://www.renesas.com/contact-us/).