

# **IDT 5P49V5907 EVM BOARD**

**REV : 1**

**PAGE 01 : TITLE\_PAGE**

**PAGE 02 : 5P49V5907 CONNECTION**

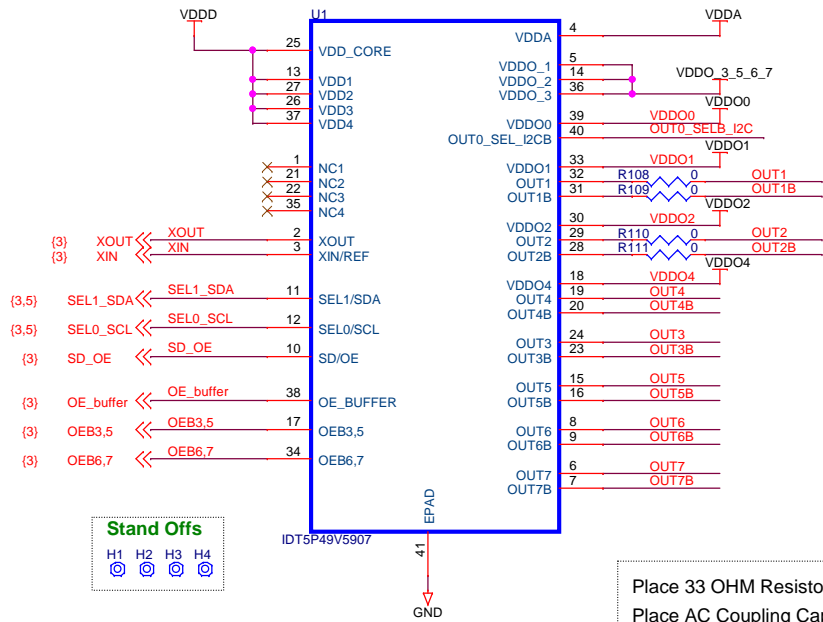
**PAGE 03 : VC5**

**PAGE 04 : POWER CONNECTION**

**PAGE 05 : I2CMODULE**

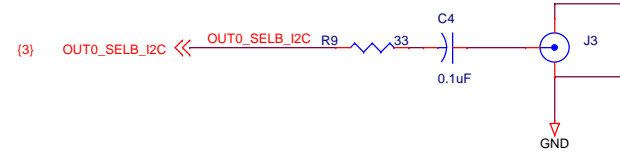
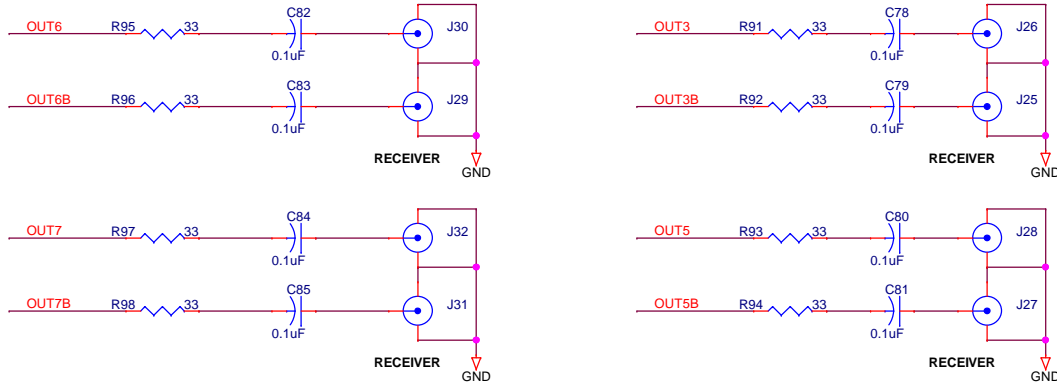
Title		
IDT_5P49V5907_EVM_BOARD_REV1		
Size	Document Number	Rev
B	305-PD-15-0204	1
Date:	Friday, May 22, 2015	Sheet 1 of 5

# 5P49V5907 CONNECTIONS

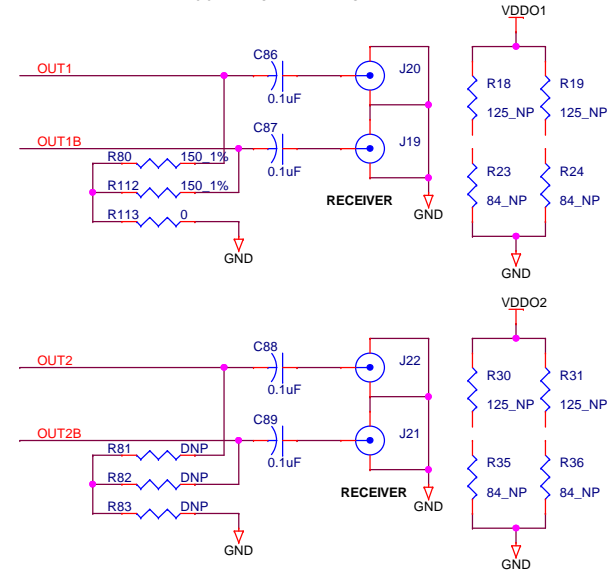


Place 33 OHM Resistors Closed to Main Device  
Place AC Coupling Capacitors Close to SMA

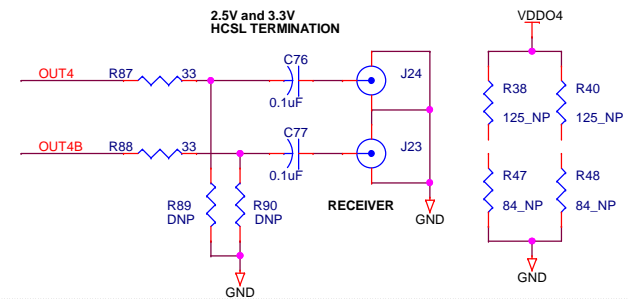
## LP HCSSL TERMINATION



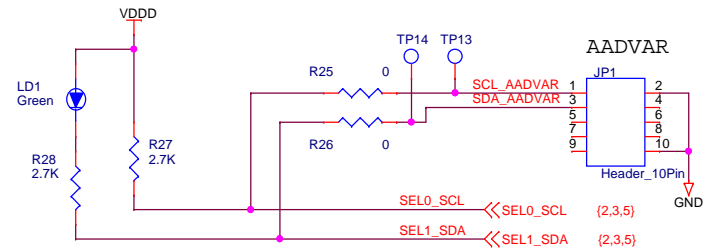
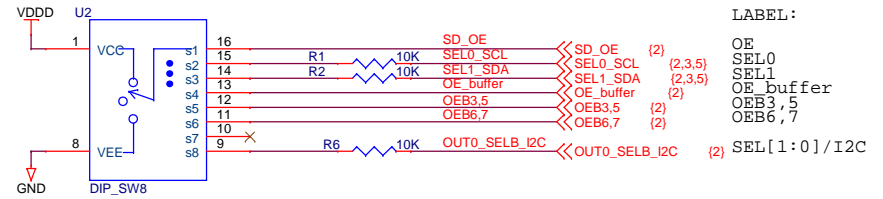
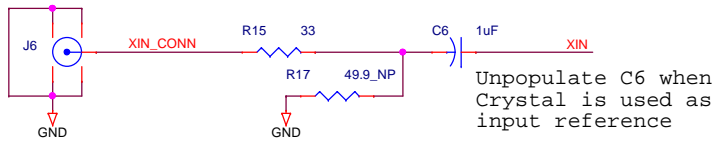
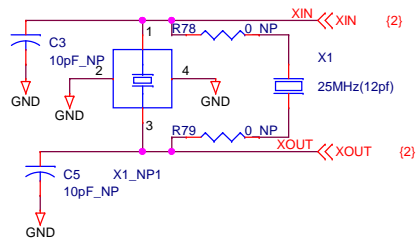
## 3.3V LVPECL TERMINATION



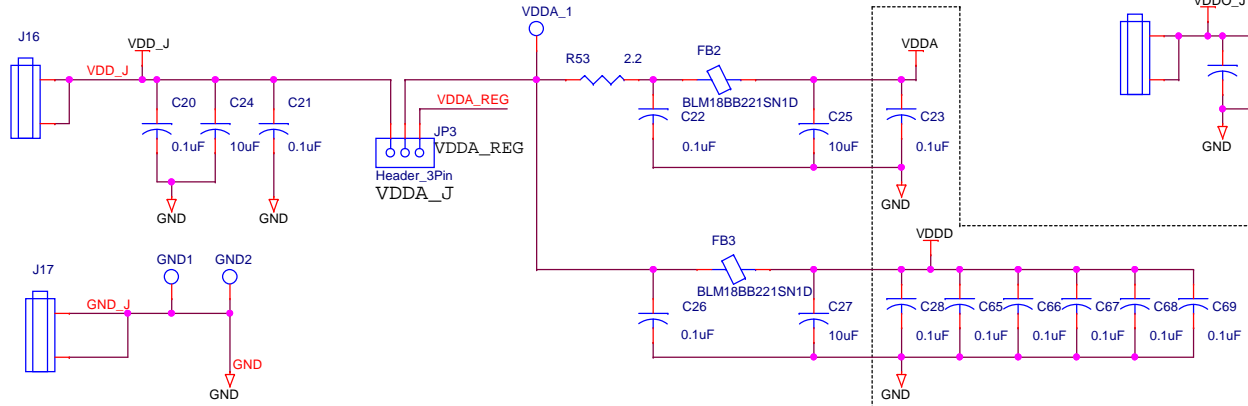
## 2.5V and 3.3V HCSSL TERMINATION



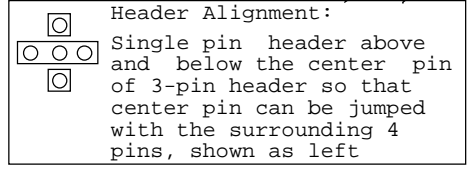
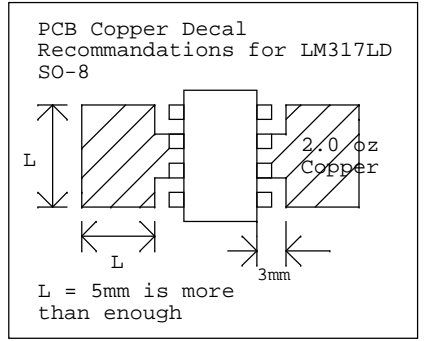
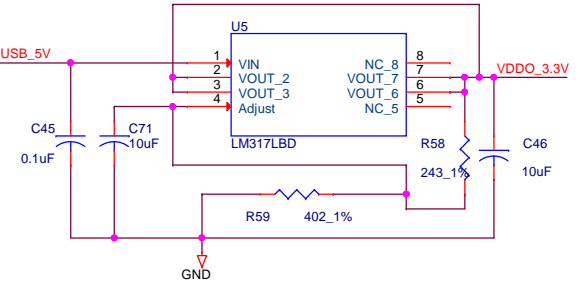
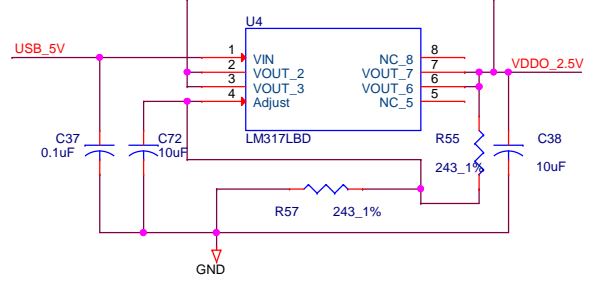
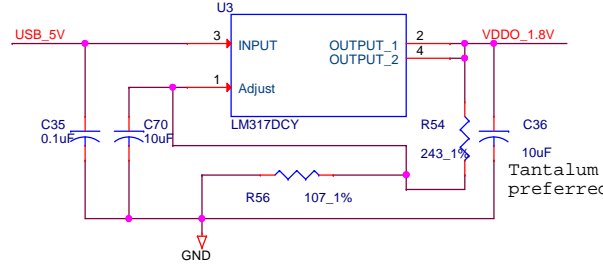
Place 33 OHM Resistors  
Closed to Main Device  
R89 & R90 Should  
Closer to the SMA



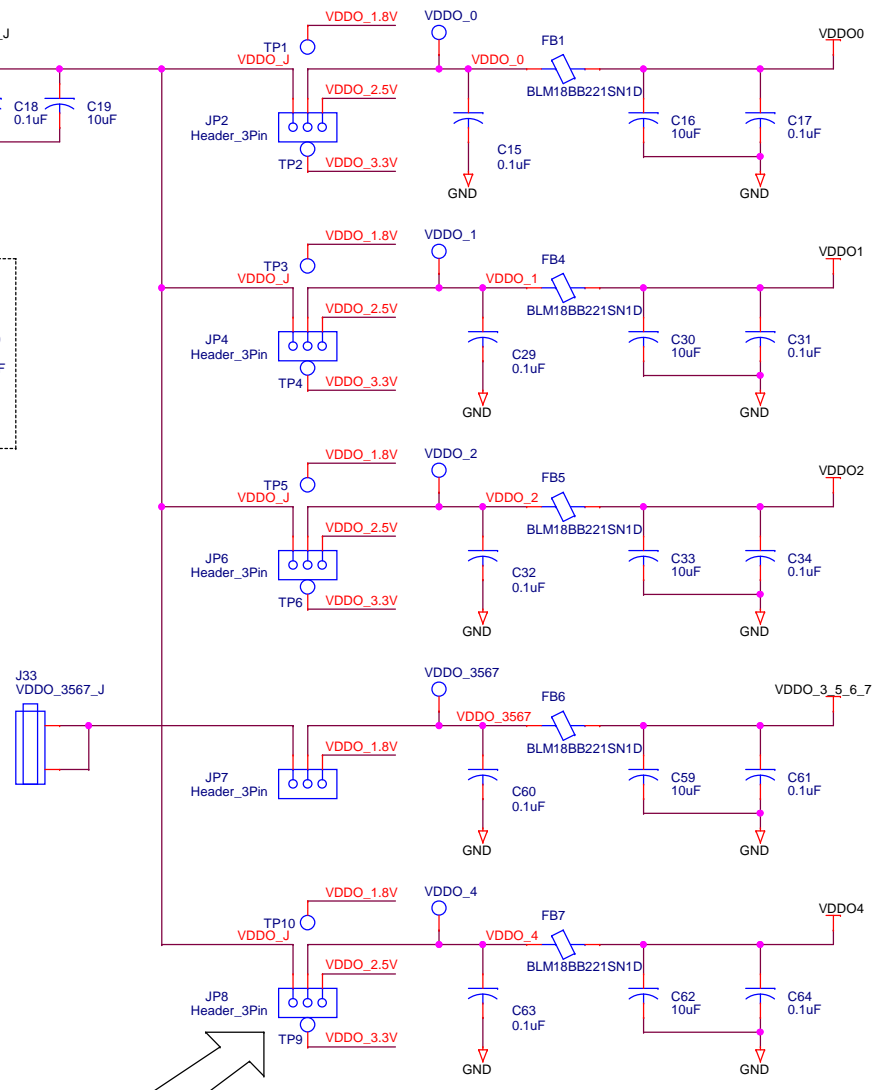
LABEL AS INDICATED FOR 3-PIN HEADERS



Locate near  
DUT power pin

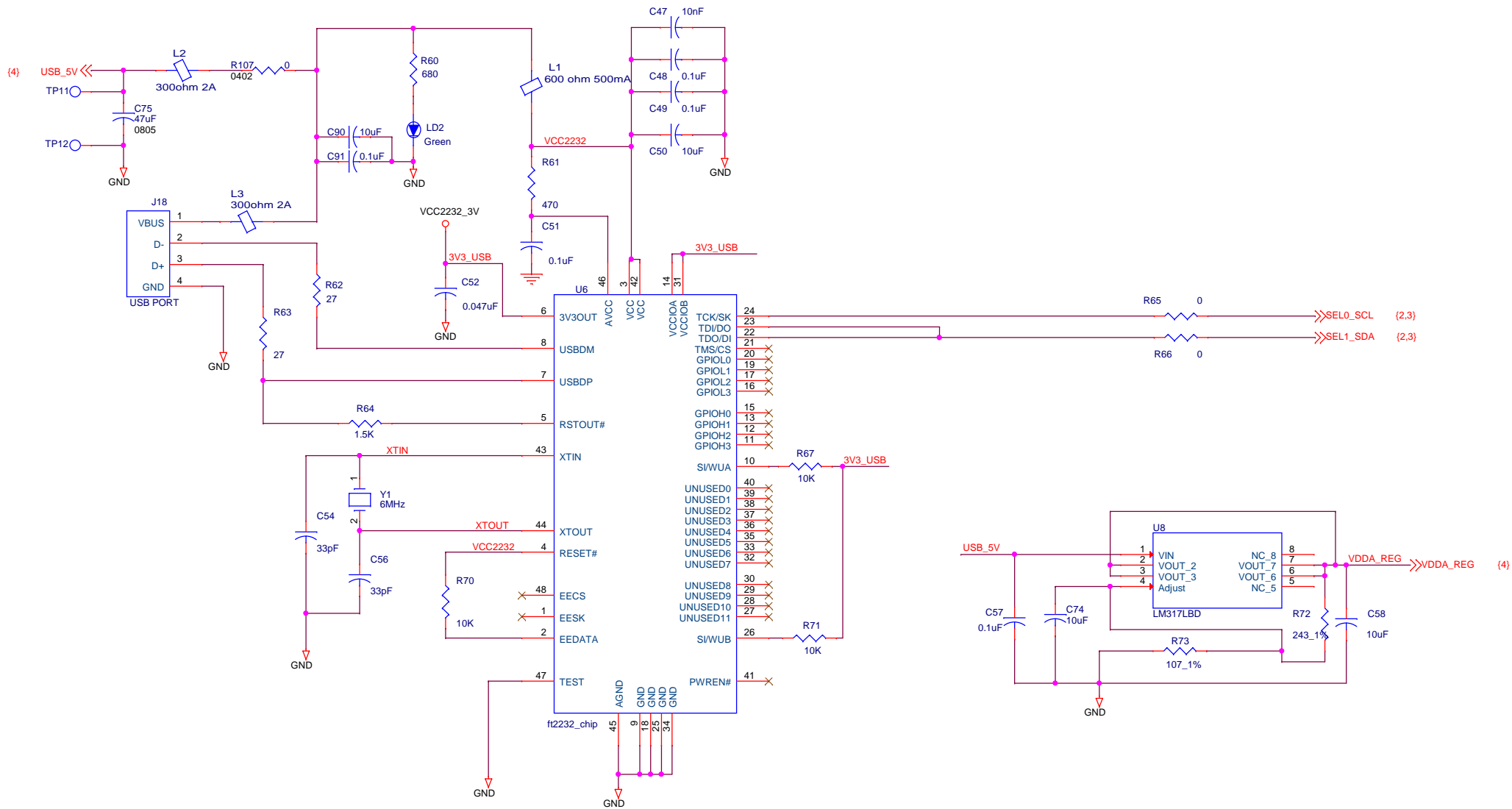


LABEL ON EACH RESPECTIVE PIN OF HEADERS: 1.8V, 2.5V, 3.3V



USB\_5V << USB\_5V (5)  
VDDA\_REG << VDDA\_REG (5)

Title IDT_5P49V5907_EVM_BOARD_REV1		
Size B	Document Number 305-PD-15-0204	Rev 1
Date: Friday, May 22, 2015	Sheet 4	of 5



Title		
IDT_5P49V5907_EVM_BOARD_REV1		
Size	Document Number	Rev
B	305-PD-15-0204	1
Date:	Friday, May 22, 2015	Sheet 5 of 5