

**IDT 5P49V5908 EVM BOARD  
REV : 1**

**PAGE 01 : TITLE\_PAGE**

**PAGE 02 : 5P49V5908 CONNECTION**

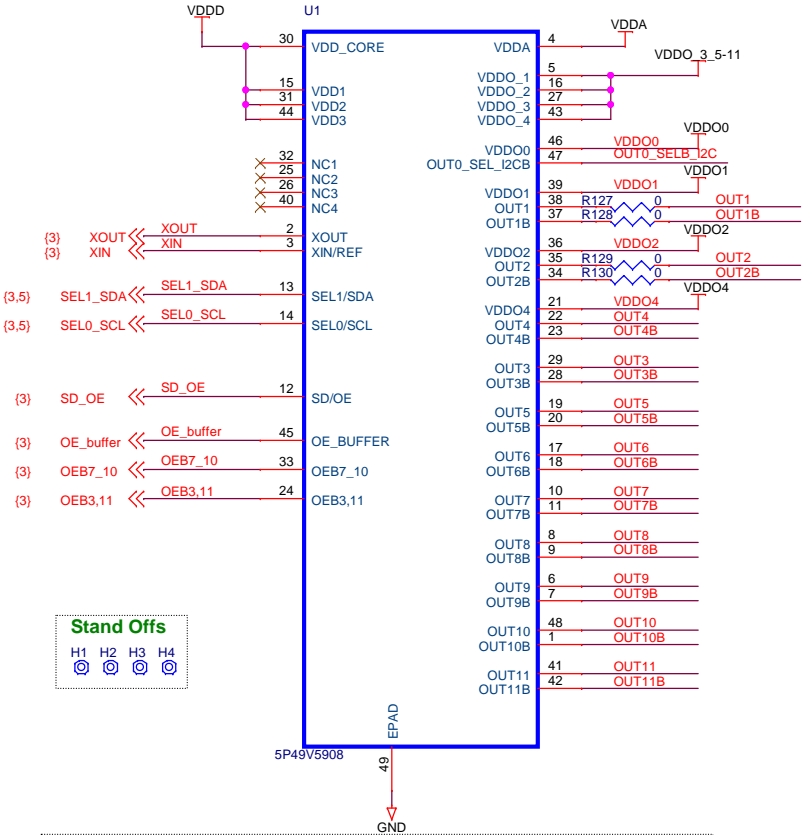
**PAGE 03 : VC5**

**PAGE 04 : POWER CONNECTION**

**PAGE 05 : I2CMODULE**

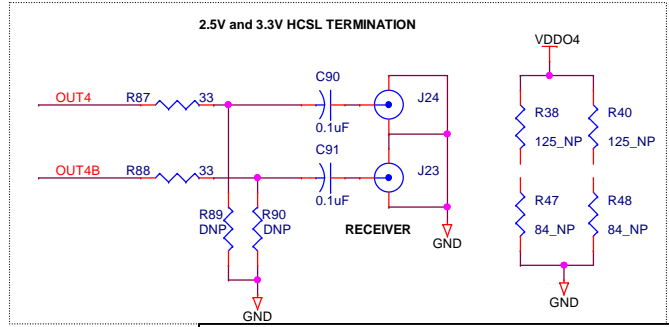
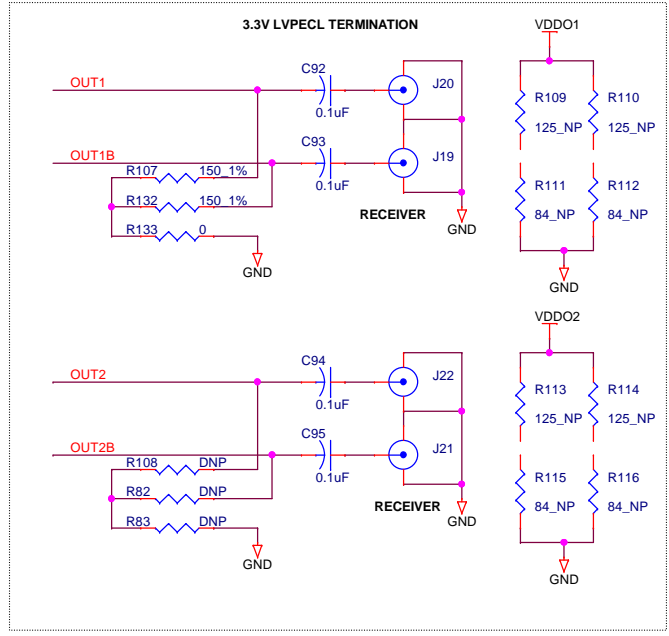
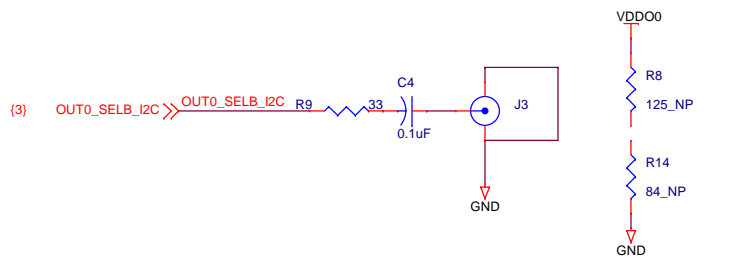
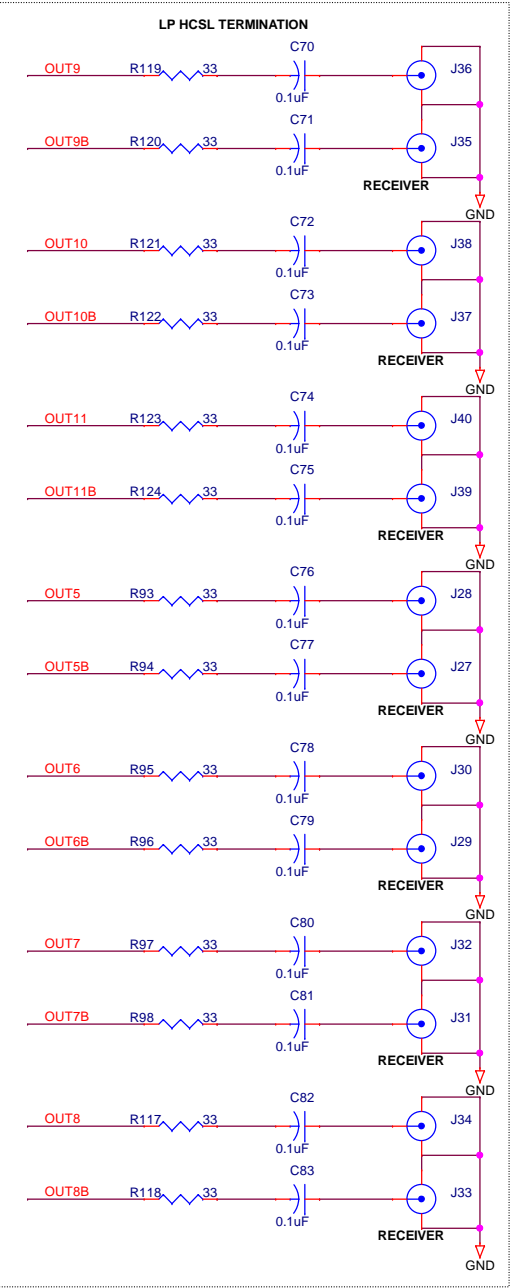
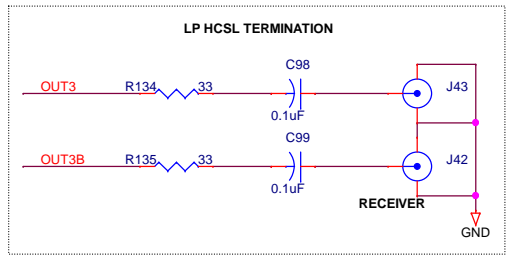
Title		
IDT_5P49V5908 EVM_BOARD_REV1		
Size	Document Number	Rev
B	305-PD-15-0209	1
Date:	Friday, May 22, 2015	Sheet 1 of 5

# 5P49V5908 CONNECTIONS

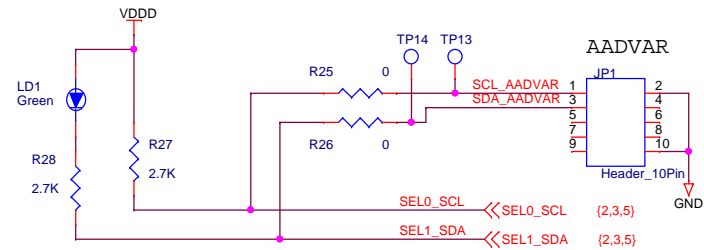
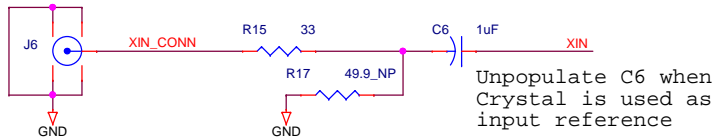
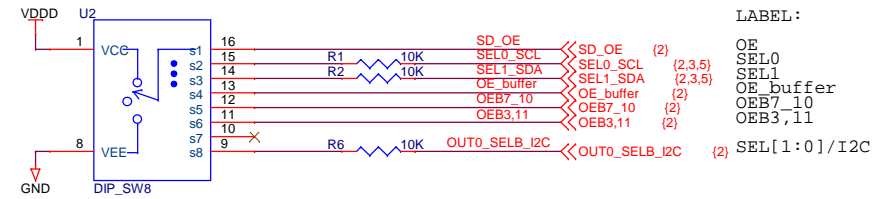
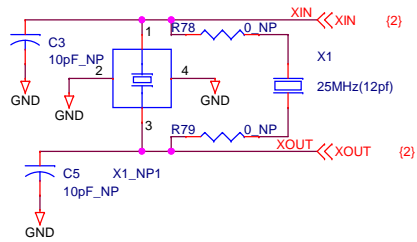


Place 33 OHM Resistors Close to Main Device For LP HCSSL TERMINATION  
Place AC Coupling Capacitors Close to SMA

Place R87 & R88 33 OHM Resistors Close to Main Device For HCSSL TERMINATION  
R89 & R90 Should Closer to the SMA

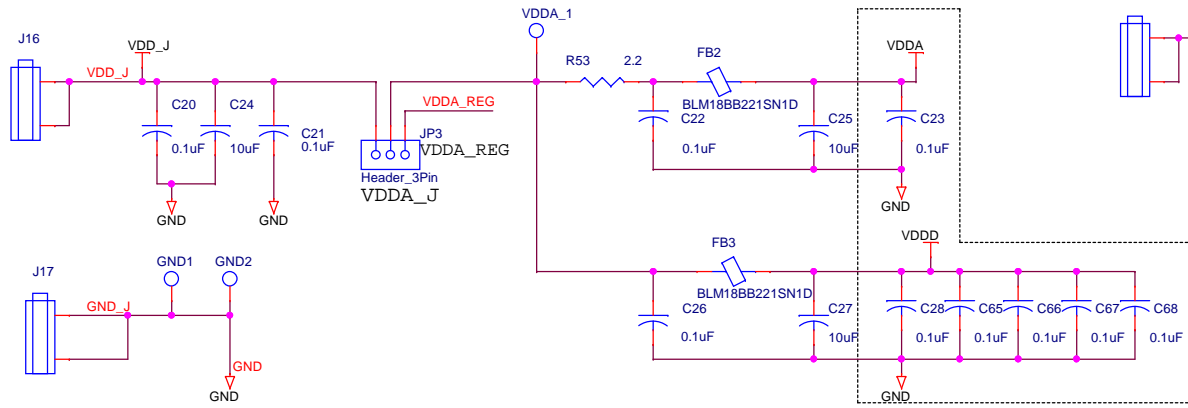


Title		
IDT_5P49V5908 EVM_BOARD_REV1		
Size	Document Number	Rev
B	305-PD-15-0209	1
Date:	Friday, May 22, 2015	Sheet 2 of 5

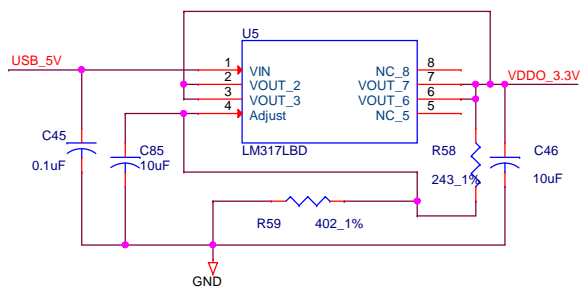
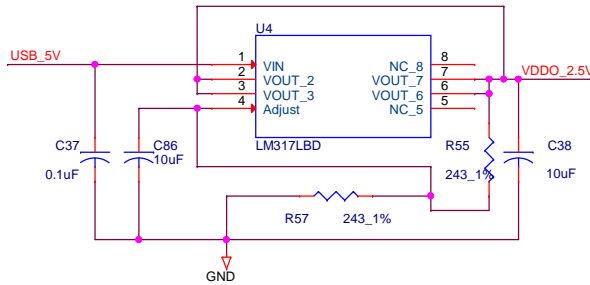
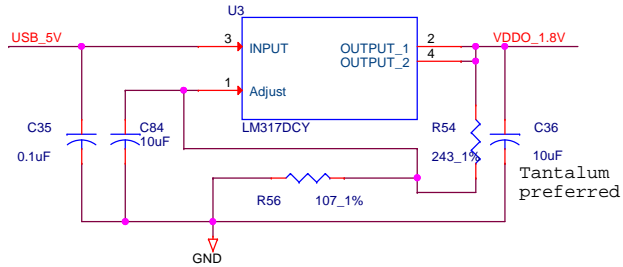


Title		
IDT_5P49V5908 EVM_BOARD_REV1		
Size	Document Number	Rev
B	305-PD-15-0209	1
Date:	Friday, May 22, 2015	Sheet 3 of 5

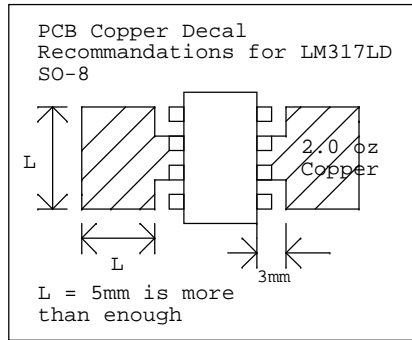
LABEL AS INDICATED FOR 3-PIN HEADERS



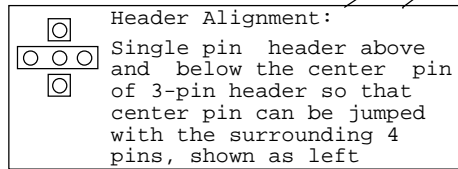
Locate near  
DUT power pin



USB\_5V << USB\_5V (5)  
VDDA\_REG << VDDA\_REG (5)



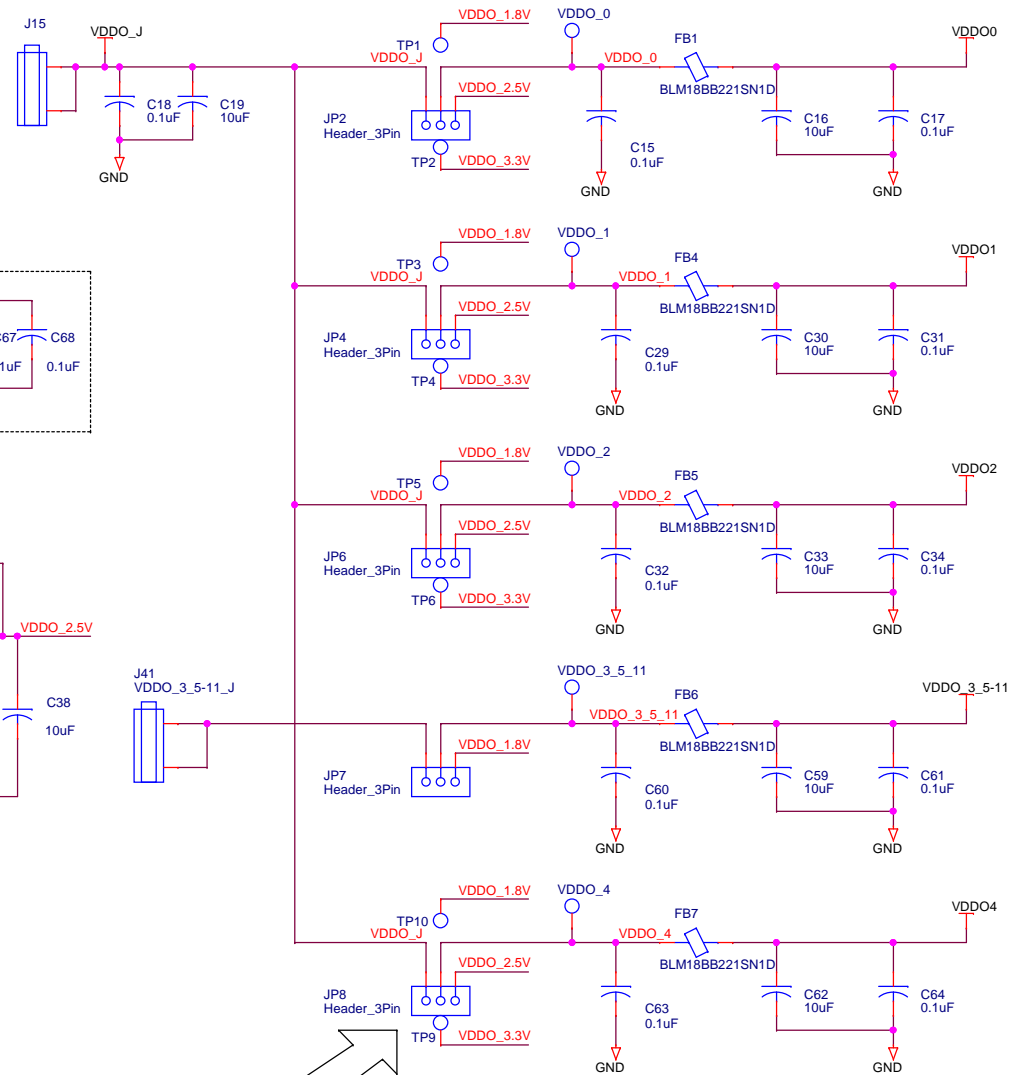
L = 5mm is more than enough



Header Alignment:

Single pin header above and below the center pin of 3-pin header so that center pin can be jumped with the surrounding 4 pins, shown as left

LABEL ON EACH RESPECTIVE PIN OF HEADERS: 1.8V, 2.5V, 3.3V



Title		
IDT_5P49V5908 EVM_BOARD_REV1		
Size B	Document Number	Rev 1
	305-PD-15-0209	
Date:	Friday, May 22, 2015	Sheet 4 of 5

