

8

7

6

5

4

3

2

1

REVISIONS

DCN	REV	DESCRIPTION	DATE	CHANGE BY
	B	INITIAL RELEASE	2010-10-20	D. HUANG

IDT 89HP0602Q (20-QFN) USB 3.0 EVALUATION BOARDS

TABLE OF CONTENTS

89HP0602Q, POWER.....2

89HP0602Q, USB CONNECTORS.....3



CONFIDENTIAL PROPERTY OF INTEGRATED DEVICE TECHNOLOGY, INC.
 6024 SILVER CREEK VALLEY ROAD, SAN JOSE, CA 95138
 COPYRIGHT (C) 2010 IDT

TITLE			
89HP0602Q Evaluation Boards			
SIZE	DRAWING NO.	FAB P/N	REV.
B	P0602Q-U/S-EB-001	18-702-001	B
AUTHOR		CHECKED BY	
K. Leung		D. Huang	
Thu Oct 21 00:31:38 2010			SHEET 1 OF 3

8

7

6

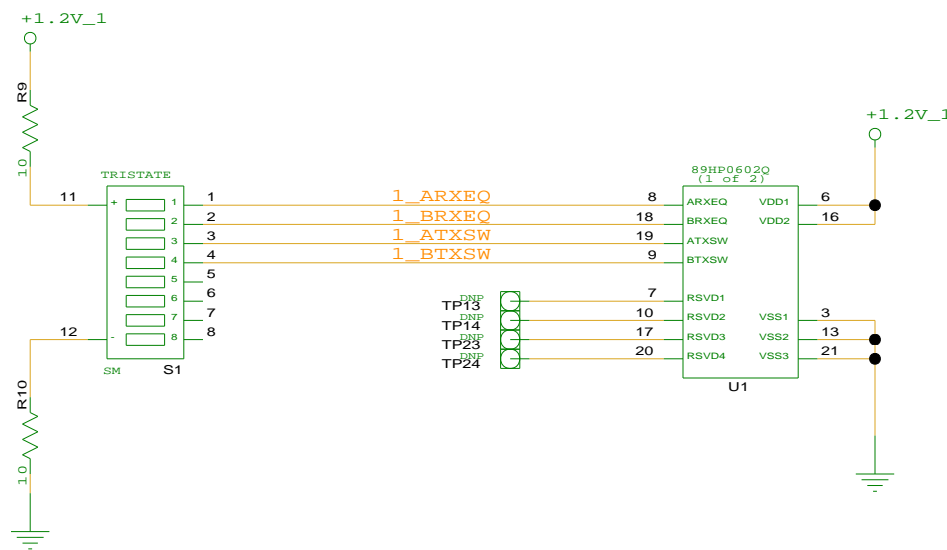
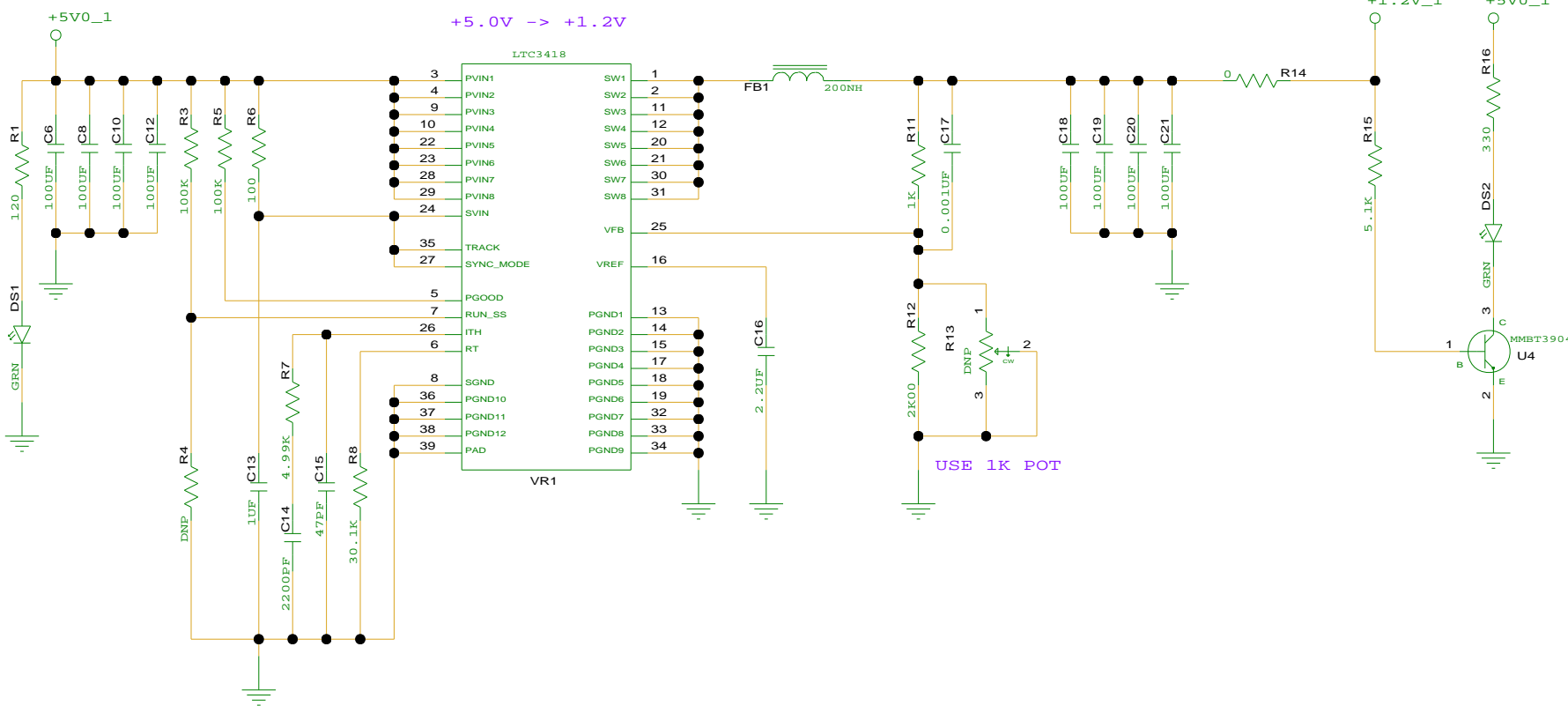
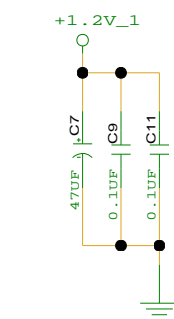
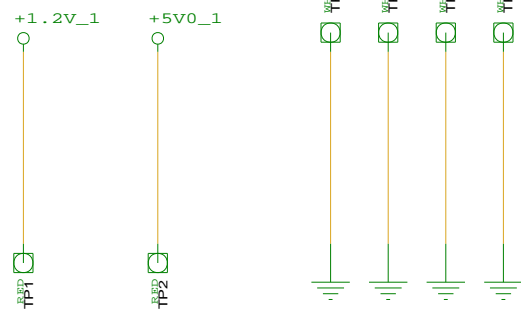
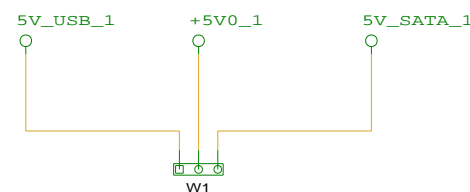
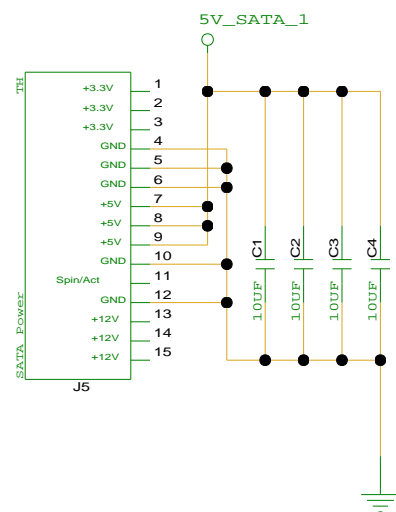
5


4

3

2

1



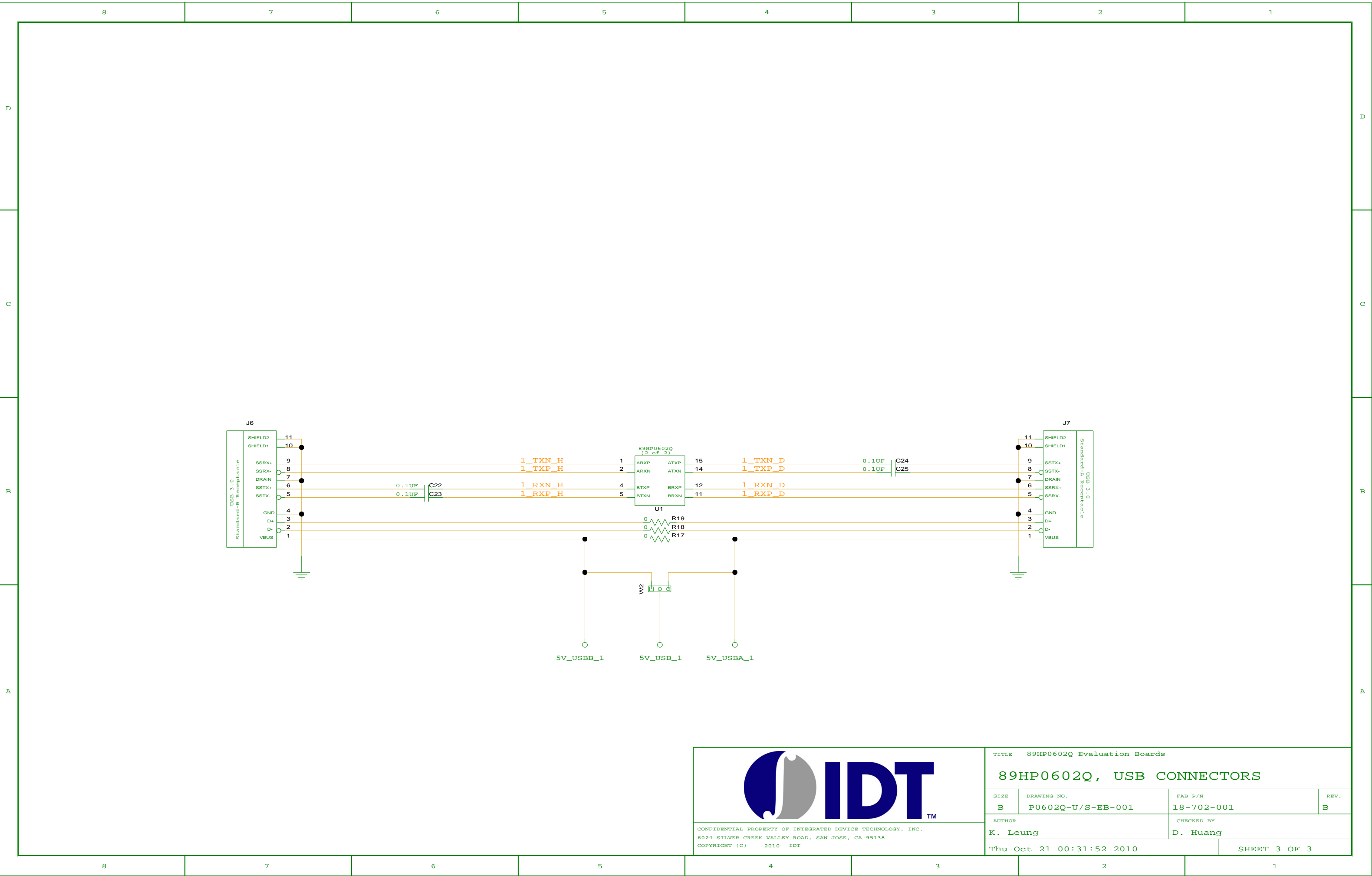


CONFIDENTIAL PROPERTY OF INTEGRATED DEVICE TECHNOLOGY, INC.
6024 SILVER CREEK VALLEY ROAD, SAN JOSE, CA 95138
COPYRIGHT (C) 2010 IDT

TITLE 89HP0602Q Evaluation Boards

89HP0602Q, POWER

SIZE	DRAWING NO.	FAB P/N	REV.
B	P0602Q-U/S-EB-001	18-702-001	B
AUTHOR		CHECKED BY	
K. Leung		D. Huang	
Thu Oct 21 00:31:52 2010			SHEET 2 OF 3



CONFIDENTIAL PROPERTY OF INTEGRATED DEVICE TECHNOLOGY, INC.
 6024 SILVER CREEK VALLEY ROAD, SAN JOSE, CA 95138
 COPYRIGHT (C) 2010 IDT

TITLE 89HP0602Q Evaluation Boards			
89HP0602Q, USB CONNECTORS			
SIZE	DRAWING NO.	FAB P/N	REV.
B	P0602Q-U/S-EB-001	18-702-001	B
AUTHOR		CHECKED BY	
K. Leung		D. Huang	
Thu Oct 21 00:31:52 2010			SHEET 3 OF 3