


REVISIONS				
DCN	REV	DESCRIPTION	DATE	CHANGE BY
	1.0	INITIAL RELEASE	2009-12-05	T. TRAN

1. TITLE PAGE / TABLE OF CONTENTS

- | | |
|--|--|
| <ul style="list-style-type: none"> 2. MEZZANINE CONNECTOR PORTS 0, 2 3. MEZZANINE CONNECTOR PORTS 4, 6 4. MEZZANINE CONNECTOR PORTS 8, 12 5. MEZZANINE CONNECTOR PORTS 16, 20 6. 32NT24AG2 - SERDES 7. 32NT24AG2 - CLK, CONFIG, GPIO 8. 32NT24AG2 - POWER, GND 9. IOEXPANDER 0-3 10. IOEXPANDER 4-7 11. IOEXPANDER 8-11 12. IOEXPANDER 12-13 13. IOEXPANDER 16-19 14. IOEXPANDER 20-21 15. HOT PLUG CONTROL PORTS 0-2 16. HOT PLUG CONTROL PORTS 4-6 17. HOT PLUG CONTROL PORTS 8-12 18. HOT PLUG CONTROL PORTS 16-20 19. SLOT RESETS AND WAKE PULL-UPS 20. CLOCK GENERATOR / SOURCE INPUT 21. CLOCK BUFFER - 1 22. CLOCK SELECTOR - DUT PCLK 0-20, GCLK 1-2 23. CLOCK SELECTOR - SLOTS 0-20 24. POWER CONNECTORS 25. POWER REGULATOR - VDDIO 26. POWER REGULATOR - VDDCORE 27. POWER REGULATOR - VDDPEA 28. POWER REGULATOR - VDDPEHA 29. POWER REGULATOR - VDDPETA | <ul style="list-style-type: none"> 30. RESET, SMBUS, EEPROM, JTAG 31. DIP SWITCHES 32. LED - PORT STATUS (1 OF 7) 33. LED - PORT STATUS (2 OF 7) 34. LED - PORT STATUS (3 OF 7) 35. LED - PORT STATUS (4 OF 7) 36. LED - PORT STATUS (5 OF 7) 37. LED - PORT STATUS (6 OF 7) 38. LED - PORT STATUS (7 OF 7) 39. MIN LOAD RESISTORS 40. 12PK RIBBON CONNECTORS 41. PARTITION RESET SELECT HEADERS 42. SLOT RESET SELECT HEADERS 43. PORT 0 CLOCK GENERATOR 44. PORT 2 CLOCK GENERATOR 45. PORT 4 CLOCK GENERATOR 46. PORT 6 CLOCK GENERATOR 47. PORT 8 CLOCK GENERATOR 48. PORT 12 CLOCK GENERATOR 49. PORT 16 CLOCK GENERATOR 50. PORT 20 CLOCK GENERATOR |
|--|--|

		TITLE EB-LOGAN-23	
SIZE B	DRAWING NO. SCH-PESEB-001	FAB P/N 18-691-000	REV. 1.1
AUTHOR Tony Tran		CHECKED BY Derek Huang	
CONFIDENTIAL PROPERTY OF INTEGRATED DEVICE TECHNOLOGY, INC. 6024 SILVER CREEK VALLEY ROAD, SAN JOSE, CA 95138 COPYRIGHT (C) 2010 IDT		Mon Apr 19 14:29:53 2010	SHEET 1 OF 50

D

C

B

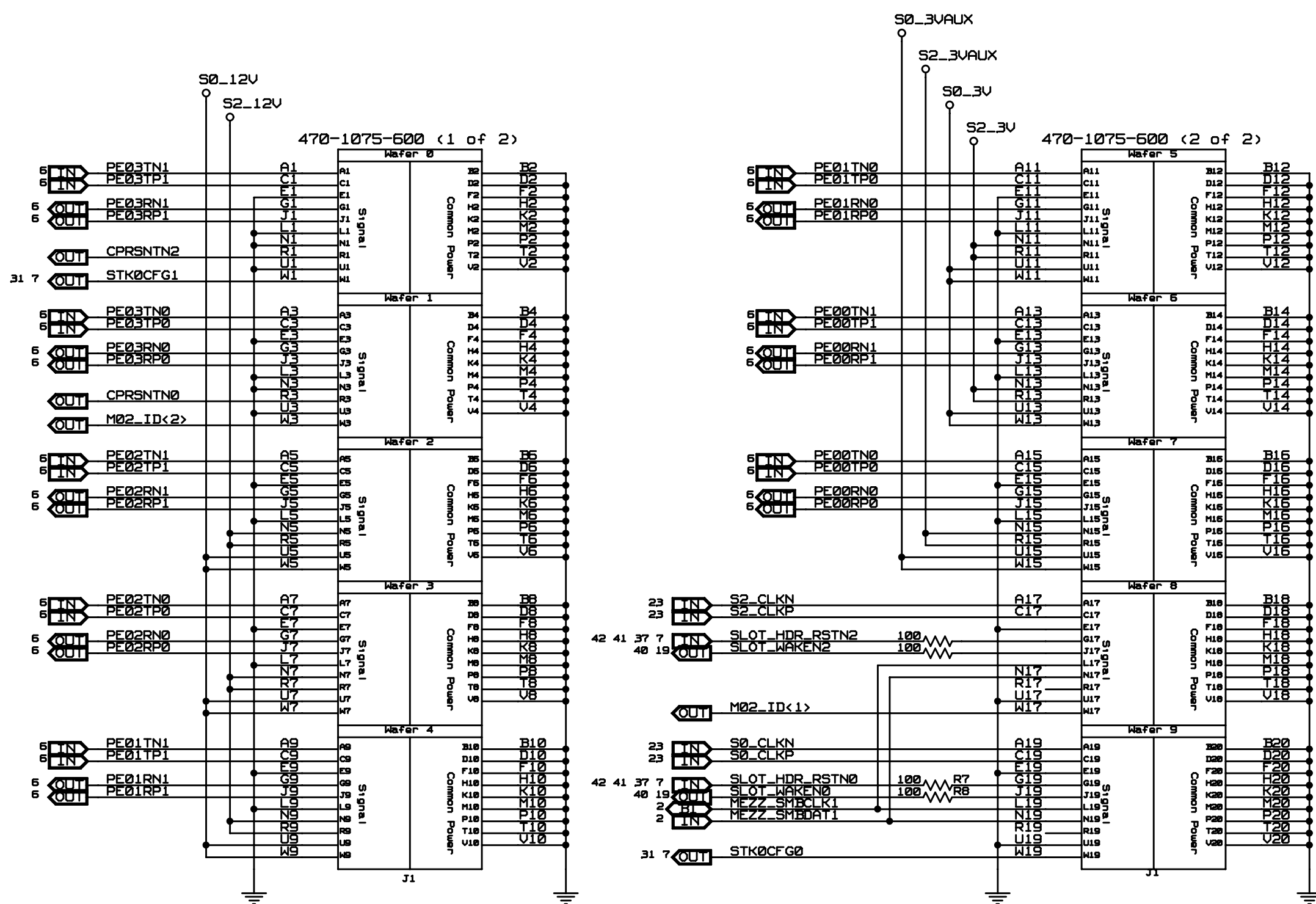
A

D

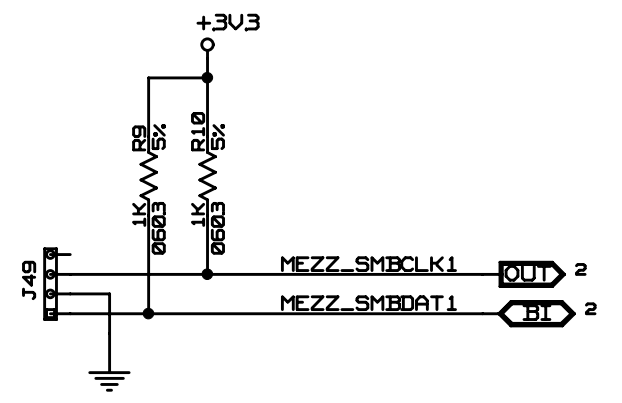
C

B

A

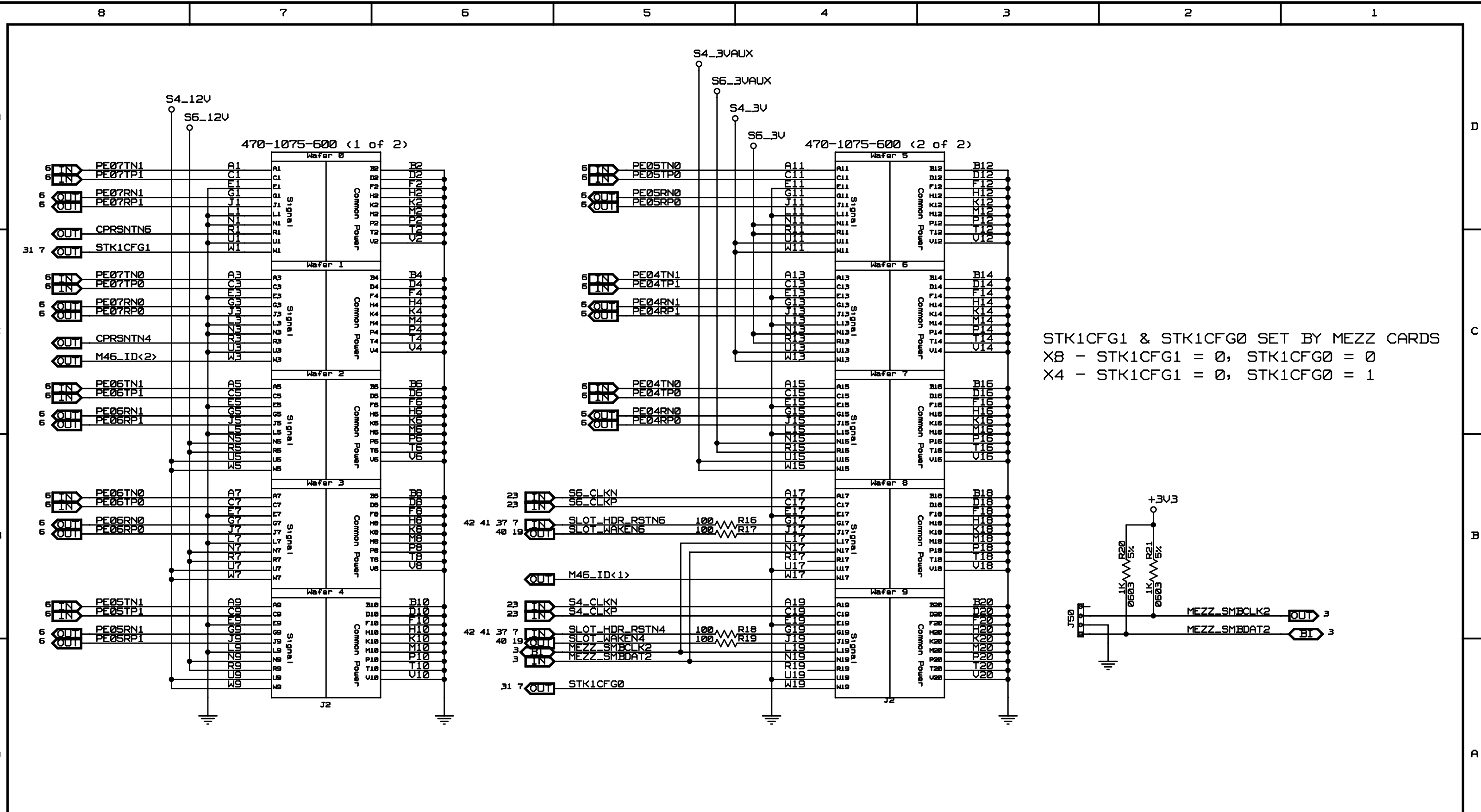


STK0CFG1 & STK0CFG0 SET BY MEZZ CARDS
 X8 - STK0CFG1 = 0, STK0CFG0 = 0
 X4 - STK0CFG1 = 0, STK0CFG0 = 1

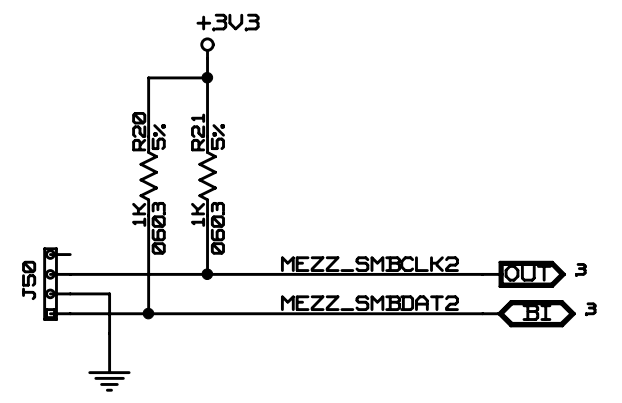


CONFIDENTIAL PROPERTY OF INTEGRATED DEVICE TECHNOLOGY, INC.
 6024 SILVER CREEK VALLEY ROAD, SAN JOSE, CA 95138
 COPYRIGHT (C)2010 IDT

TITLE EB-LOGAN-23			
MEZZANINE CONNECTOR PORTS 0/2			
SIZE B	DRAWING NO. SCH-PESEB-001	FAB P/N 18-691-000	REV. 1.1
AUTHOR Tony Tran		CHECKED BY Derek Huang	
Mon Apr 19 14:30:52 2010			SHEET 2 OF 50

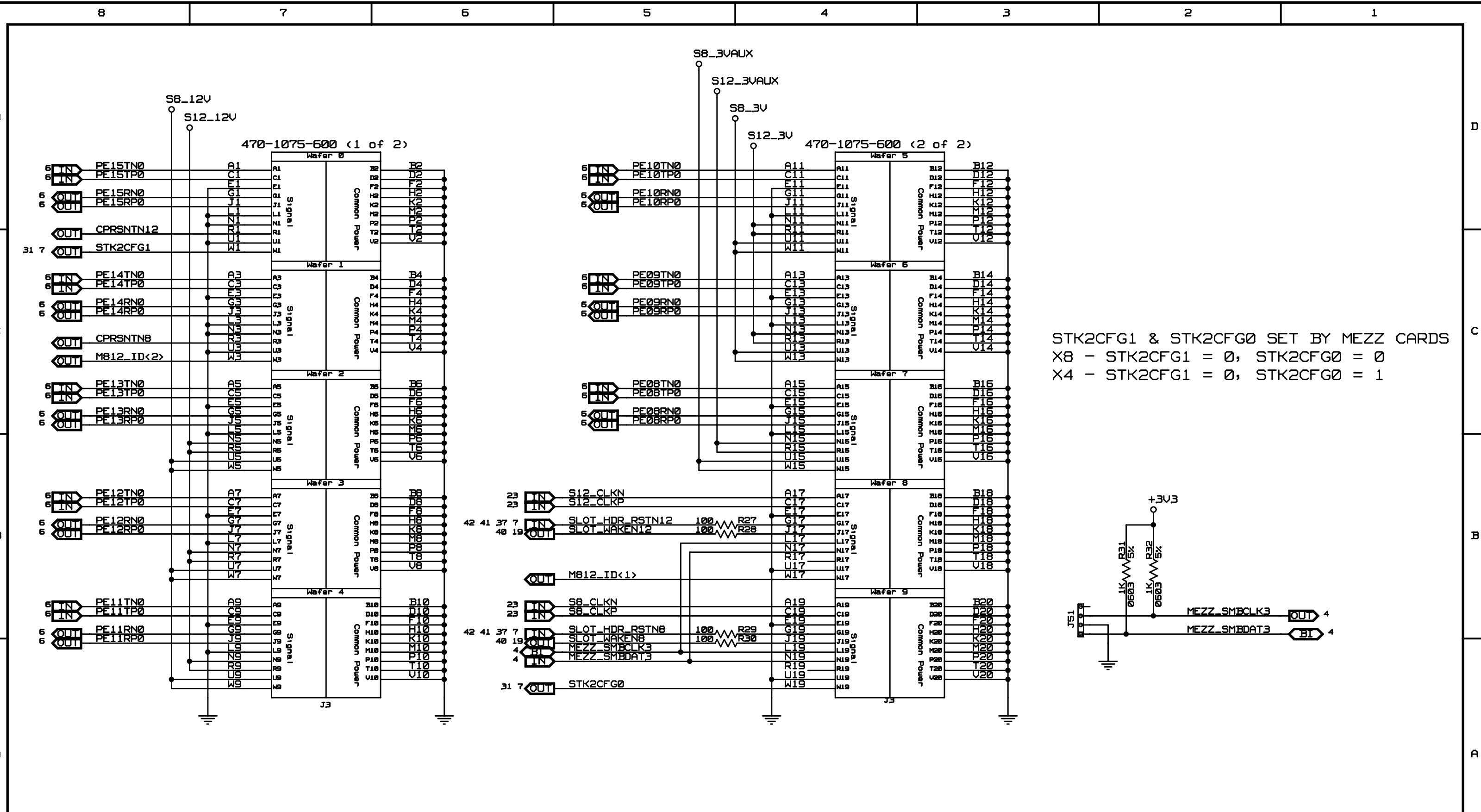


STK1CFG1 & STK1CFG0 SET BY MEZZ CARDS
 X8 - STK1CFG1 = 0, STK1CFG0 = 0
 X4 - STK1CFG1 = 0, STK1CFG0 = 1




CONFIDENTIAL PROPERTY OF INTEGRATED DEVICE TECHNOLOGY, INC.
 6024 SILVER CREEK VALLEY ROAD, SAN JOSE, CA 95138
 COPYRIGHT (C)2010 IDT

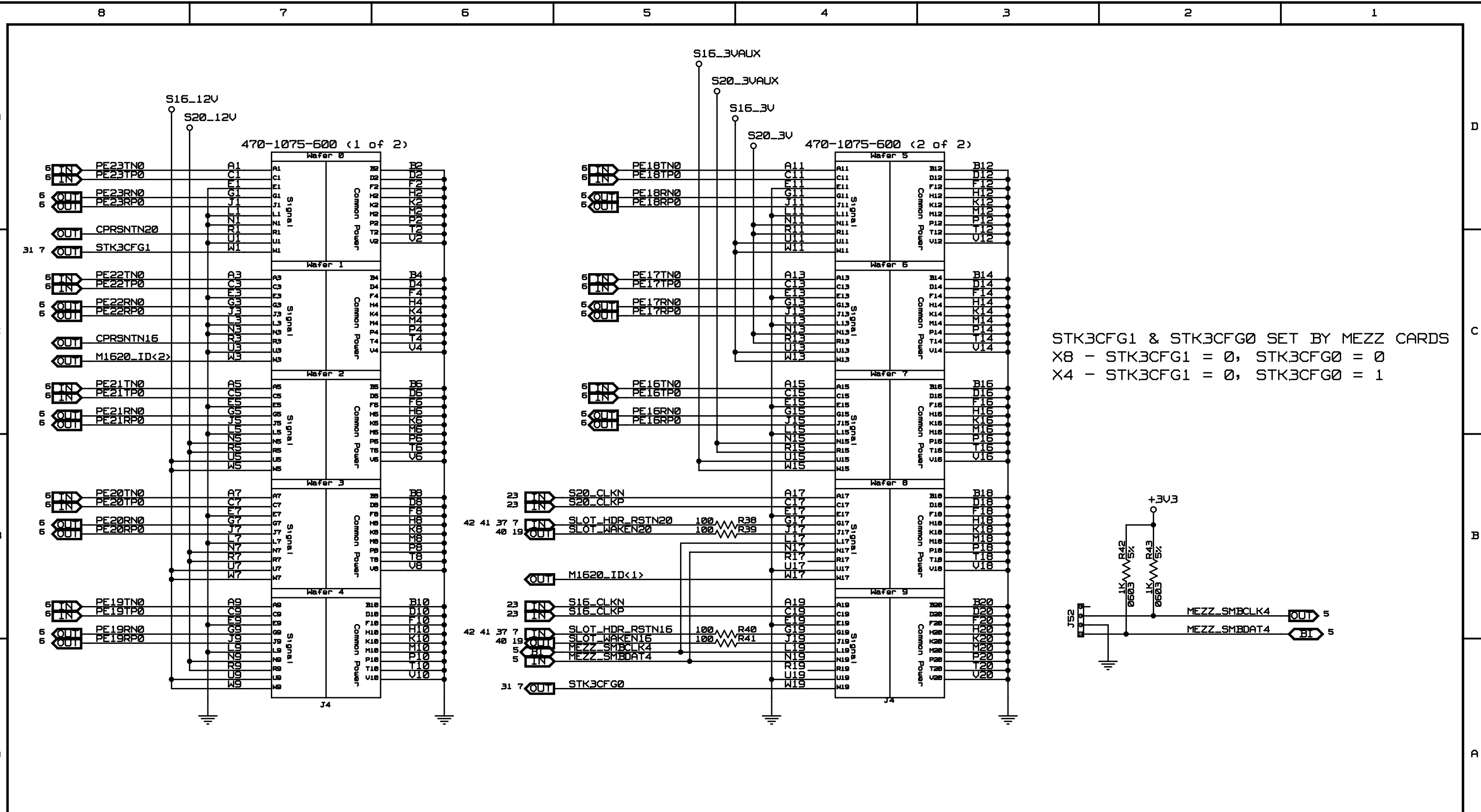
TITLE EB-LOGAN-23			
MEZZANINE CONNECTOR PORTS 4/6			
SIZE B	DRAWING NO. SCH-PESEB-001	FAB P/N 18-691-000	REV. 1.1
AUTHOR Tony Tran		CHECKED BY Derek Huang	
Mon Apr 19 14:30:54 2010			SHEET 3 OF 50




STK2CFG1 & STK2CFG0 SET BY MEZZ CARDS
 X8 - STK2CFG1 = 0, STK2CFG0 = 0
 X4 - STK2CFG1 = 0, STK2CFG0 = 1

		TITLE EB-LOGAN-23	
		MEZZANINE CONNECTOR PORTS 8/12	
SIZE B	DRAWING NO. SCH-PESEB-001	FAB P/N 18-691-000	REV. 1.1
AUTHOR Tony Tran		CHECKED BY Derek Huang	
Mon Apr 19 14:30:56 2010		SHEET 4 OF 50	

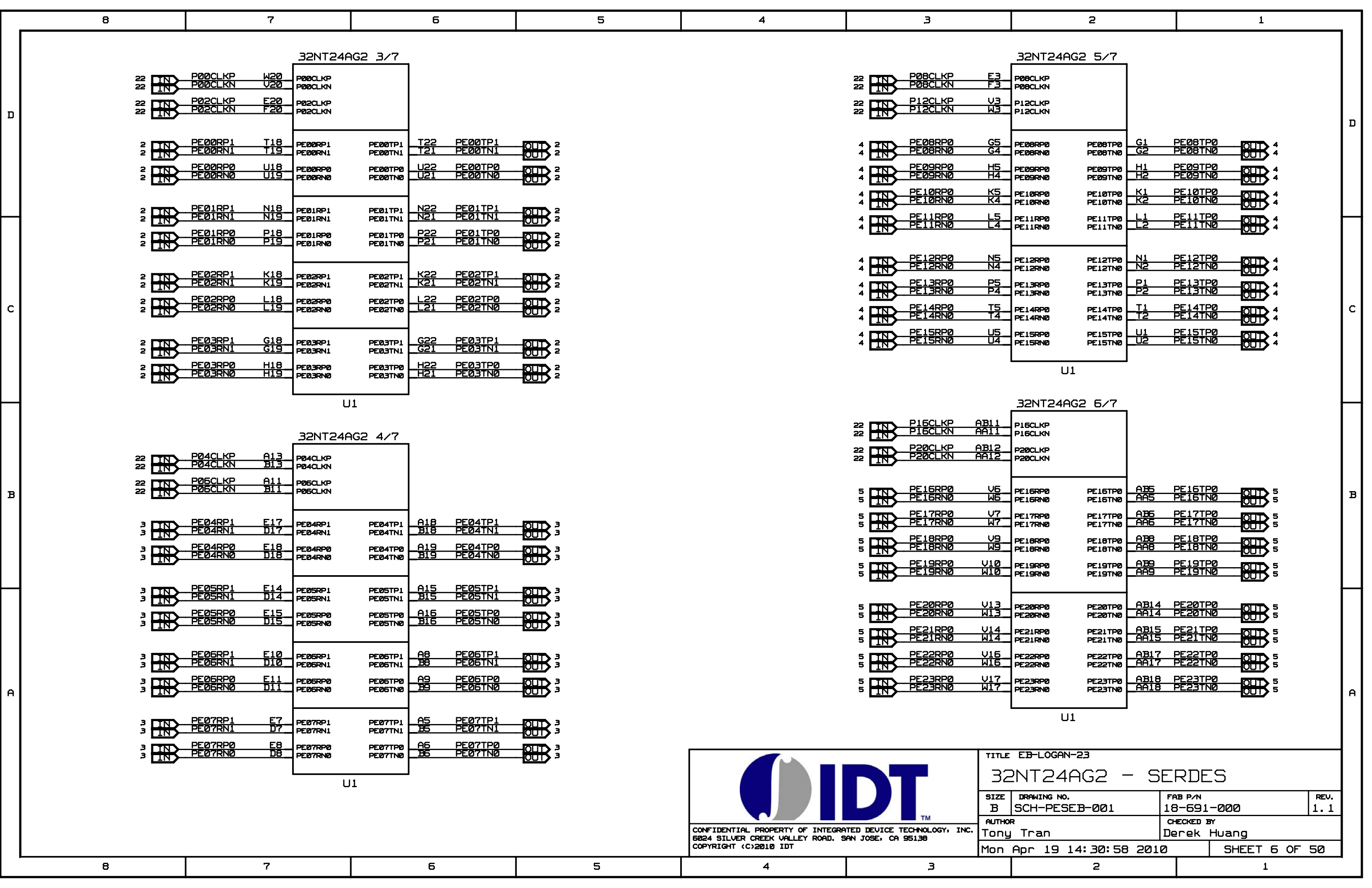
CONFIDENTIAL PROPERTY OF INTEGRATED DEVICE TECHNOLOGY, INC.
 6024 SILVER CREEK VALLEY ROAD, SAN JOSE, CA 95138
 COPYRIGHT (C)2010 IDT



STK3CFG1 & STK3CFG0 SET BY MEZZ CARDS
 X8 - STK3CFG1 = 0, STK3CFG0 = 0
 X4 - STK3CFG1 = 0, STK3CFG0 = 1

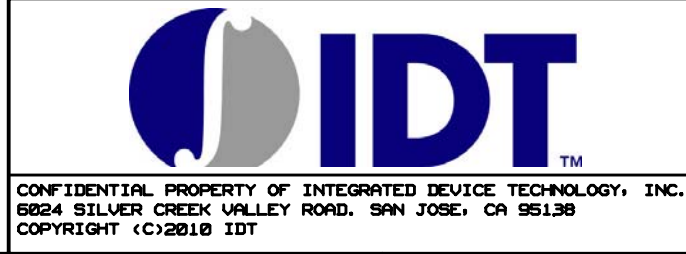
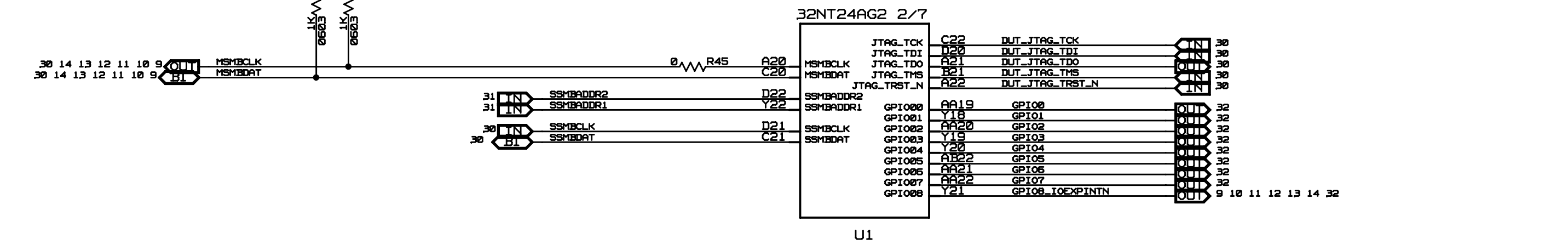
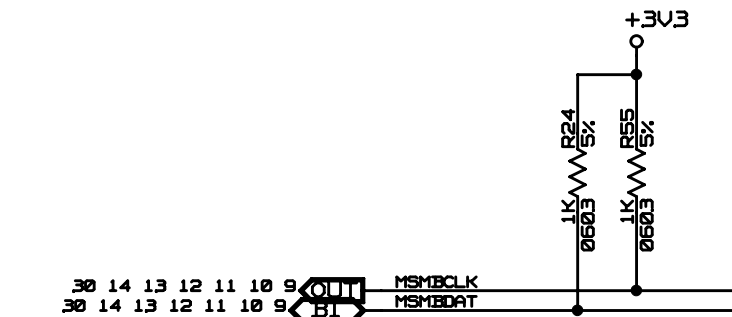
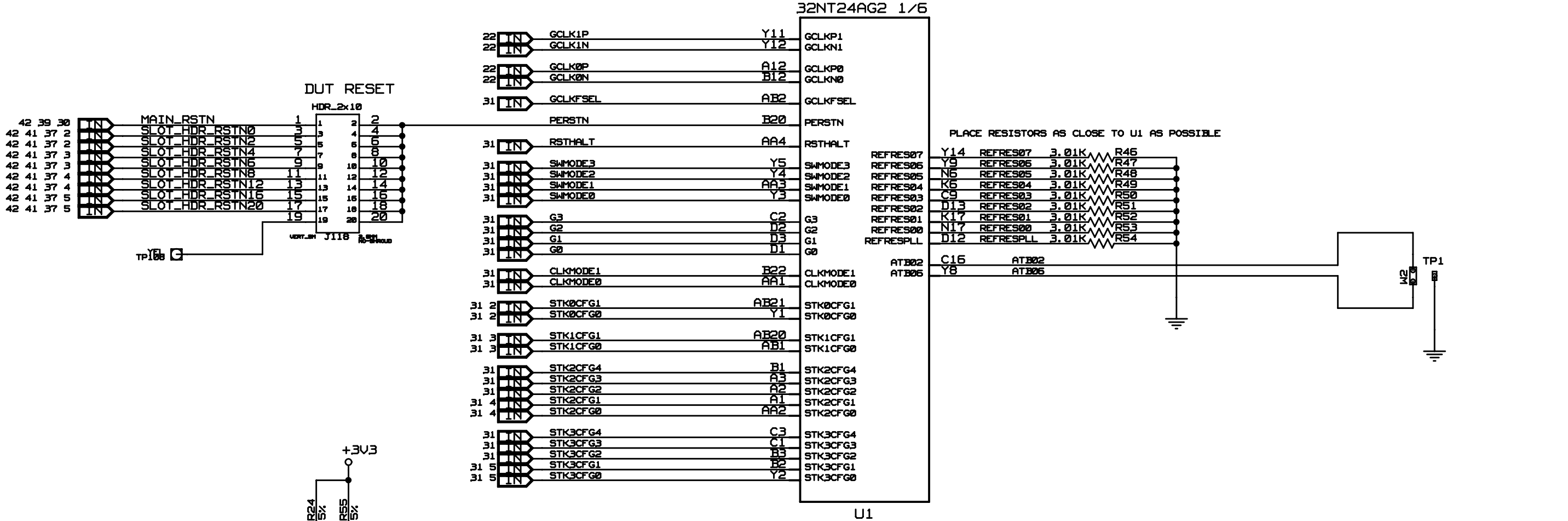
		TITLE EB-LOGAN-23	
		MEZZANINE CONNECTOR PORTS 16/20	
SIZE B	DRAWING NO. SCH-PESEB-001	FAB P/N 18-691-000	REV. 1.1
AUTHOR Tony Tran		CHECKED BY Derek Huang	
Mon Apr 19 14:30:57 2010		SHEET 5 OF 50	

CONFIDENTIAL PROPERTY OF INTEGRATED DEVICE TECHNOLOGY, INC.
 6024 SILVER CREEK VALLEY ROAD, SAN JOSE, CA 95138
 COPYRIGHT (C)2010 IDT

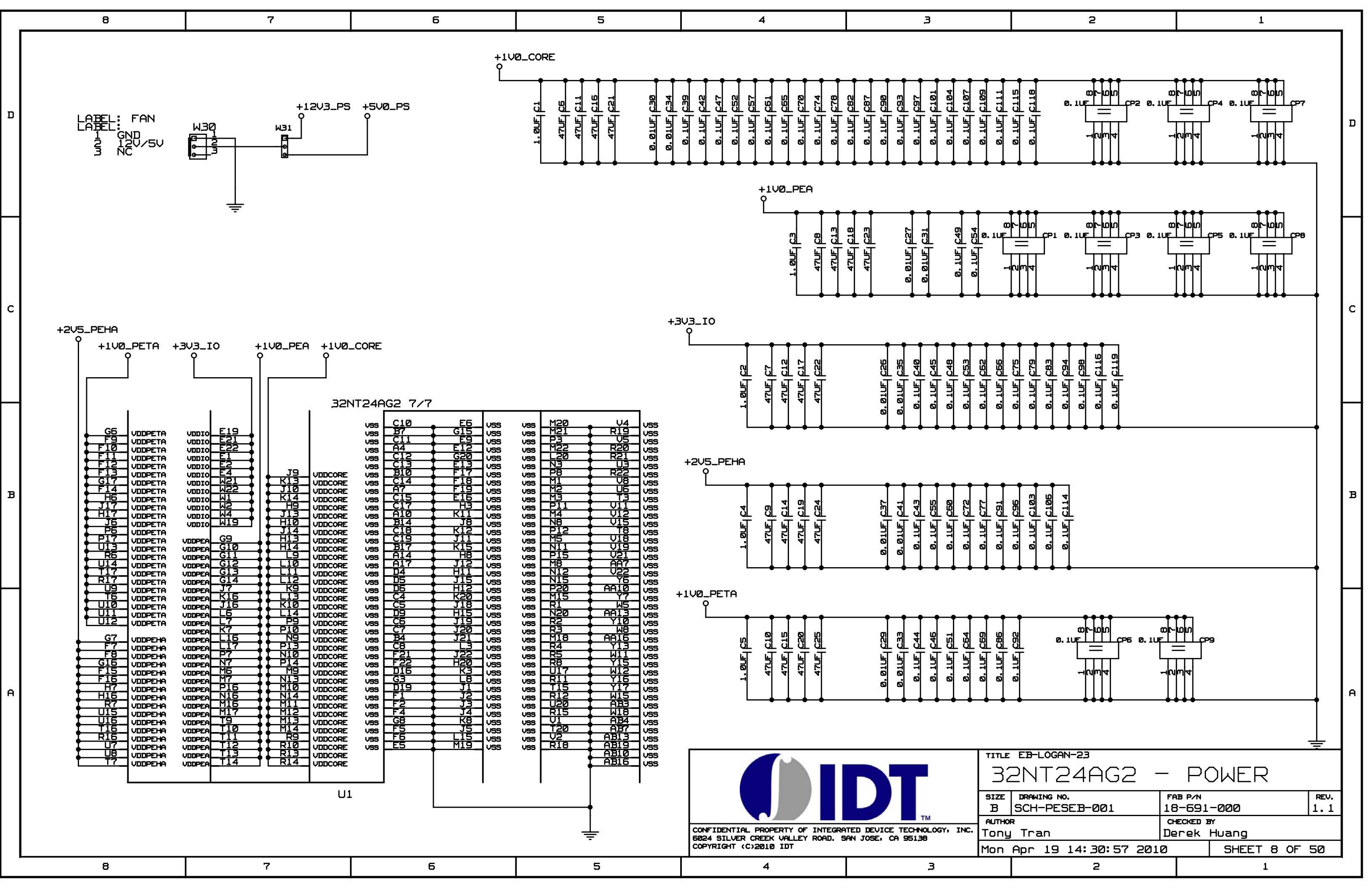


CONFIDENTIAL PROPERTY OF INTEGRATED DEVICE TECHNOLOGY, INC.
 6024 SILVER CREEK VALLEY ROAD, SAN JOSE, CA 95138
 COPYRIGHT (C)2010 IDT

TITLE EB-LOGAN-23			
32NT24AG2 - SERDES			
SIZE B	DRAWING NO. SCH-PESEB-001	FAB P/N 18-691-000	REV. 1.1
AUTHOR Tony Tran		CHECKED BY Derek Huang	
Mon Apr 19 14:30:58 2010			SHEET 6 OF 50



TITLE EB-LOGAN-23			
32NT24AG2 CLK, CONFIG, GPIO			
SIZE	DRAWING NO.	FAB P/N	REV.
B	SCH-PESEB-001	18-691-000	1.1
AUTHOR		CHECKED BY	
Tony Tran		Derek Huang	
Mon Apr 19 14:30:57 2010			SHEET 7 OF 50



LABEL: FAN
 LABEL: Z-1-GND
 LABEL: Z-2-GND
 LABEL: Z-3-5V

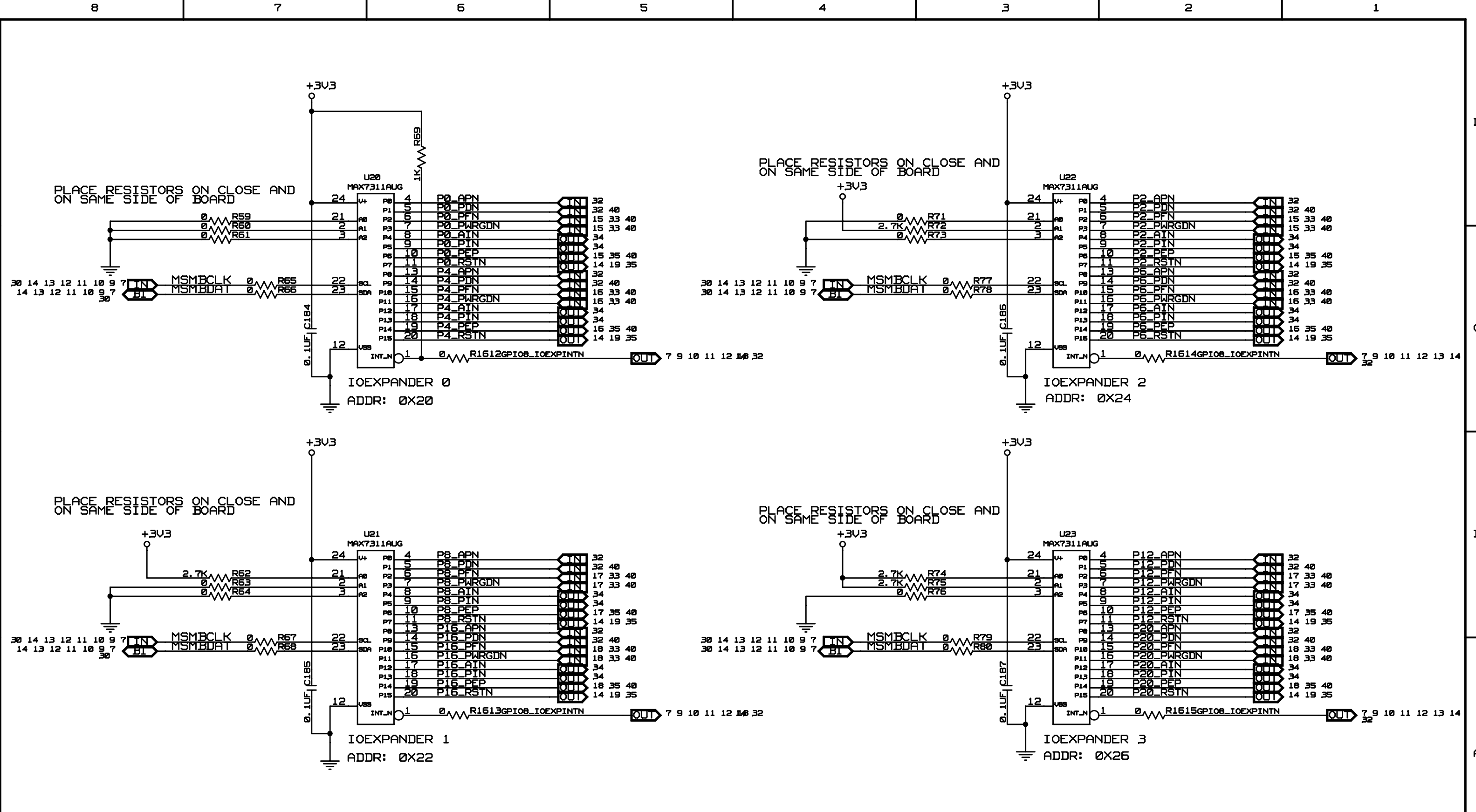
32NT24AG2 7/7


U1



TITLE EB-LOGAN-23			
32NT24AG2 - POWER			
SIZE	DRAWING NO.	FAB P/N	REV.
B	SCH-PESEB-001	18-691-000	1.1
AUTHOR		CHECKED BY	
Tony Tran		Derek Huang	
Mon Apr 19 14:30:57 2010			SHEET 8 OF 50

CONFIDENTIAL PROPERTY OF INTEGRATED DEVICE TECHNOLOGY, INC.
 6824 SILVER CREEK VALLEY ROAD, SAN JOSE, CA 95138
 COPYRIGHT (C)2010 IDT

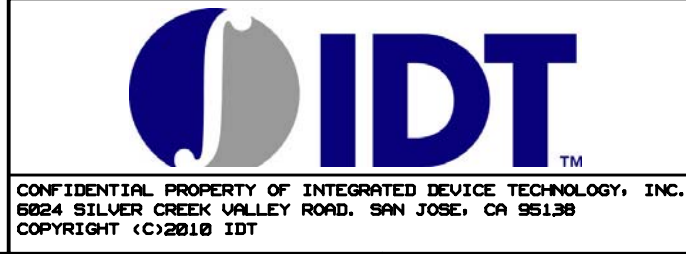
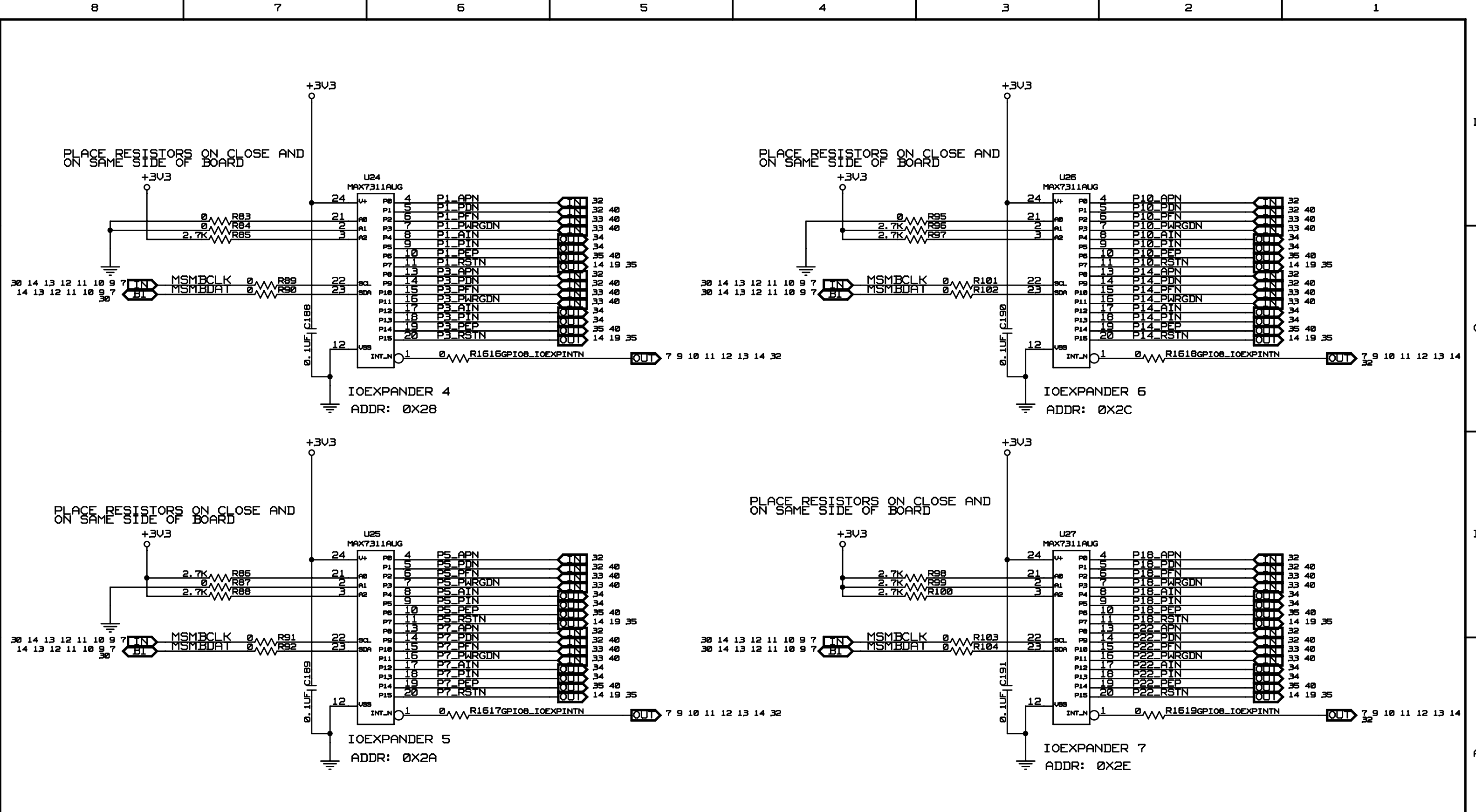




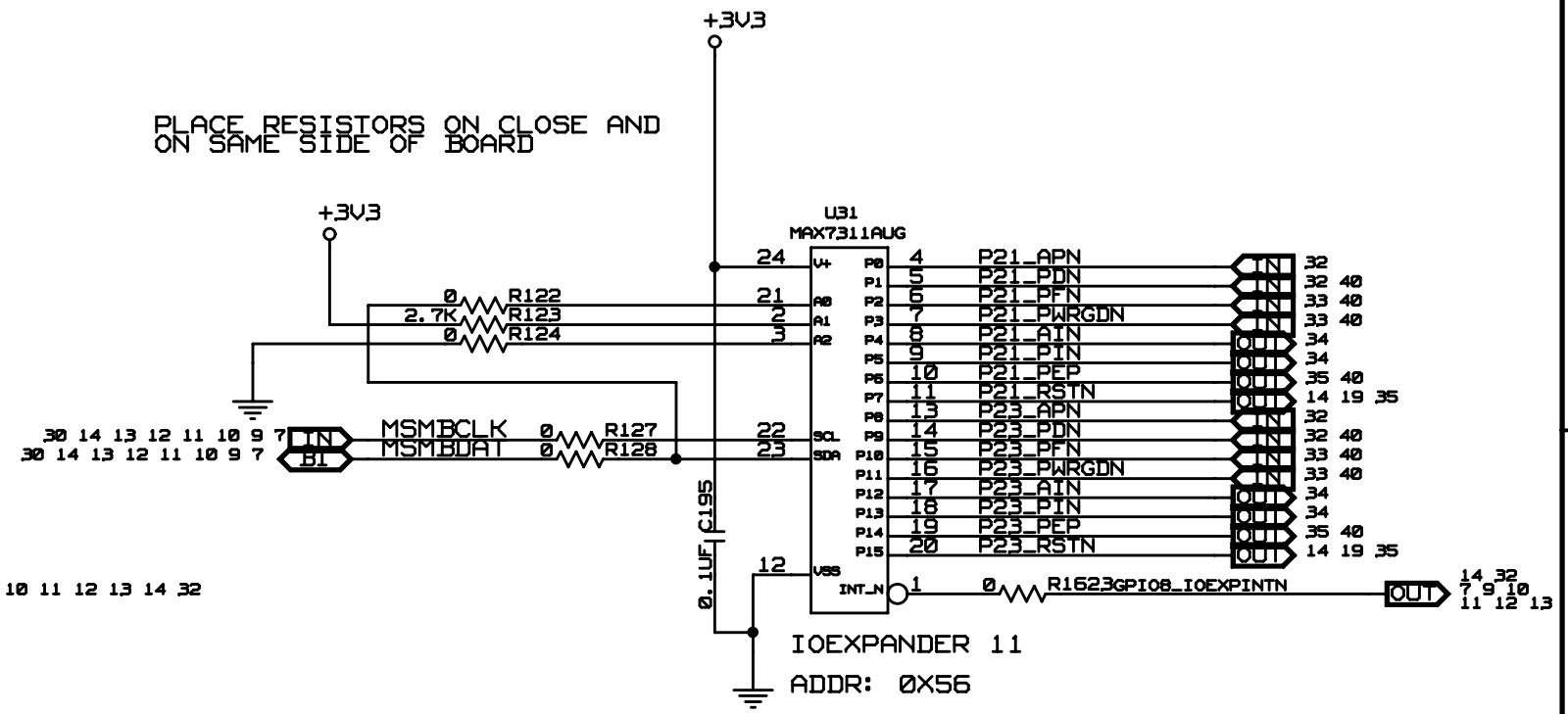
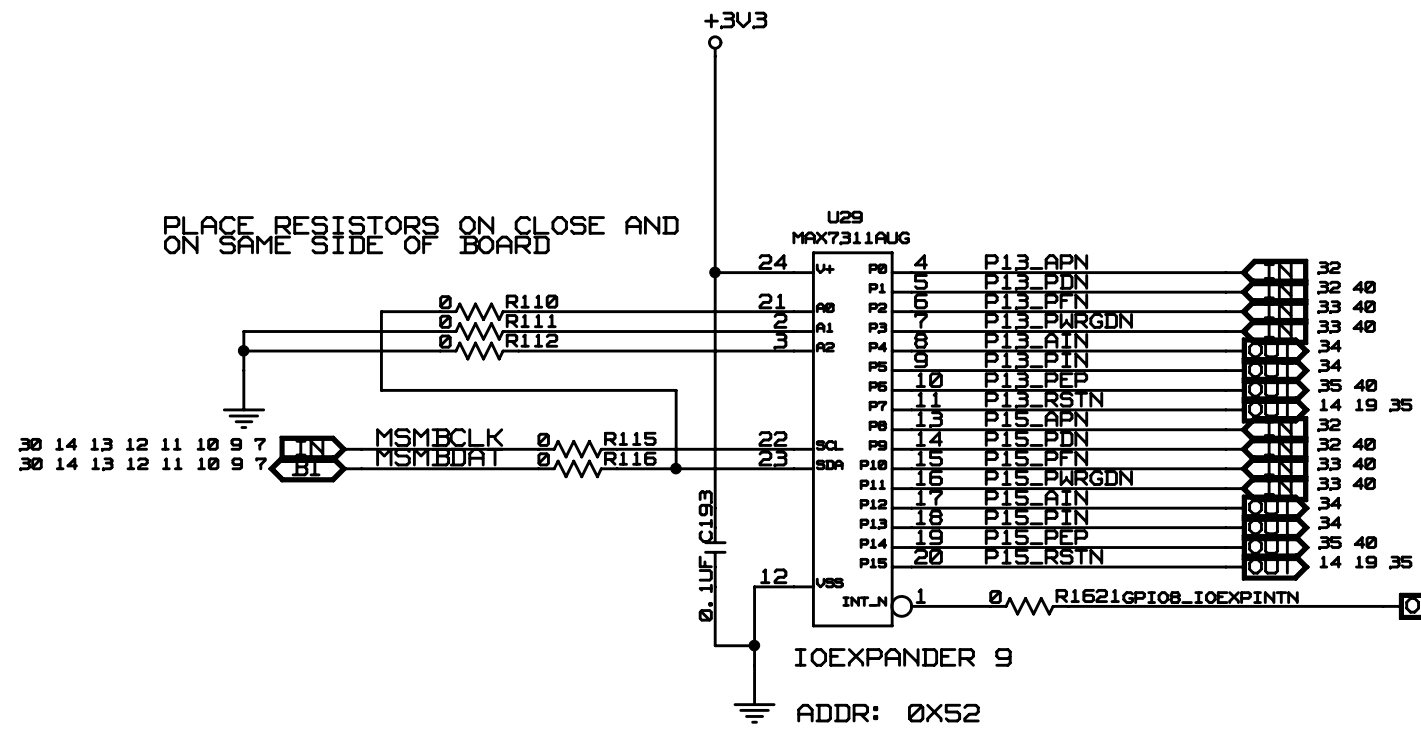
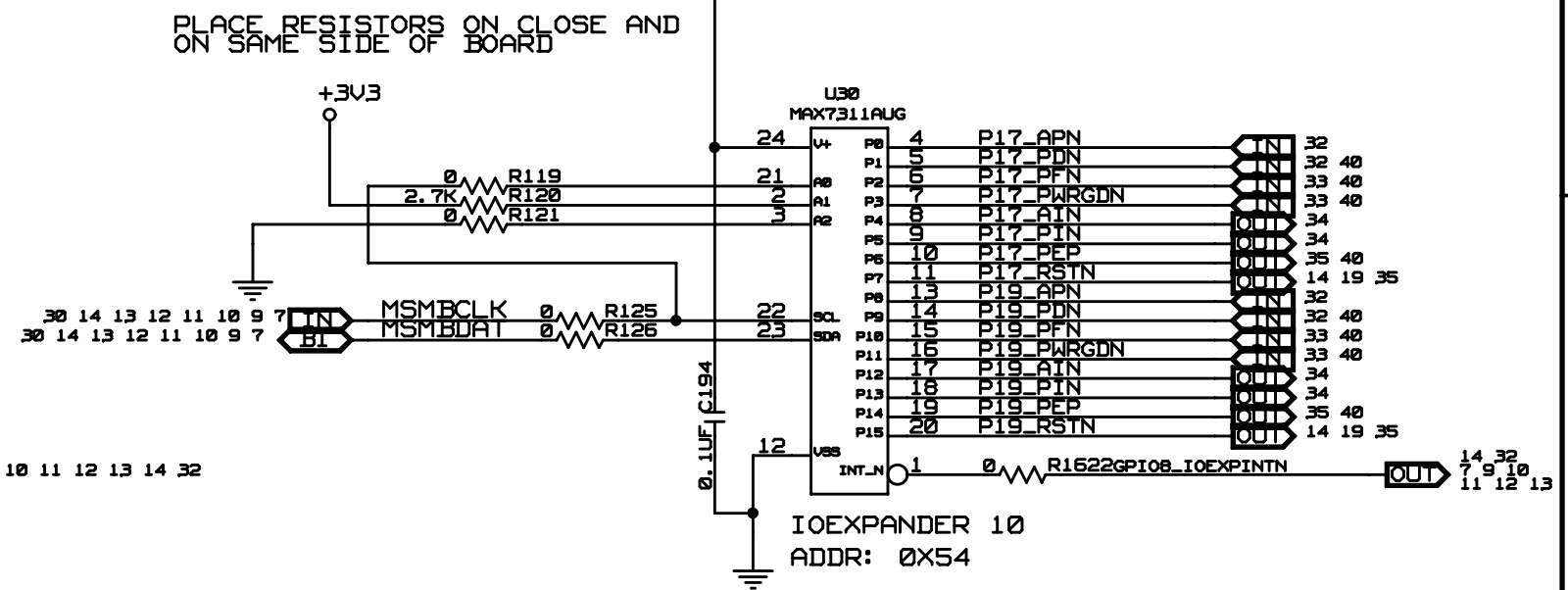
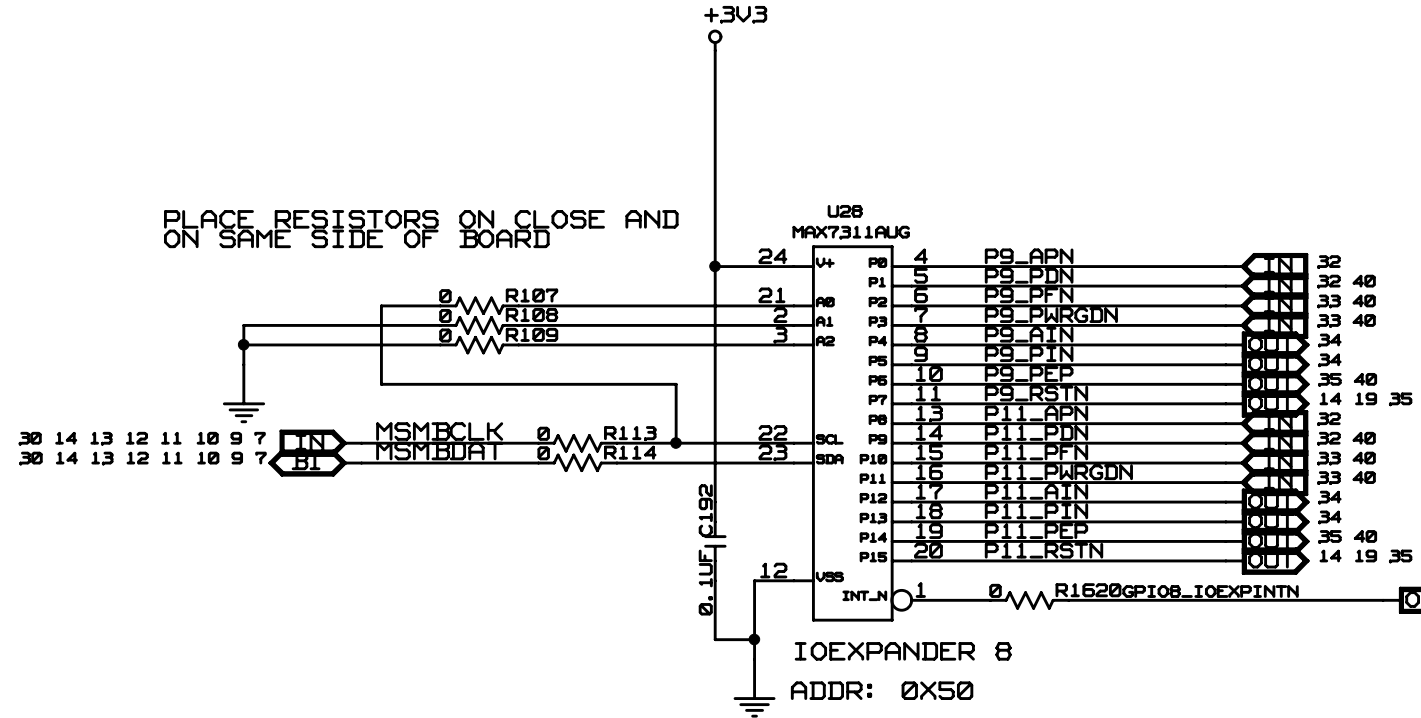
CONFIDENTIAL PROPERTY OF INTEGRATED DEVICE TECHNOLOGY, INC.
6024 SILVER CREEK VALLEY ROAD, SAN JOSE, CA 95138
COPYRIGHT (C)2010 IDT


TITLE EB-LOGAN-23
IOEXPANDER 0-3

SIZE B	DRAWING NO. SCH-PESEB-001	FAB P/N 18-691-000	REV. 1.1
AUTHOR Tony Tran		CHECKED BY Derek Huang	
Mon Apr 19 14:30:58 2010			SHEET 9 OF 50



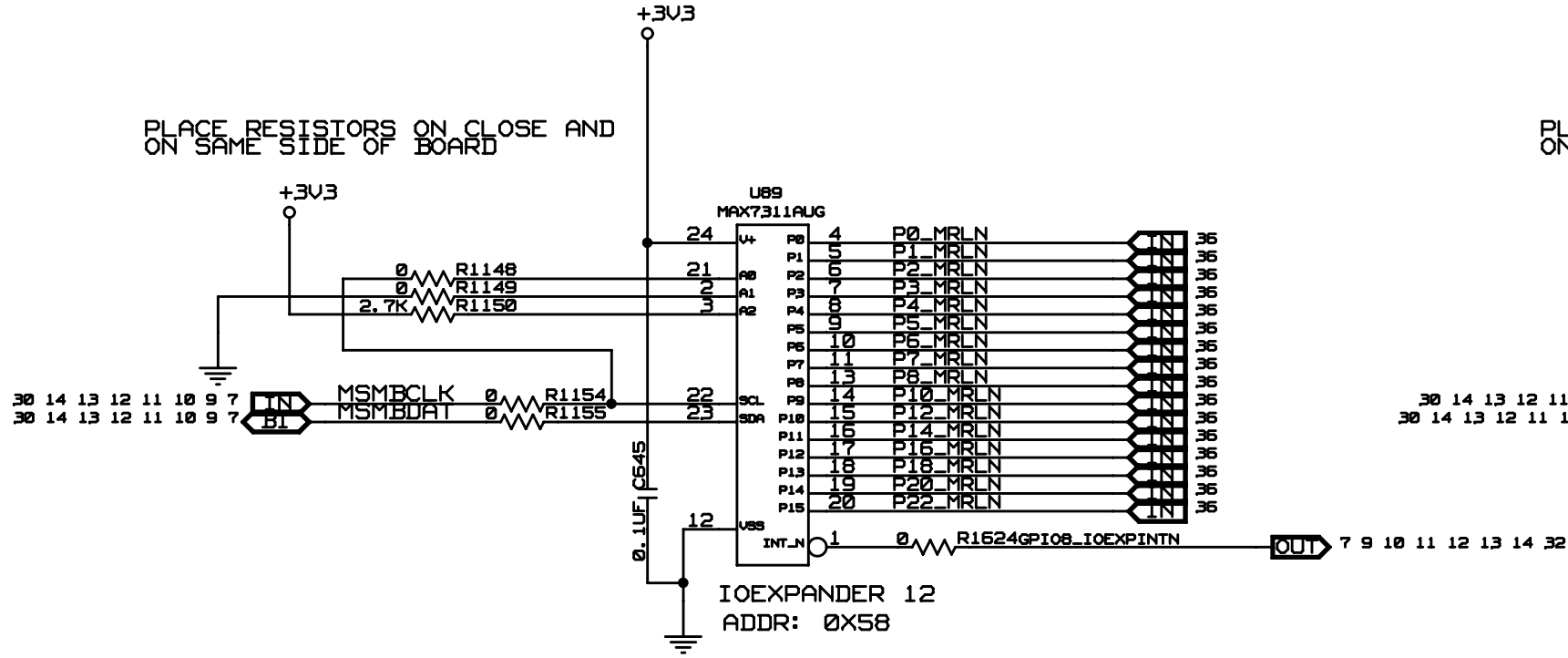
TITLE EB-LOGAN-23			
IOEXPANDER 4-7			
SIZE	DRAWING NO.	FAB P/N	REV.
B	SCH-PESEB-001	18-691-000	1.1
AUTHOR		CHECKED BY	
Tony Tran		Derek Huang	
Mon Apr 19 14:30:45 2010			SHEET 10 OF 50



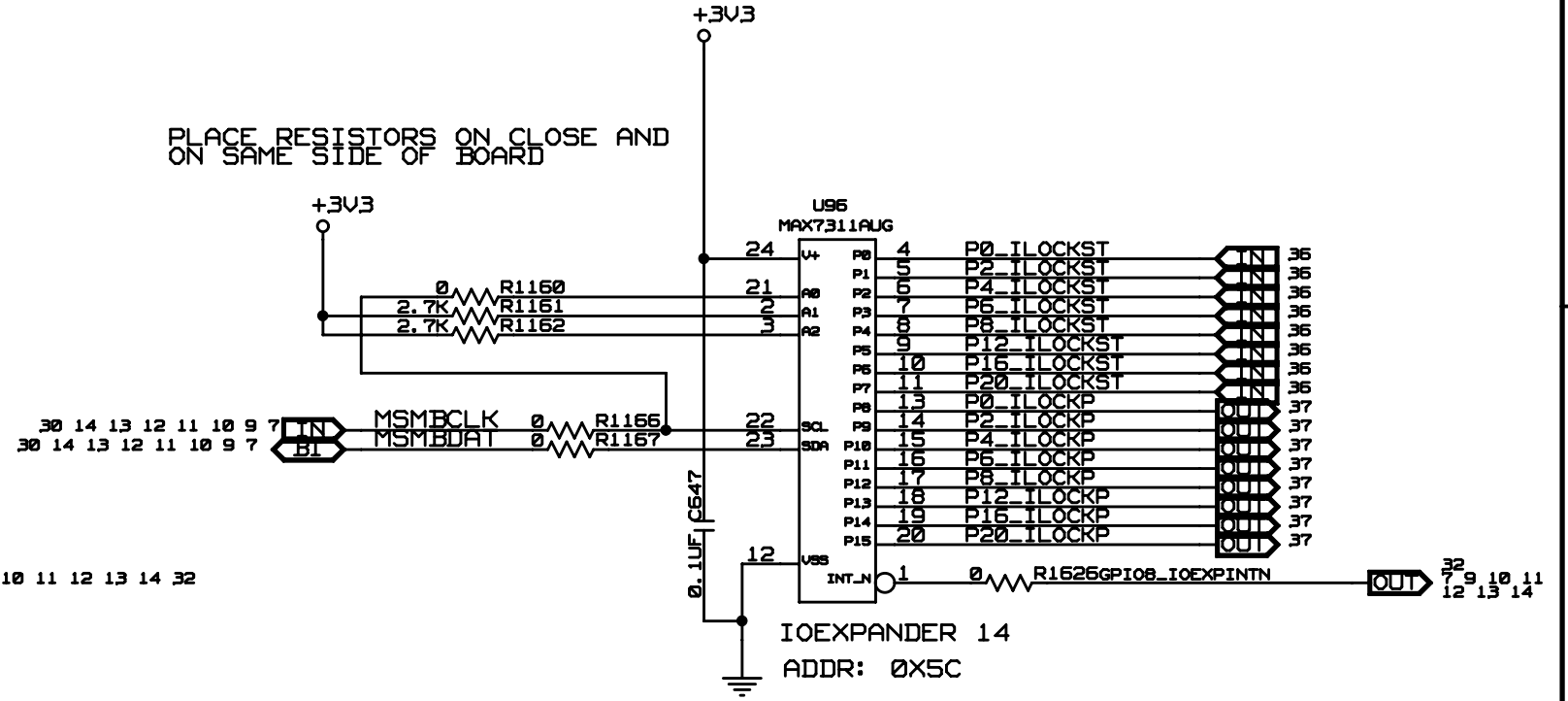
		TITLE E0g10G0M+25ation Board	
		IOEXPANDER 8-11	
SIZE	DRAWING NO.	FAB P/N	REV.
B	SCH-PESEB-001	18-691-000	1.0
AUTHOR		CHECKED BY	
Tony Tran		Derek Huang	
Mon Apr 19 14:30:45 2010			SHEET 11 OF 50

CONFIDENTIAL PROPERTY OF INTEGRATED DEVICE TECHNOLOGY, INC.
6024 SILVER CREEK VALLEY ROAD, SAN JOSE, CA 95138
COPYRIGHT (C)2000 IDT

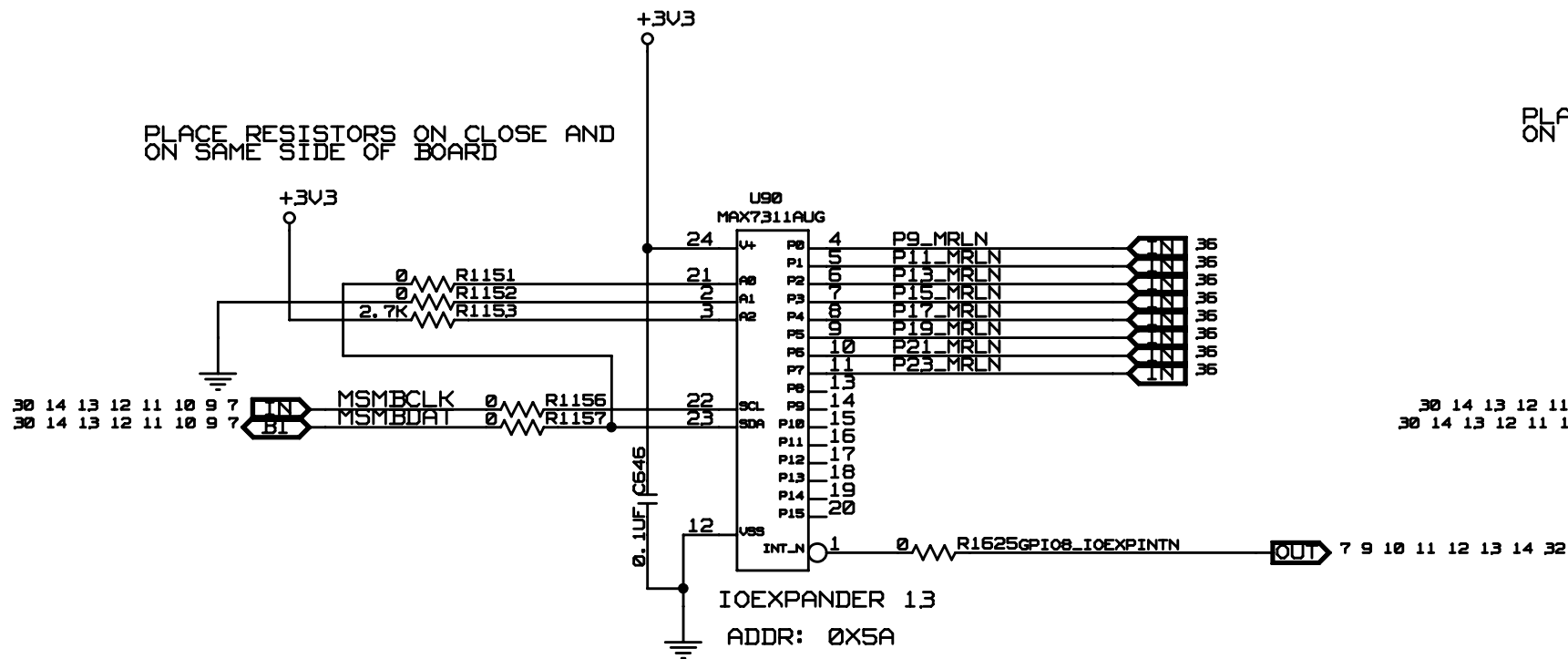
PLACE RESISTORS ON CLOSE AND ON SAME SIDE OF BOARD



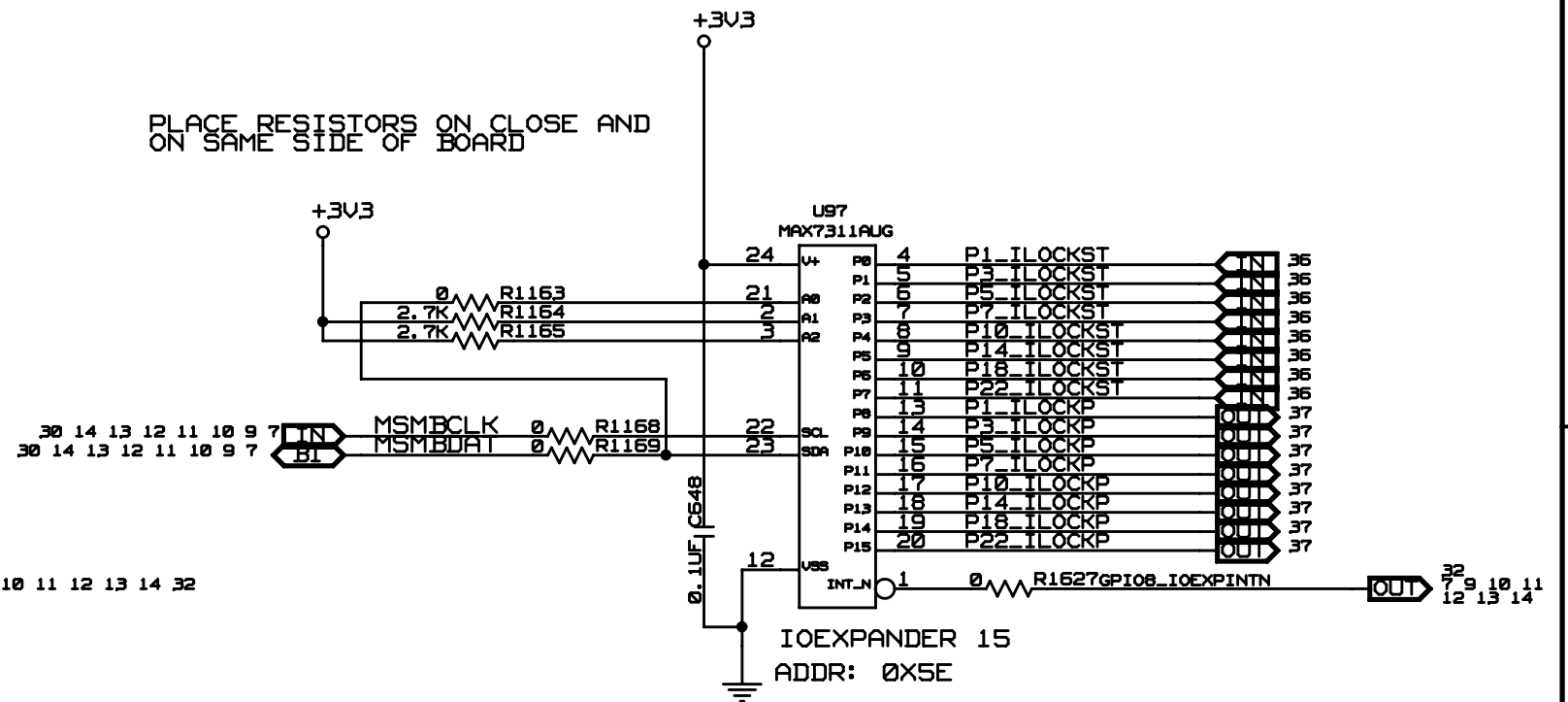
PLACE RESISTORS ON CLOSE AND ON SAME SIDE OF BOARD



PLACE RESISTORS ON CLOSE AND ON SAME SIDE OF BOARD



PLACE RESISTORS ON CLOSE AND ON SAME SIDE OF BOARD



CONFIDENTIAL PROPERTY OF INTEGRATED DEVICE TECHNOLOGY, INC.
 6024 SILVER CREEK VALLEY ROAD, SAN JOSE, CA 95138
 COPYRIGHT (C)2010 IDT

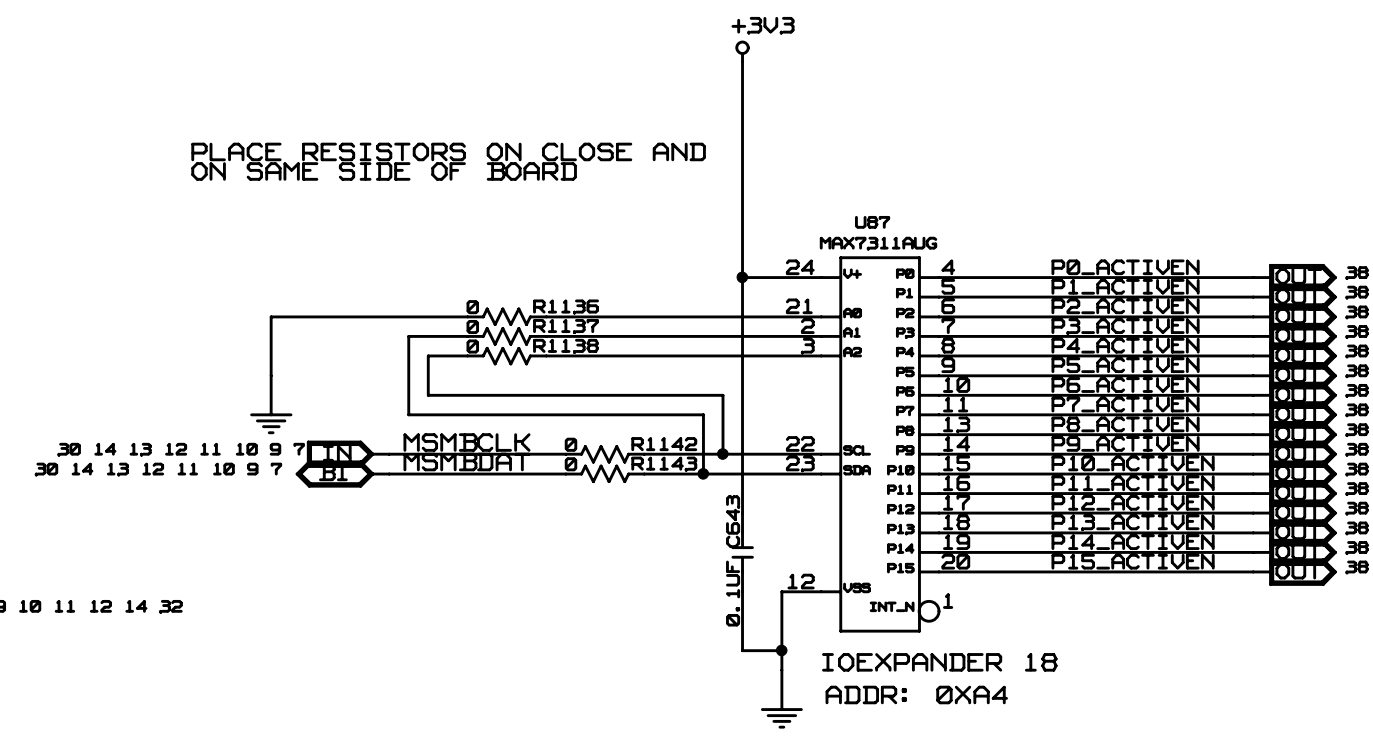
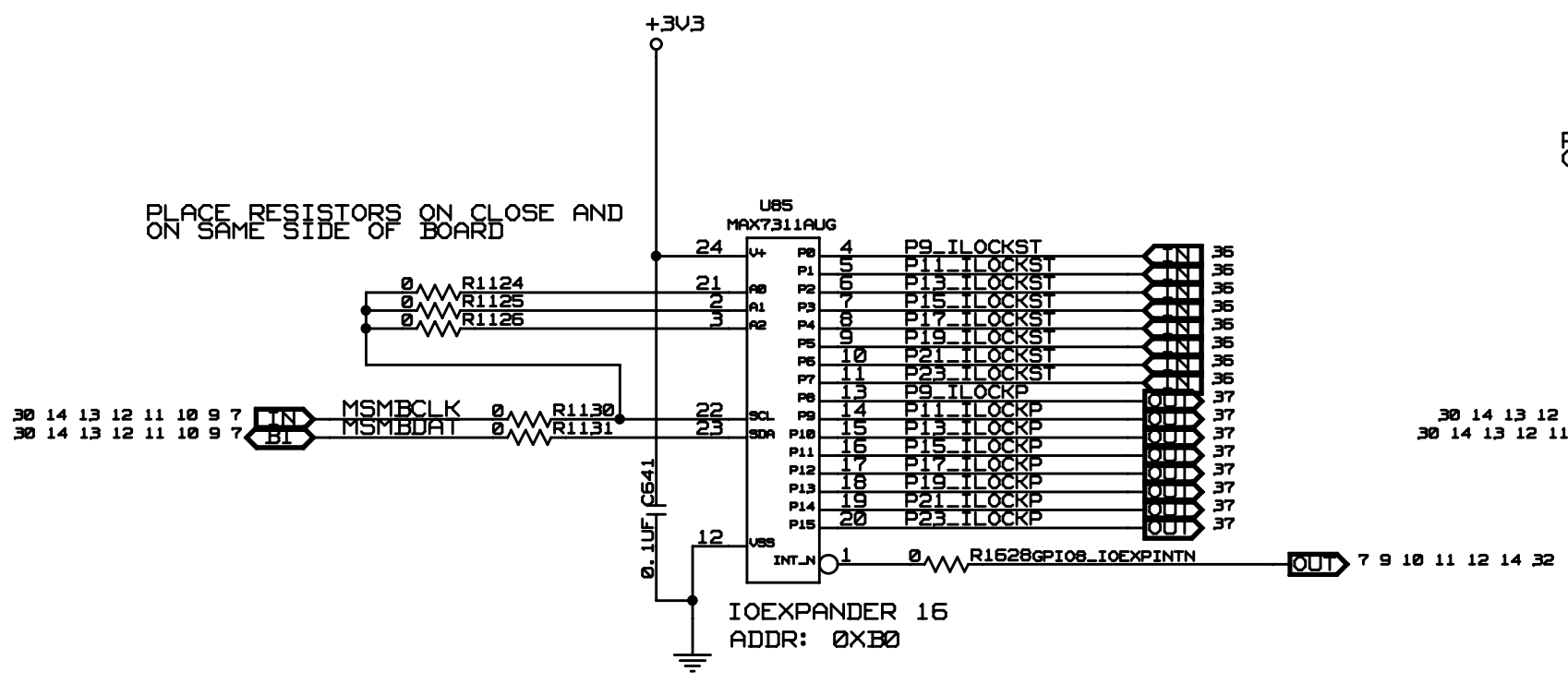
TITLE EB-LOGAN-23			
IOEXPANDER 12-15			
SIZE	DRAWING NO.	FAB P/N	REV.
B	SCH-PESEB-001	18-691-000	1.1
AUTHOR		CHECKED BY	
Tony Tran		Derek Huang	
Mon Apr 19 14:30:45 2010			SHEET 12 OF 50

D

D

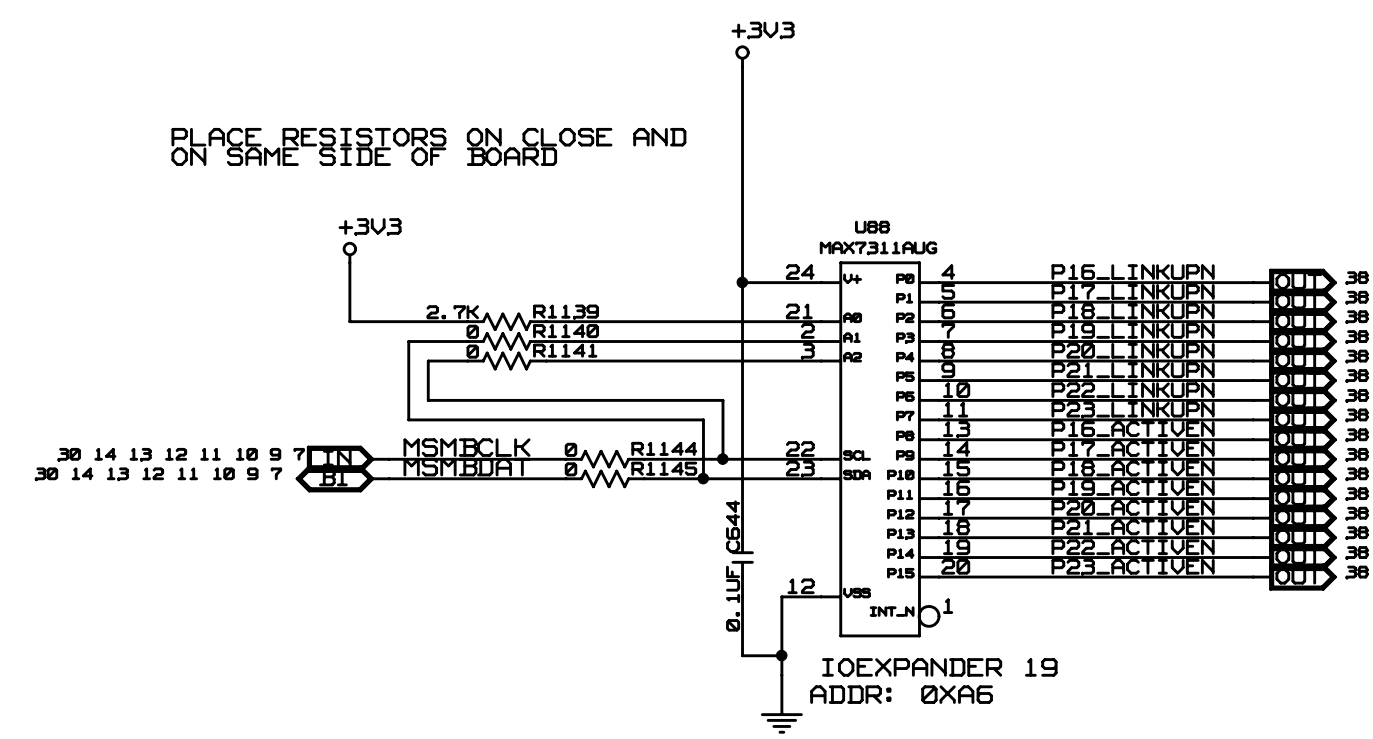
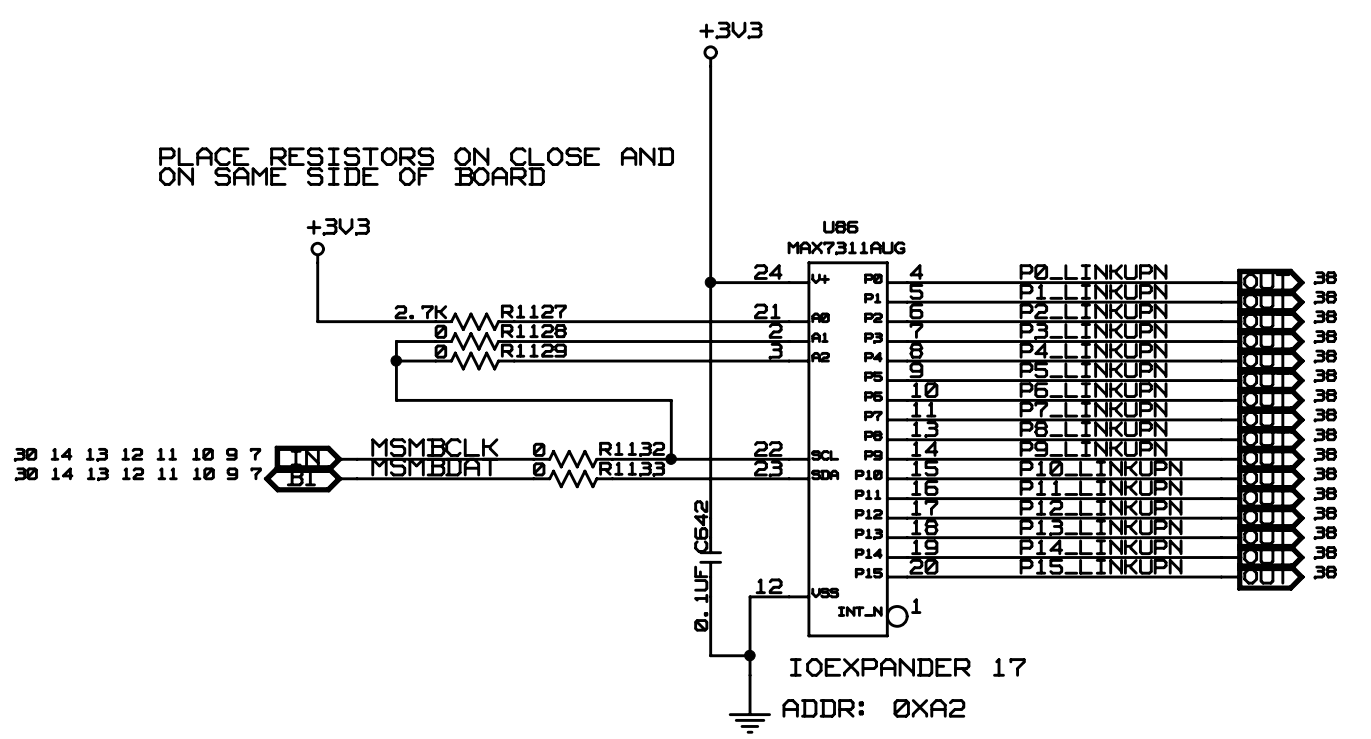
PLACE RESISTORS ON CLOSE AND ON SAME SIDE OF BOARD

PLACE RESISTORS ON CLOSE AND ON SAME SIDE OF BOARD



PLACE RESISTORS ON CLOSE AND ON SAME SIDE OF BOARD

PLACE RESISTORS ON CLOSE AND ON SAME SIDE OF BOARD



B

B

A

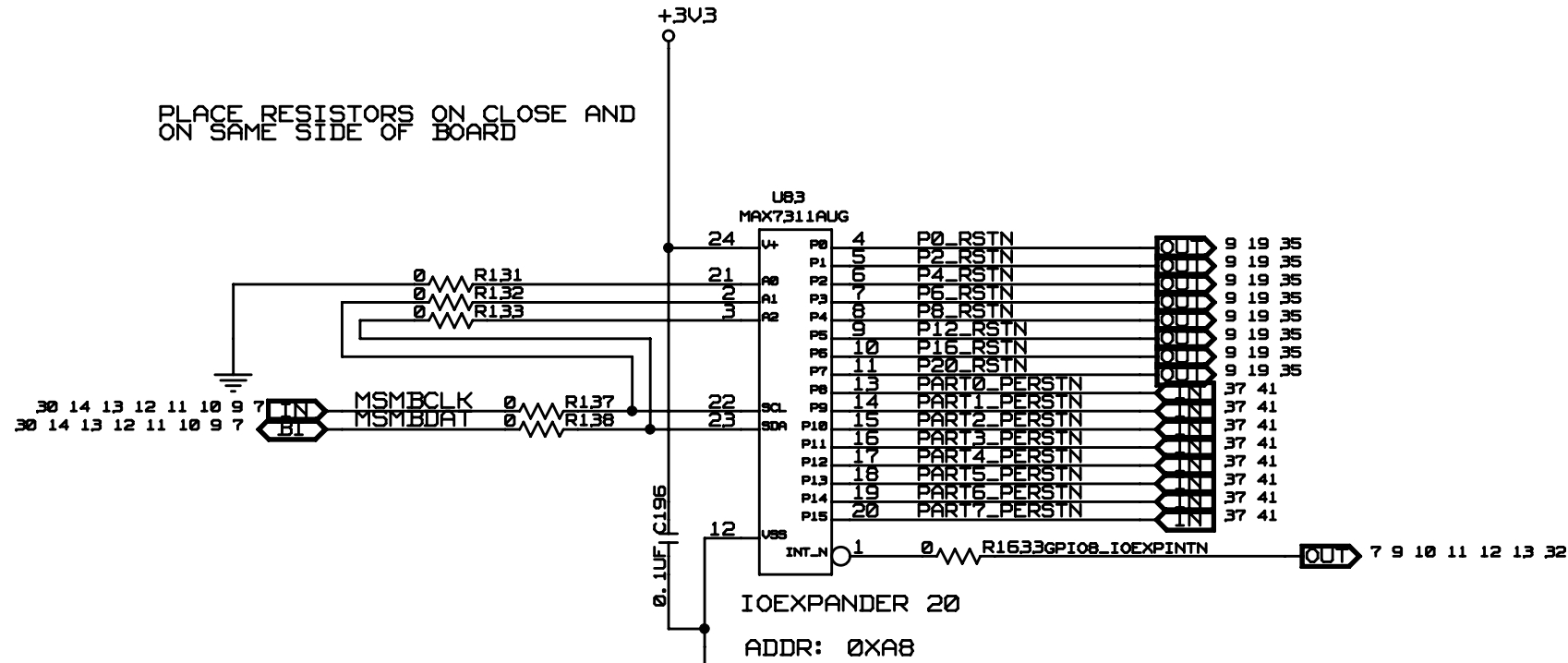
A



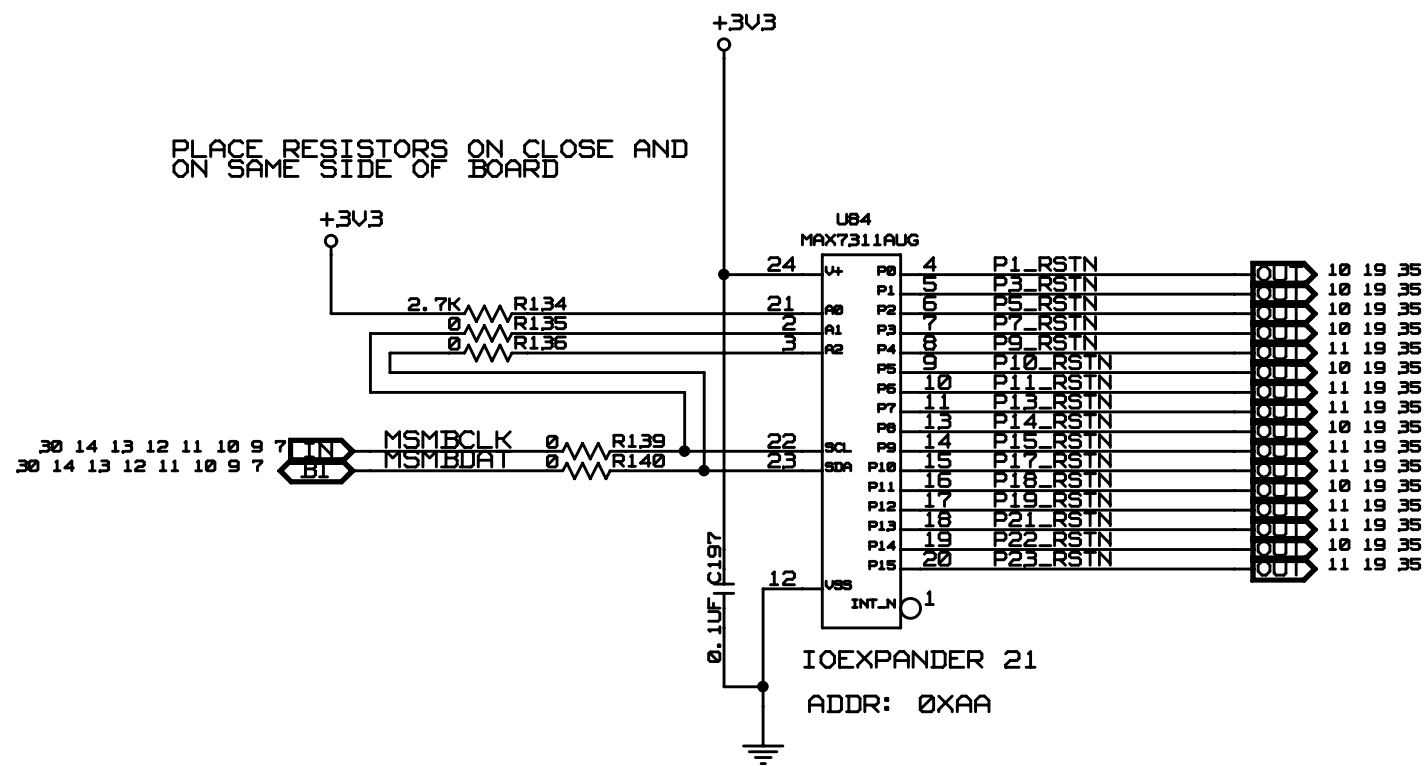
CONFIDENTIAL PROPERTY OF INTEGRATED DEVICE TECHNOLOGY, INC.
6024 SILVER CREEK VALLEY ROAD, SAN JOSE, CA 95138
COPYRIGHT (C)2010 IDT

TITLE EB-LOGAN-23			
IOEXPANDER 16-19			
SIZE	DRAWING NO.	FAB P/N	REV.
B	SCH-PESEB-001	18-691-000	1.1
AUTHOR		CHECKED BY	
Tony Tran		Derek Huang	
Mon Apr 19 14:30:47 2010			SHEET 13 OF 50

PLACE RESISTORS ON CLOSE AND ON SAME SIDE OF BOARD

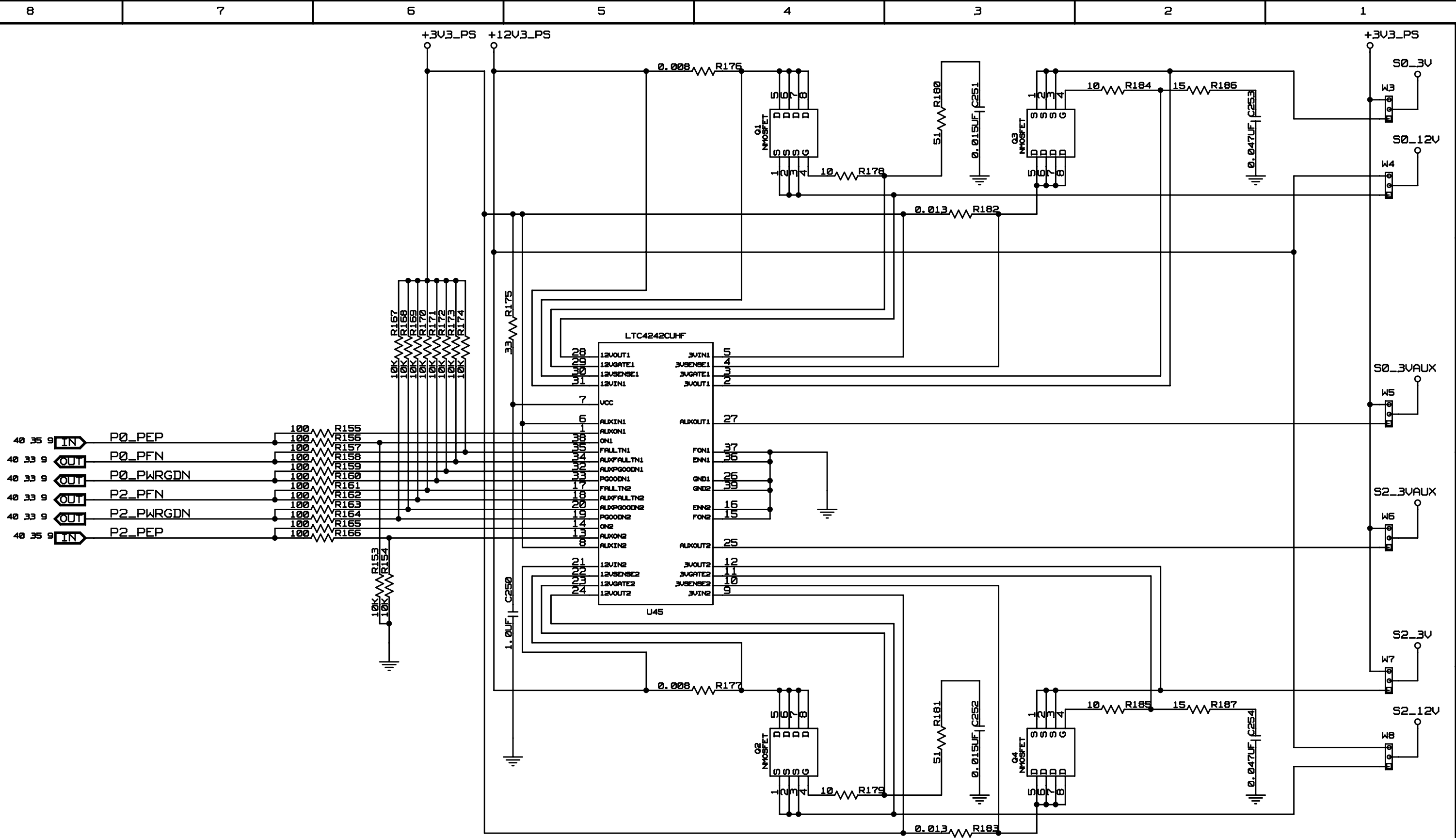


PLACE RESISTORS ON CLOSE AND ON SAME SIDE OF BOARD



CONFIDENTIAL PROPERTY OF INTEGRATED DEVICE TECHNOLOGY, INC.
6024 SILVER CREEK VALLEY ROAD, SAN JOSE, CA 95138
COPYRIGHT (C)2010 IDT

TITLE EB-LOGAN-23			
IOEXPANDER 20-21			
SIZE B	DRAWING NO. SCH-PESEB-001	FAB P/N 18-691-000	REV. 1.1
AUTHOR Tony Tran		CHECKED BY Derek Huang	
Mon Apr 19 14:30:47 2010			SHEET 14 OF 50

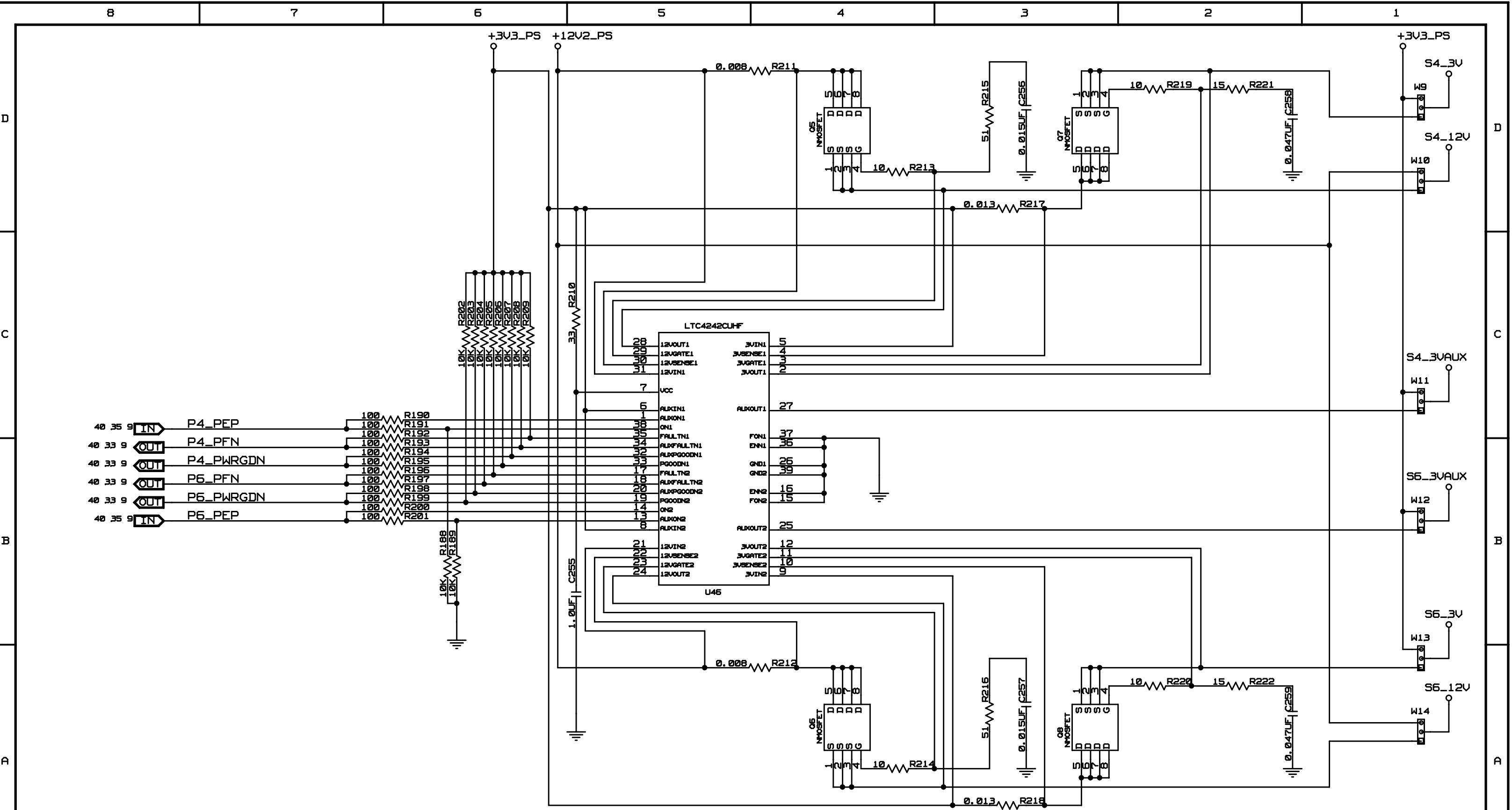


CONFIDENTIAL PROPERTY OF INTEGRATED DEVICE TECHNOLOGY, INC.
 6024 SILVER CREEK VALLEY ROAD, SAN JOSE, CA 95138
 COPYRIGHT (C)2010 IDT

TITLE EB-LOGAN-23

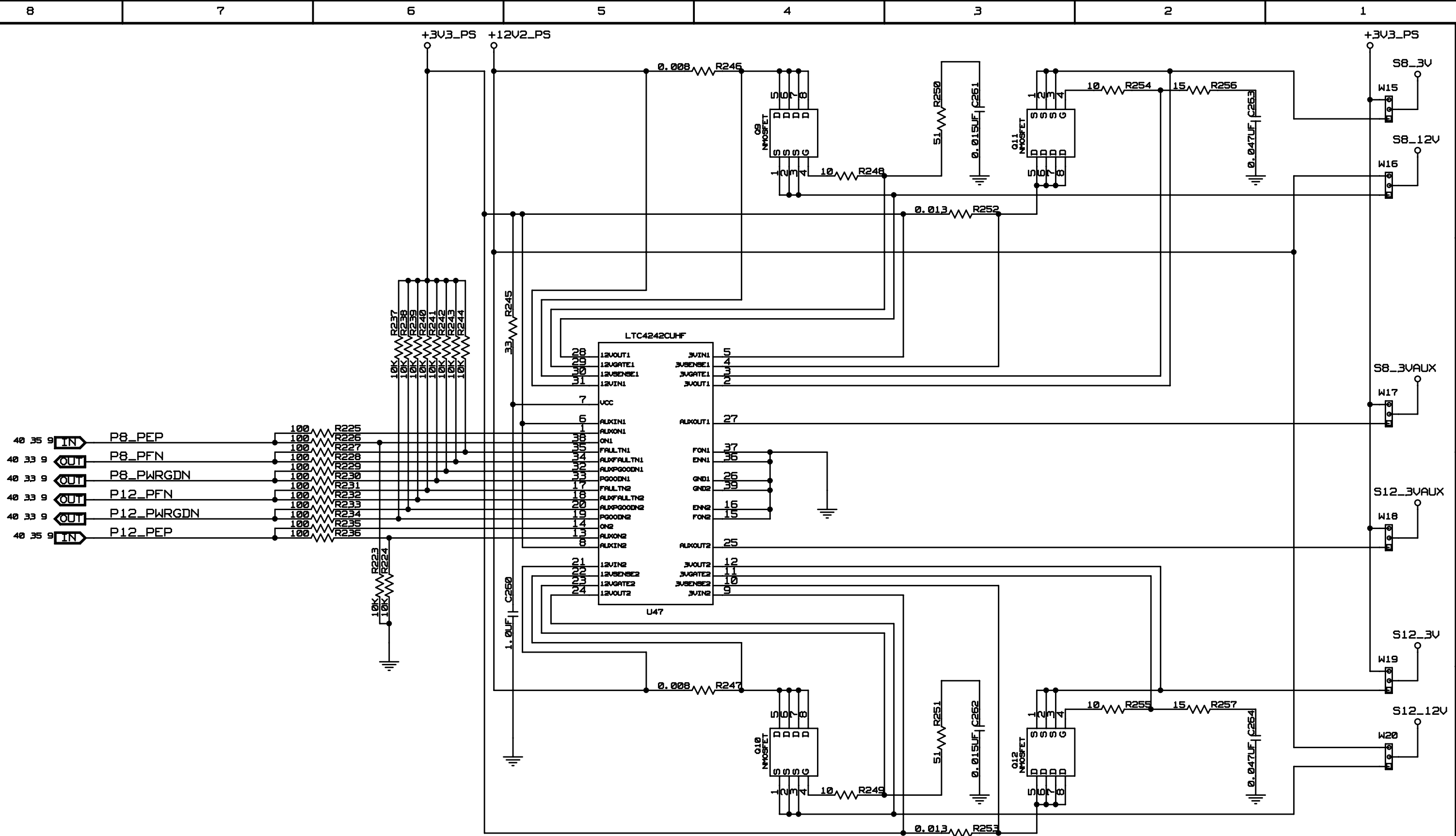

HOT PLUG CONTROL PORTS 0-2

SIZE B	DRAWING NO. SCH-PESEB-001	FAB P/N 18-691-000	REV. 1.1
AUTHOR Tony Tran		CHECKED BY Derek Huang	
Mon Apr 19 14:30:47 2010			SHEET 15 OF 50



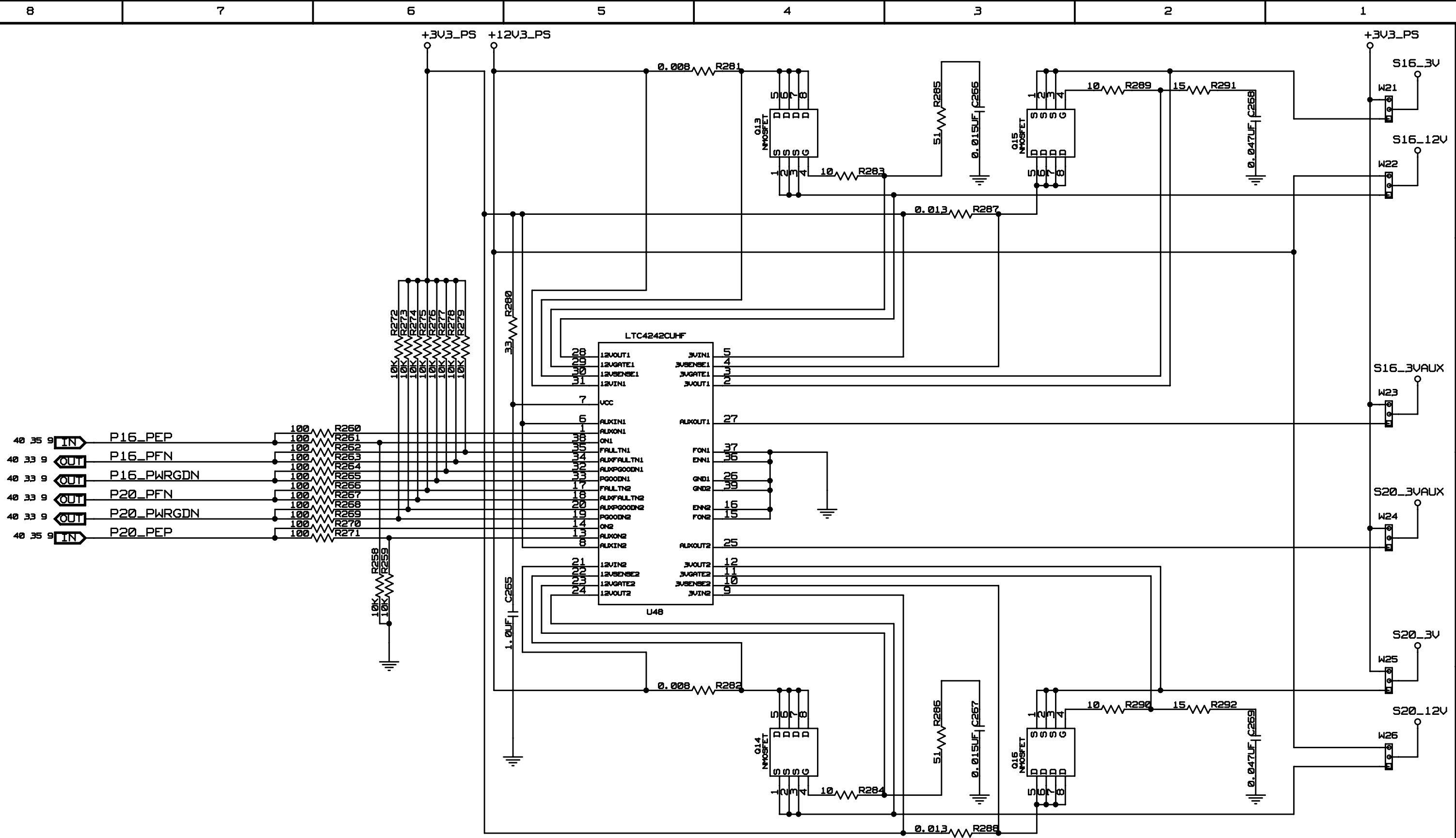

CONFIDENTIAL PROPERTY OF INTEGRATED DEVICE TECHNOLOGY, INC.
 6024 SILVER CREEK VALLEY ROAD, SAN JOSE, CA 95138
 COPYRIGHT (C)2010 IDT

TITLE EB-LOGAN-23			
HOT PLUG CONTROL PORTS 4-6			
SIZE	DRAWING NO.	FAB P/N	REV.
B	SCH-PESEB-001	18-691-000	1.1
AUTHOR		CHECKED BY	
Tony Tran		Derek Huang	
Mon Apr 19 14:30:48 2010			SHEET 16 OF 50

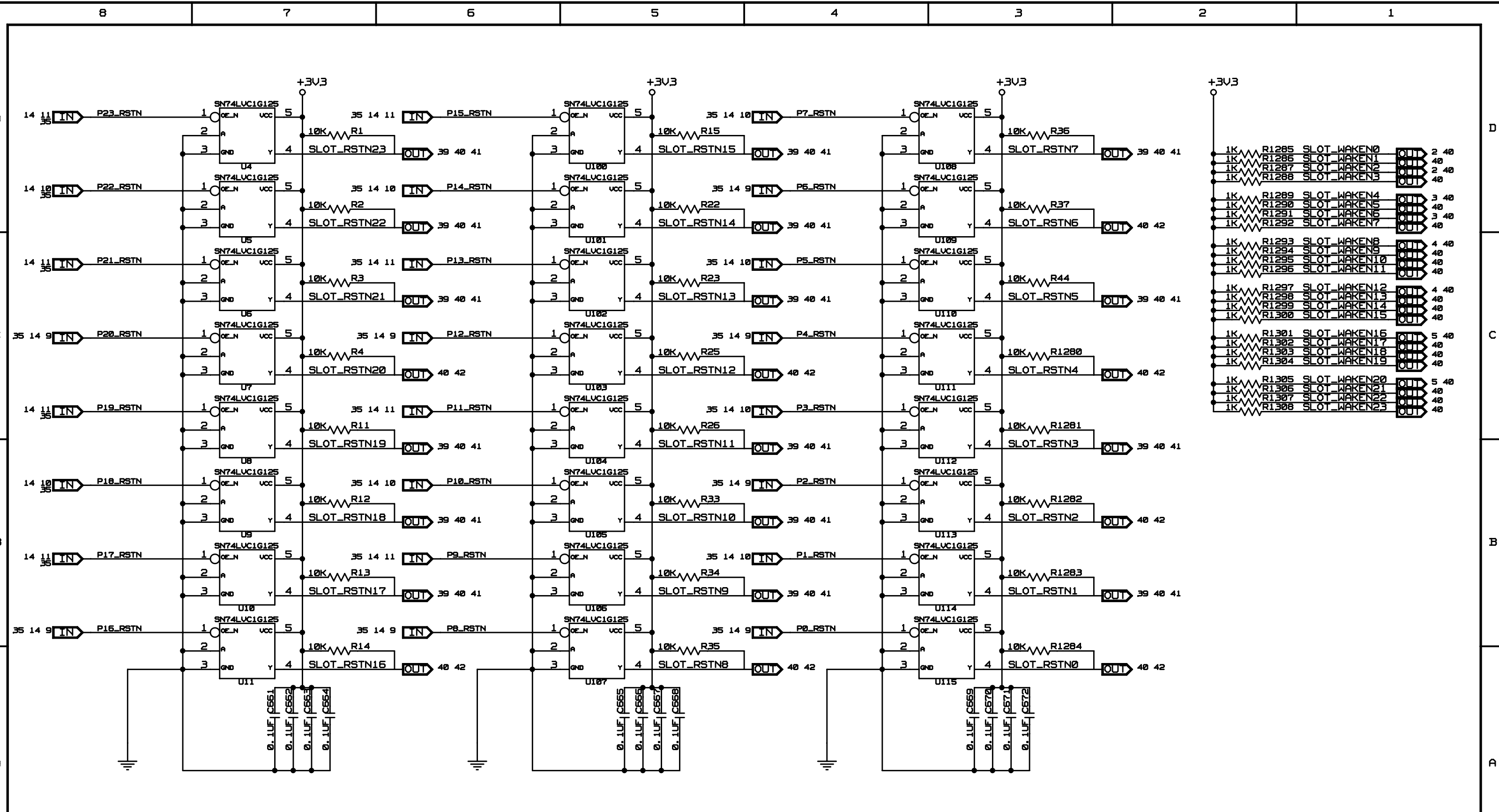

CONFIDENTIAL PROPERTY OF INTEGRATED DEVICE TECHNOLOGY, INC.
 6024 SILVER CREEK VALLEY ROAD, SAN JOSE, CA 95138
 COPYRIGHT (C)2010 IDT

TITLE EB-LOGAN-23			
HOT PLUG CONTROL PORTS 8-12			
SIZE	DRAWING NO.	FAB P/N	REV.
B	SCH-PESEB-001	18-691-000	1.1
AUTHOR		CHECKED BY	
Tony Tran		Derek Huang	
Mon Apr 19 14:30:48 2010			SHEET 17 OF 50

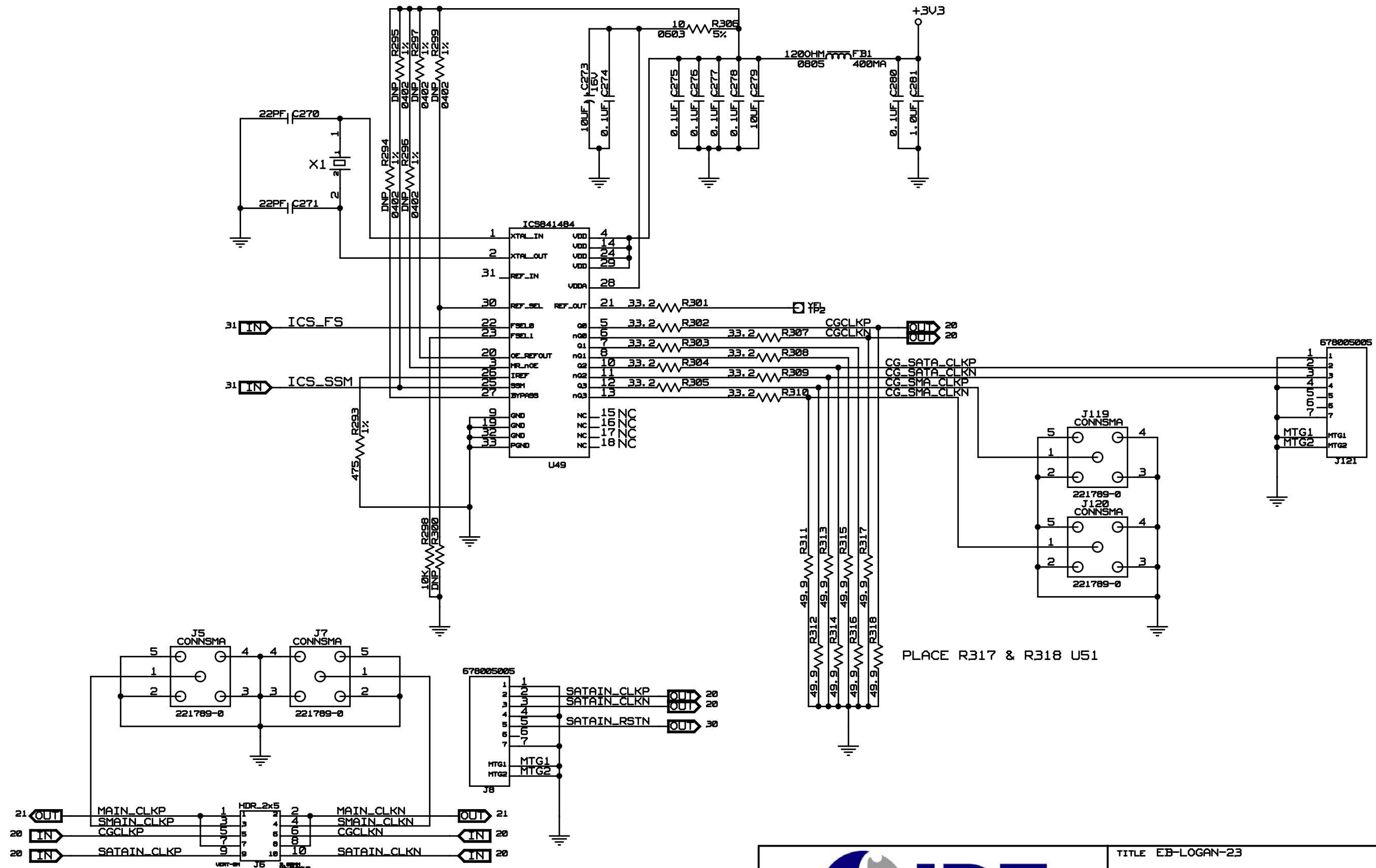
CONFIDENTIAL PROPERTY OF INTEGRATED DEVICE TECHNOLOGY, INC.
 6024 SILVER CREEK VALLEY ROAD, SAN JOSE, CA 95138
 COPYRIGHT (C)2010 IDT

TITLE EB-LOGAN-23			
HOT PLUG CONTROL PORTS 16-20			
SIZE	DRAWING NO.	FAB P/N	REV.
B	SCH-PESEB-001	18-691-000	1.1
AUTHOR		CHECKED BY	
Tony Tran		Derek Huang	
Mon Apr 19 14:30:48 2010			SHEET 18 OF 50

CONFIDENTIAL PROPERTY OF INTEGRATED DEVICE TECHNOLOGY, INC.
 6024 SILVER CREEK VALLEY ROAD, SAN JOSE, CA 95138
 COPYRIGHT (C)2010 IDT

TITLE EB-LOGAN-23			
SLOT RESETS AND WAKE PULL-UPS			
SIZE	DRAWING NO.	FAB P/N	REV.
B	SCH-PESEB-001	18-691-000	1.1
AUTHOR		CHECKED BY	
Tony Tran		Derek Huang	
Mon Apr 19 14:30:58 2010			SHEET 19 OF 50



PLACE R317 & R318 U51

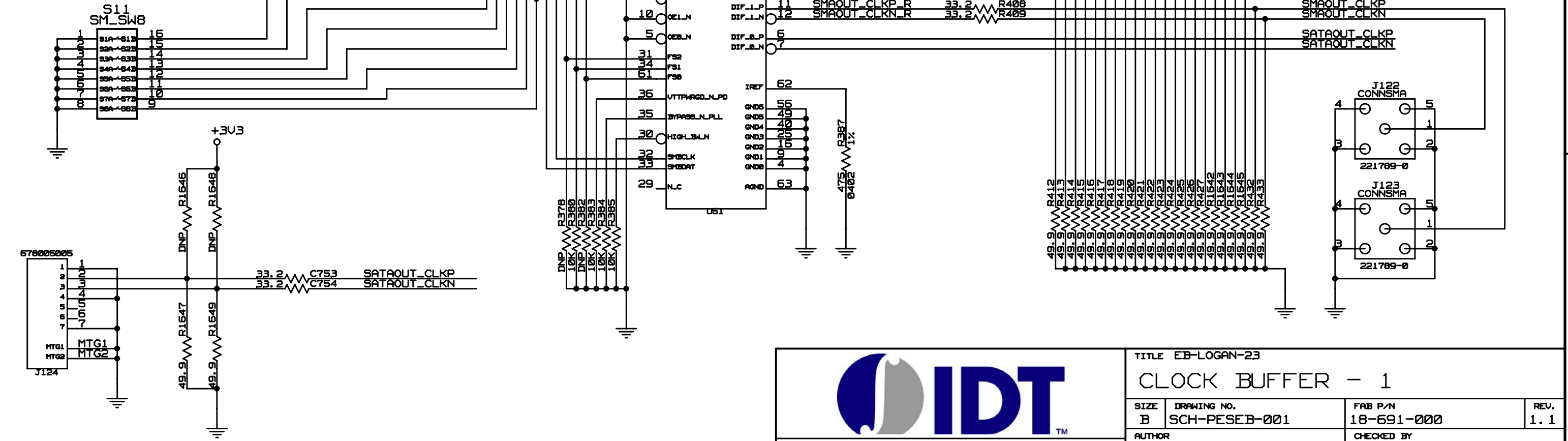
PLACE J6 CLOSE TO U51

CONFIDENTIAL PROPERTY OF INTEGRATED DEVICE TECHNOLOGY, INC.
 6024 SILVER CREEK VALLEY ROAD, SAN JOSE, CA 95138
 COPYRIGHT (C)2010 IDT

TITLE EB-LOGAN-23			
CLOCK			
SIZE B	DRAWING NO. SCH-PESEB-001	FAB P/N 18-691-000	REV. 1.1
AUTHOR Tony Tran		CHECKED BY Derek Huang	
Mon Apr 19 14:30:49 2010			SHEET 20 OF 50

SILKSCREEN LABEL:

LOC	DESCRIPTION
U1	IC9DB1200JGLF
U2	SM_SW8
U3	MTG1
U4	MTG2
U5	MTG1
U6	MTG2
U7	MTG1
U8	MTG2
U9	MTG1
U10	MTG2
U11	MTG1
U12	MTG2
U13	MTG1
U14	MTG2
U15	MTG1
U16	MTG2
U17	MTG1
U18	MTG2
U19	MTG1
U20	MTG2
U21	MTG1
U22	MTG2
U23	MTG1
U24	MTG2
U25	MTG1
U26	MTG2
U27	MTG1
U28	MTG2
U29	MTG1
U30	MTG2
U31	MTG1
U32	MTG2
U33	MTG1
U34	MTG2
U35	MTG1
U36	MTG2
U37	MTG1
U38	MTG2
U39	MTG1
U40	MTG2
U41	MTG1
U42	MTG2
U43	MTG1
U44	MTG2
U45	MTG1
U46	MTG2
U47	MTG1
U48	MTG2
U49	MTG1
U50	MTG2
U51	MTG1
U52	MTG2
U53	MTG1
U54	MTG2
U55	MTG1
U56	MTG2
U57	MTG1
U58	MTG2
U59	MTG1
U60	MTG2
U61	MTG1
U62	MTG2
U63	MTG1
U64	MTG2
U65	MTG1
U66	MTG2
U67	MTG1
U68	MTG2
U69	MTG1
U70	MTG2
U71	MTG1
U72	MTG2
U73	MTG1
U74	MTG2
U75	MTG1
U76	MTG2
U77	MTG1
U78	MTG2
U79	MTG1
U80	MTG2
U81	MTG1
U82	MTG2
U83	MTG1
U84	MTG2
U85	MTG1
U86	MTG2
U87	MTG1
U88	MTG2
U89	MTG1
U90	MTG2
U91	MTG1
U92	MTG2
U93	MTG1
U94	MTG2
U95	MTG1
U96	MTG2
U97	MTG1
U98	MTG2
U99	MTG1
U100	MTG2

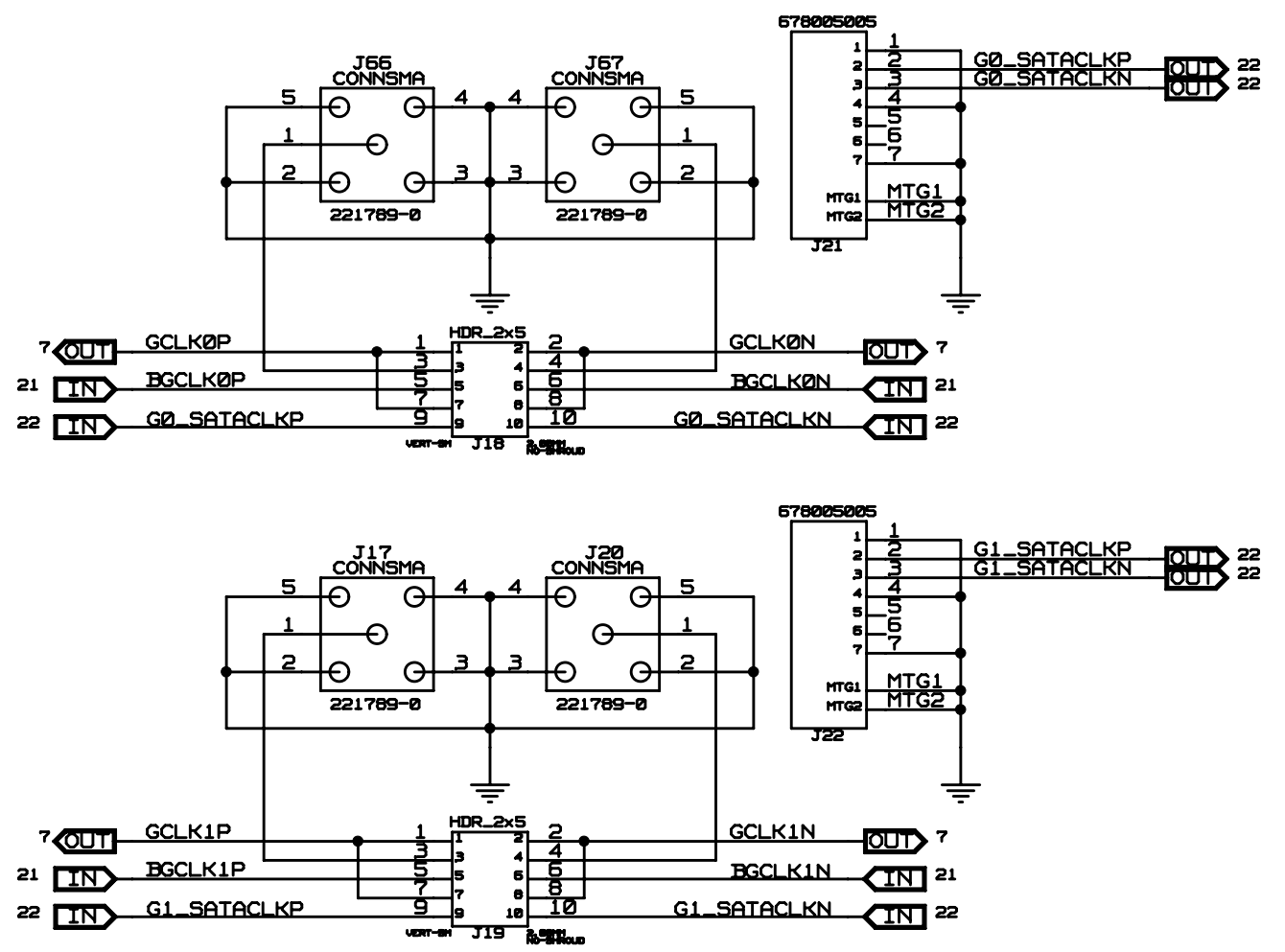
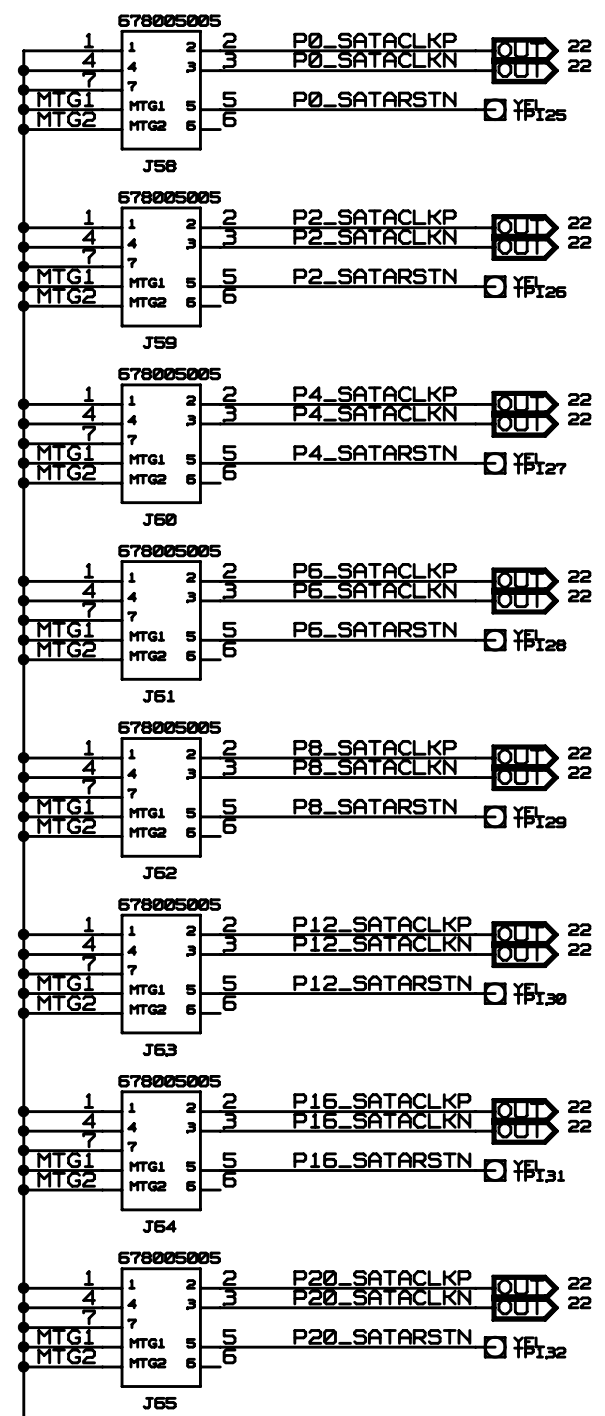
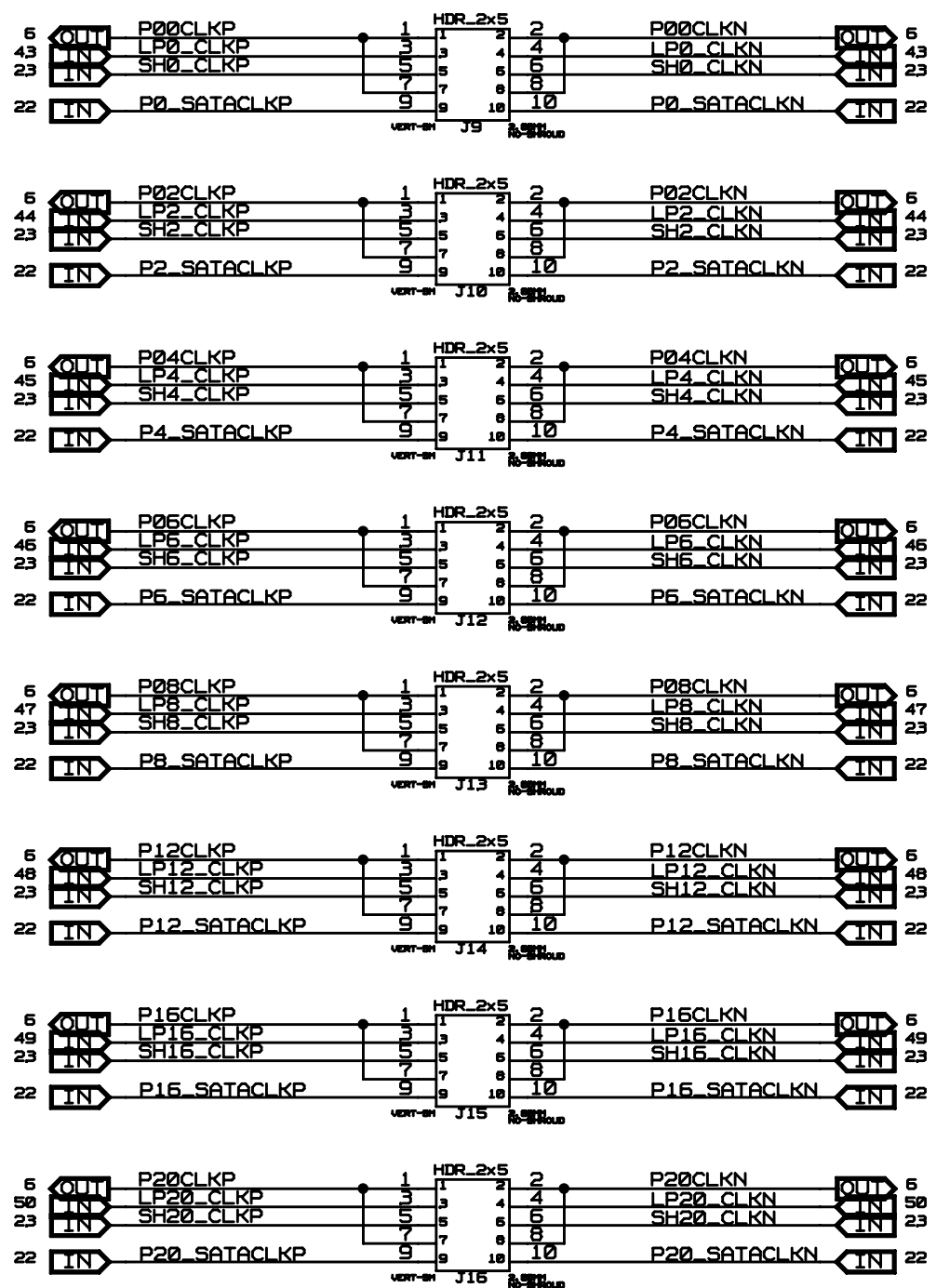


IDT

CONFIDENTIAL PROPERTY OF INTEGRATED DEVICE TECHNOLOGY, INC.
 6024 SILVER CREEK VALLEY ROAD, SAN JOSE, CA 95138
 COPYRIGHT (C)2010 IDT

TITLE EB-LOGAN-23			
CLOCK BUFFER - 1			
SIZE	DRAWING NO.	FAB P/N	REV.
B	SCH-PESEB-001	18-691-000	1.1
AUTHOR		CHECKED BY	
Tony Tran		Derek Huang	
Mon Apr 19 14:30:49 2010			SHEET 21 OF 50

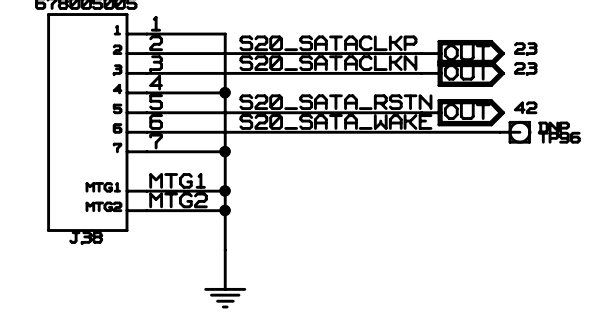
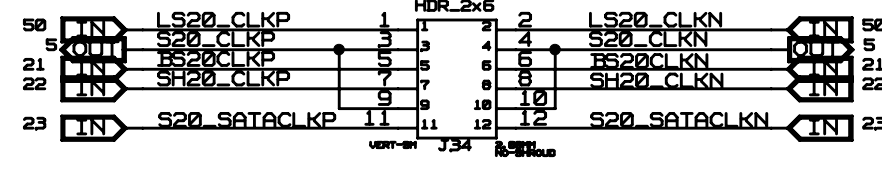
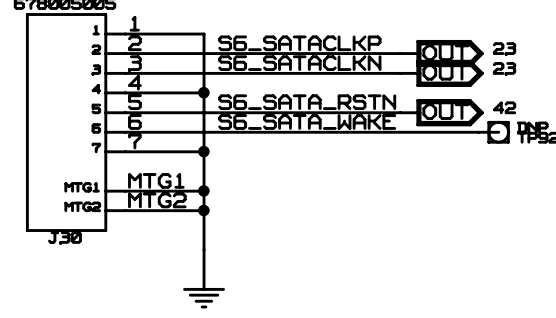
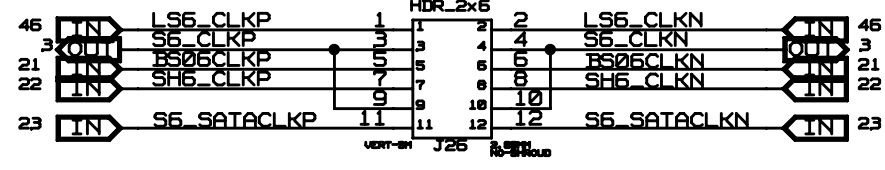
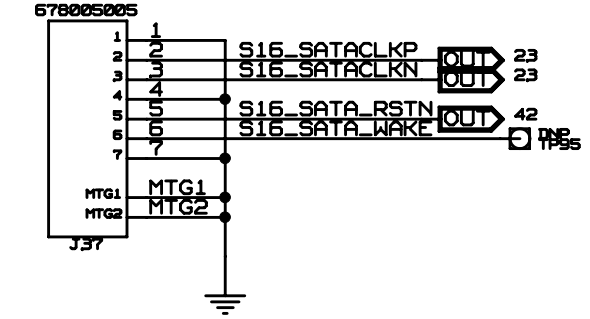
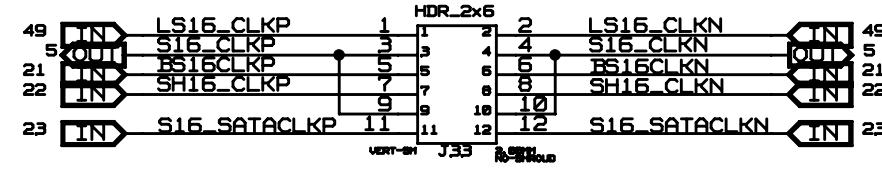
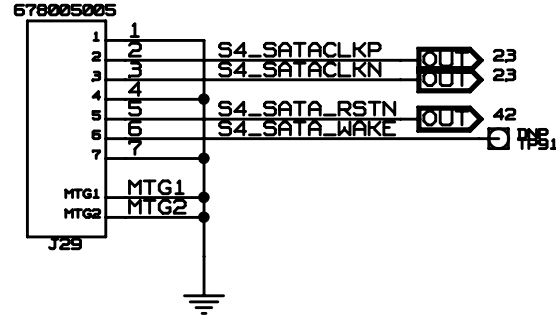
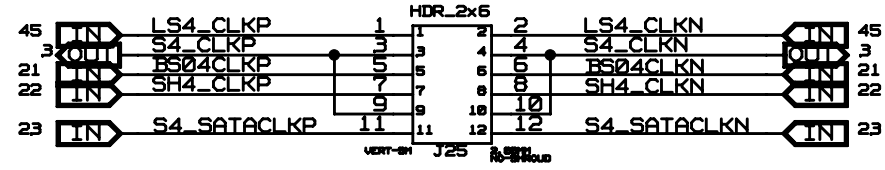
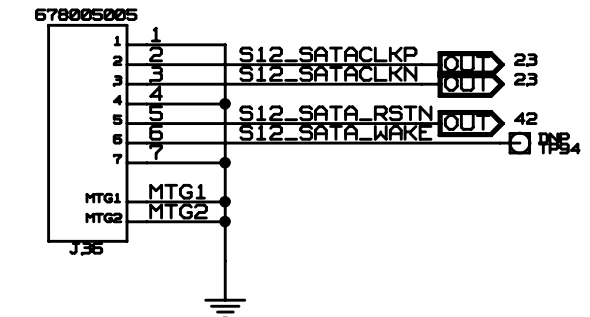
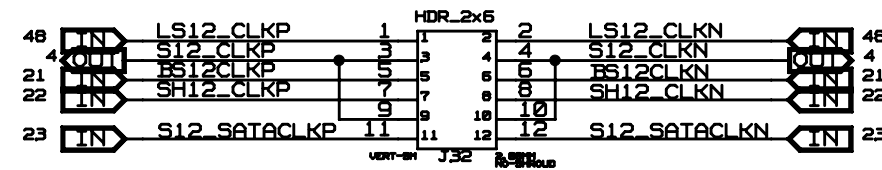
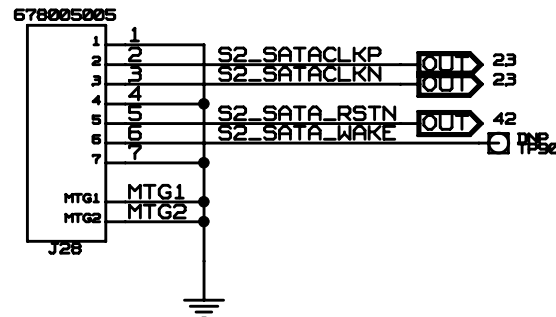
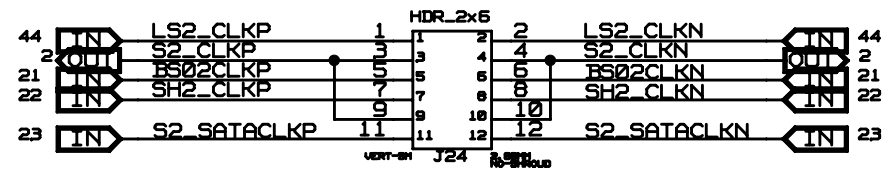
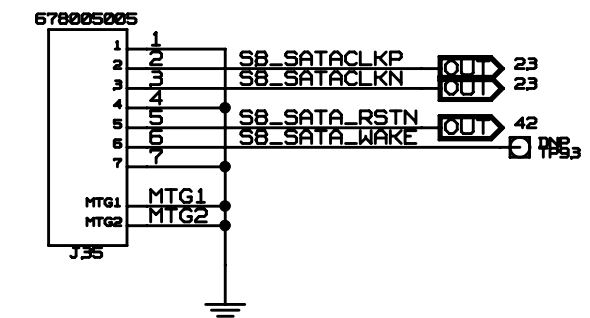
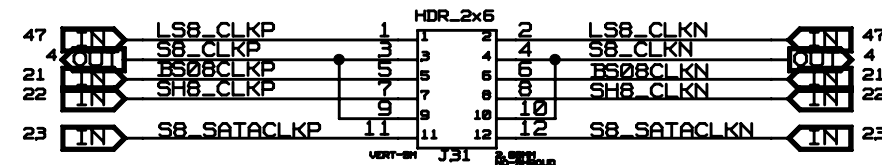
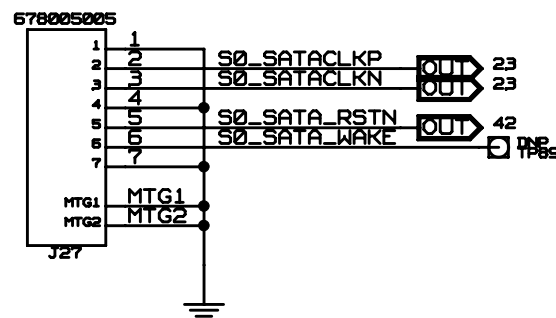
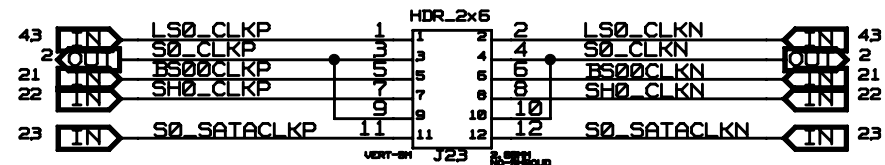
PXXCLK - DUT CLK
 LPXXCLK - LOCAL CLOCK GEN. PORT CLK
 SHXXCLK - SLOT HDR. CLK



CONFIDENTIAL PROPERTY OF INTEGRATED DEVICE TECHNOLOGY, INC.
 6024 SILVER CREEK VALLEY ROAD, SAN JOSE, CA 95138
 COPYRIGHT (C)2010 IDT

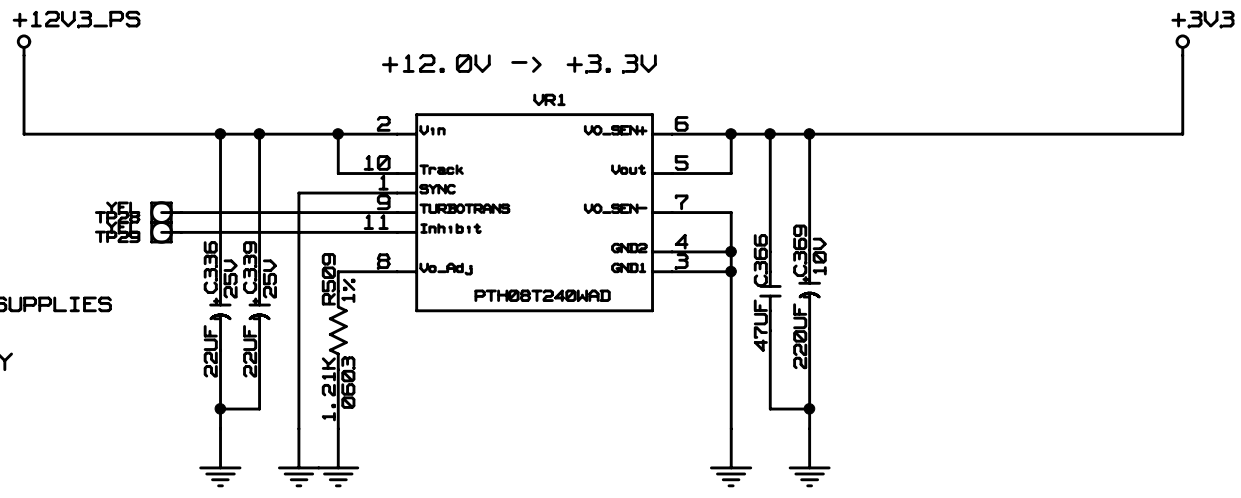
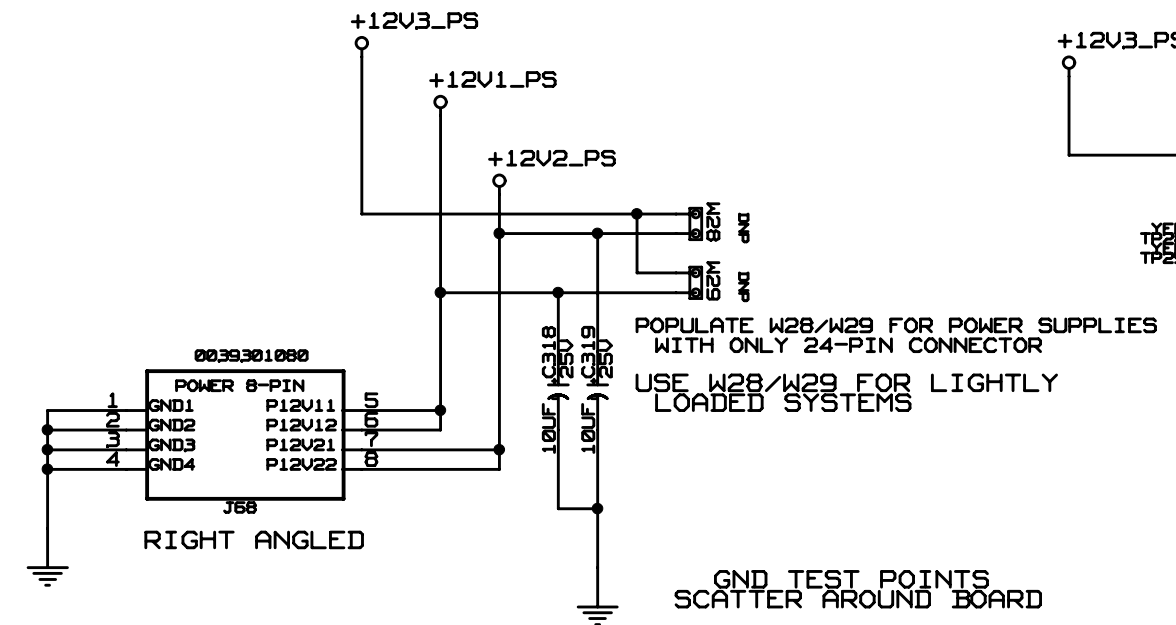
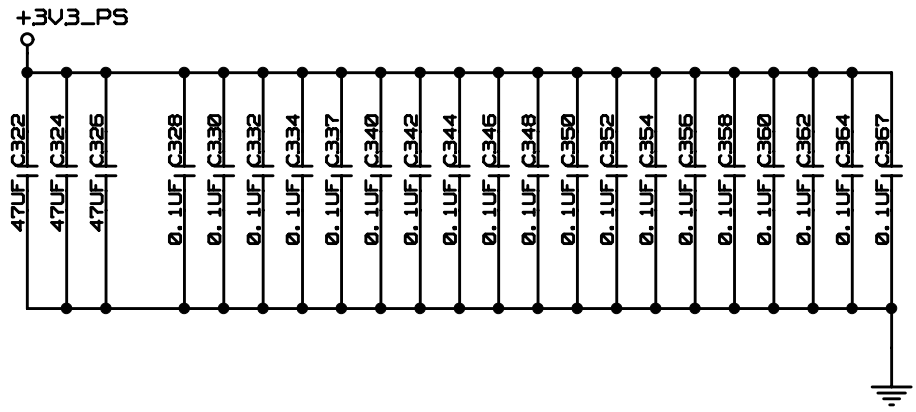
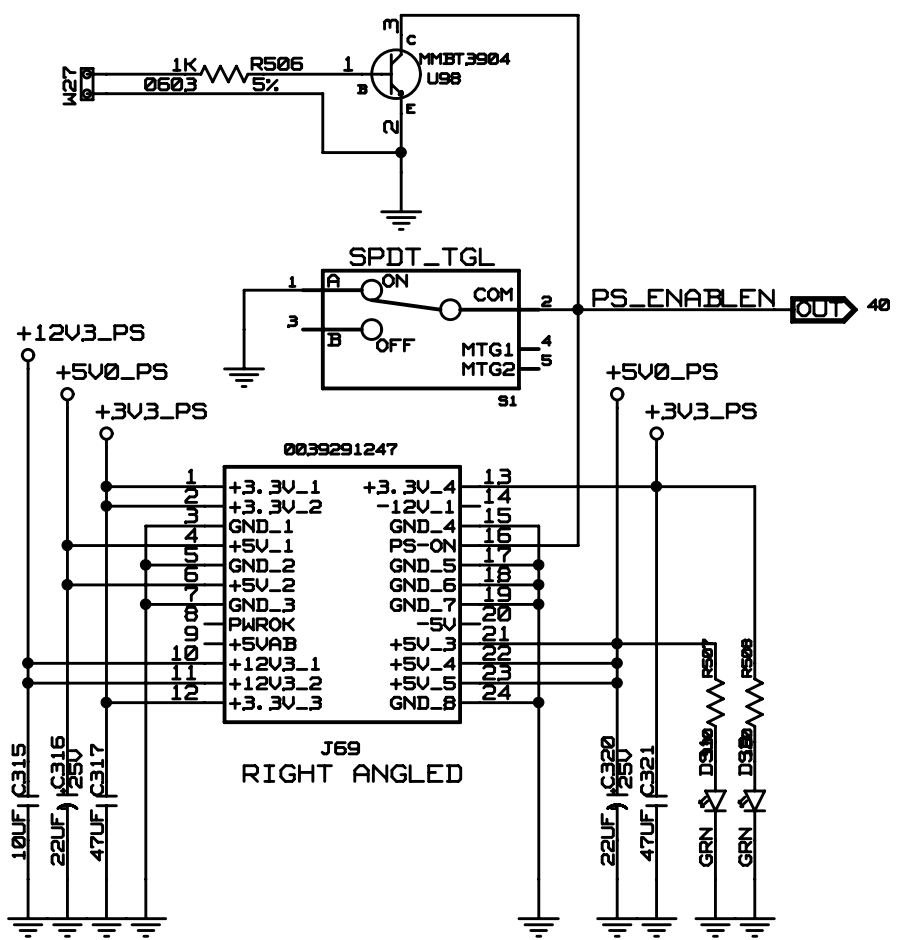
TITLE EB-LOGAN-23			
CLOCK SELECTOR DUT PCLK 0-20, GCLK 0-1			
SIZE	DRAWING NO.	FAB P/N	REV.
B	SCH-PESEB-001	18-691-000	1.1
AUTHOR		CHECKED BY	
Tony Tran		Derek Huang	
Mon Apr 19 14:30:50 2010			SHEET 22 OF 50

SXXCLK - SLOT CLK
 BSXXCLK - BUFFER SLOT CLK
 LSXXCLK - LOCAL CLOCK GEN. SLOT CLK
 SHXXCLK - SLOT HDR. CLK



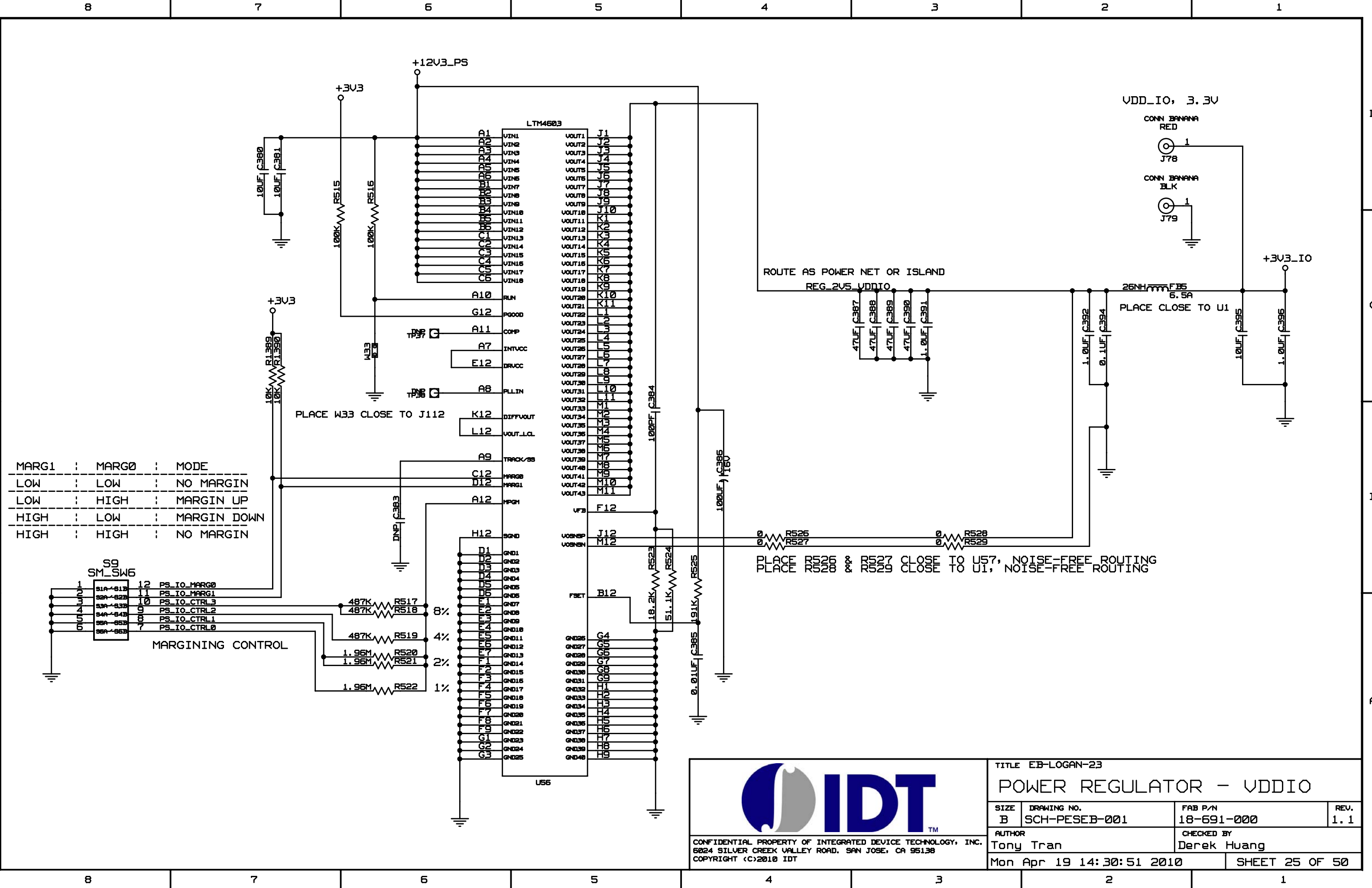
CONFIDENTIAL PROPERTY OF INTEGRATED DEVICE TECHNOLOGY, INC.
 6024 SILVER CREEK VALLEY ROAD, SAN JOSE, CA 95138
 COPYRIGHT (C)2010 IDT

TITLE EB-LOGAN-23			
CLOCK SELECTOR SLOTS 0-20			
SIZE	DRAWING NO.	FAB P/N	REV.
B	SCH-PESEB-001	18-691-000	1.1
AUTHOR		CHECKED BY	
Tony Tran		Derek Huang	
Mon Apr 19 14:30:58 2010			SHEET 23 OF 50



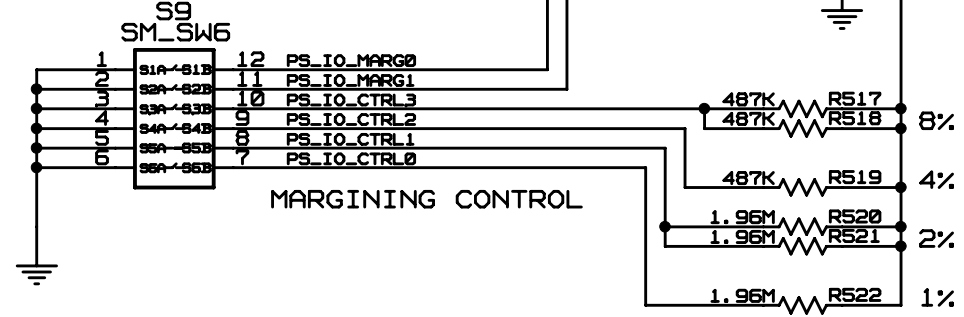
CONFIDENTIAL PROPERTY OF INTEGRATED DEVICE TECHNOLOGY, INC.
 6824 SILVER CREEK VALLEY ROAD, SAN JOSE, CA 95138
 COPYRIGHT (C)2010 IDT

TITLE EB-LOGAN-23			
POWER CONNECTORS			
SIZE B	DRAWING NO. SCH-PESEB-001	FAB P/N 18-691-000	REV. 1.1
AUTHOR Tony Tran		CHECKED BY Derek Huang	
Mon Apr 19 14:30:50 2010			SHEET 24 OF 50



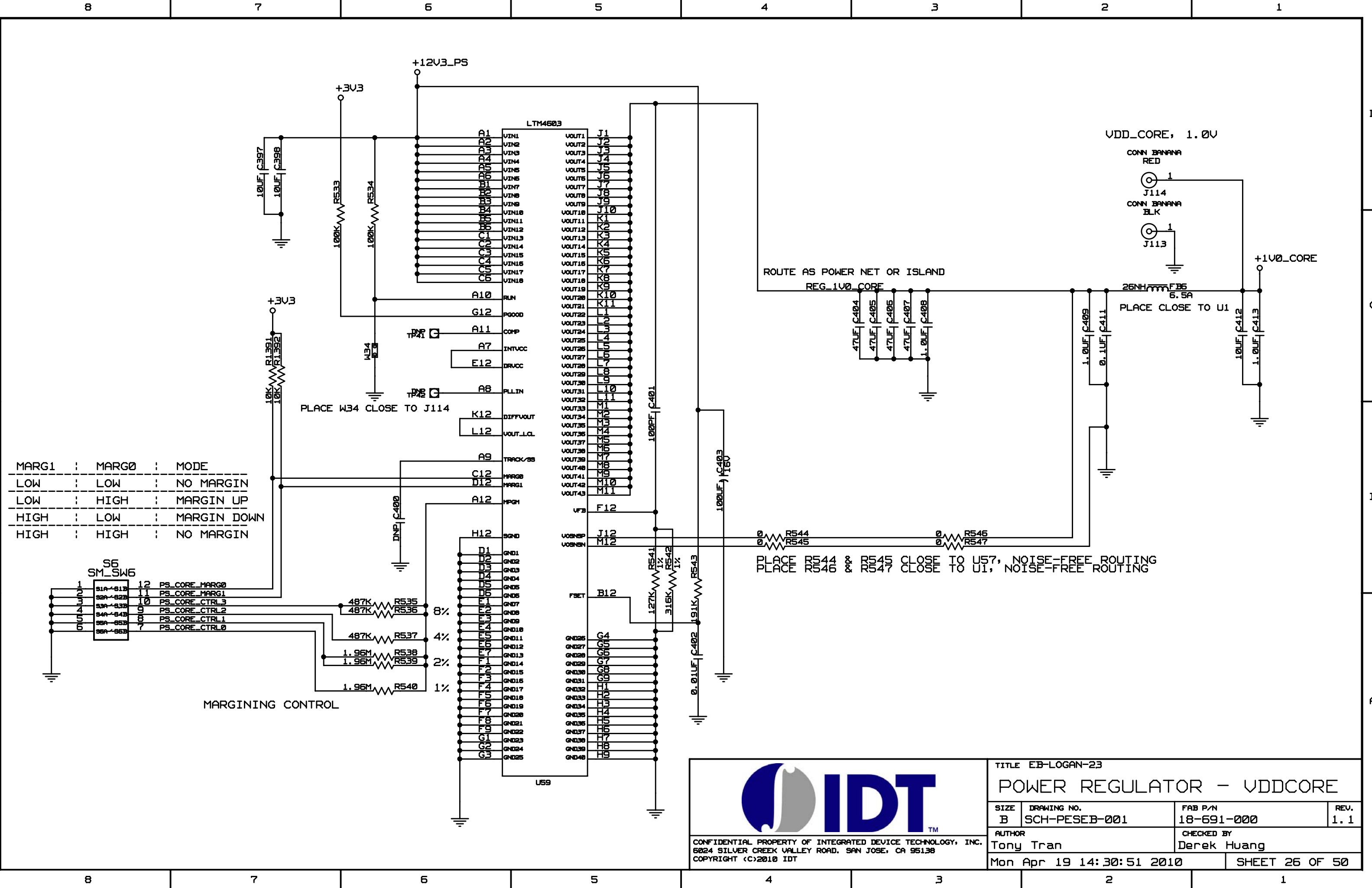
MARG1	MARG0	MODE
LOW	LOW	NO MARGIN
LOW	HIGH	MARGIN UP
HIGH	LOW	MARGIN DOWN
HIGH	HIGH	NO MARGIN

MARGINING CONTROL



CONFIDENTIAL PROPERTY OF INTEGRATED DEVICE TECHNOLOGY, INC.
 6024 SILVER CREEK VALLEY ROAD, SAN JOSE, CA 95138
 COPYRIGHT (C)2010 IDT

TITLE EB-LOGAN-23			
POWER REGULATOR - VDDIO			
SIZE B	DRAWING NO. SCH-PESEB-001	FAB P/N 18-691-000	REV. 1.1
AUTHOR Tony Tran		CHECKED BY Derek Huang	
Mon Apr 19 14:30:51 2010			SHEET 25 OF 50

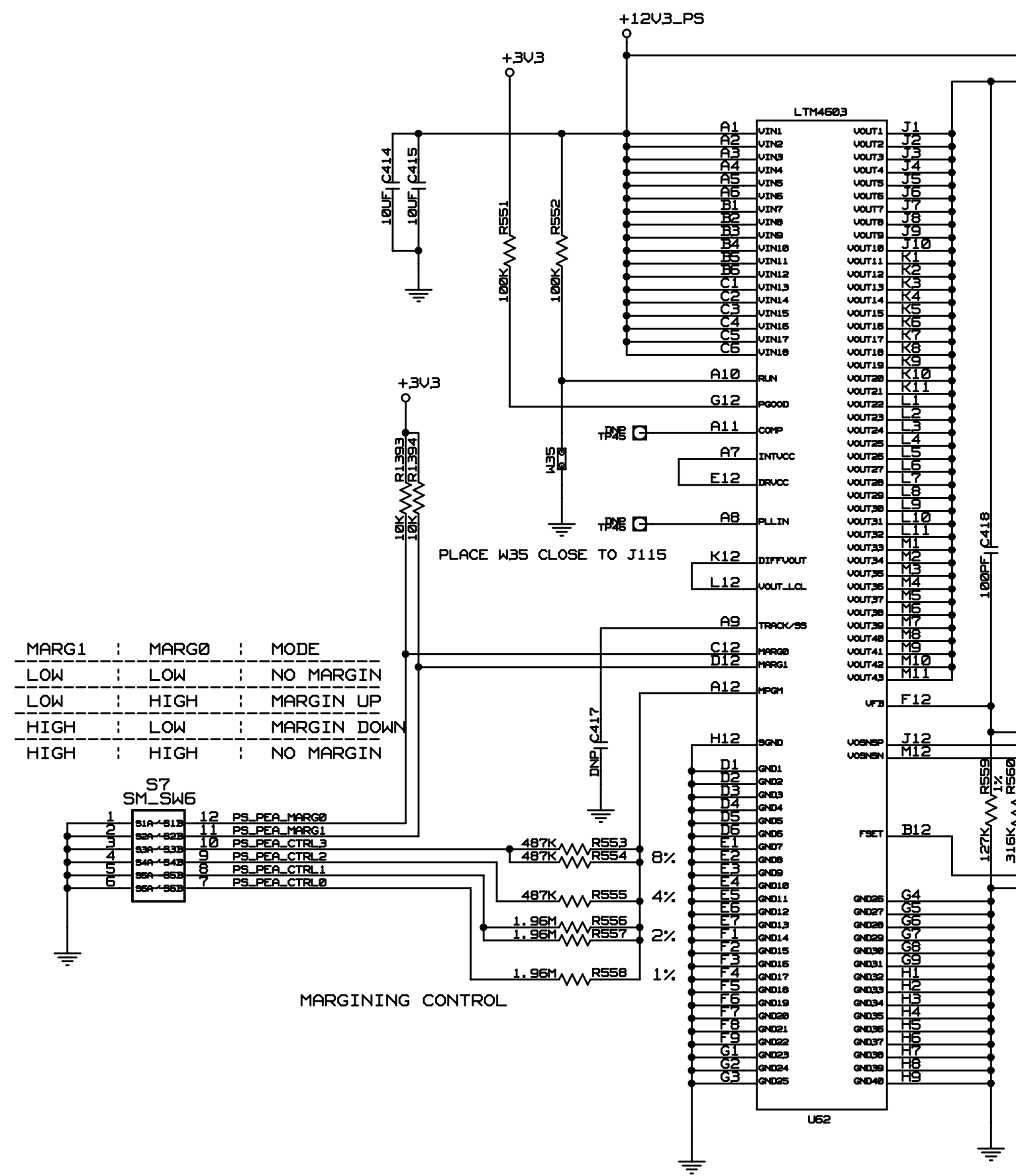


MARG1	MARG0	MODE
LOW	LOW	NO MARGIN
LOW	HIGH	MARGIN UP
HIGH	LOW	MARGIN DOWN
HIGH	HIGH	NO MARGIN

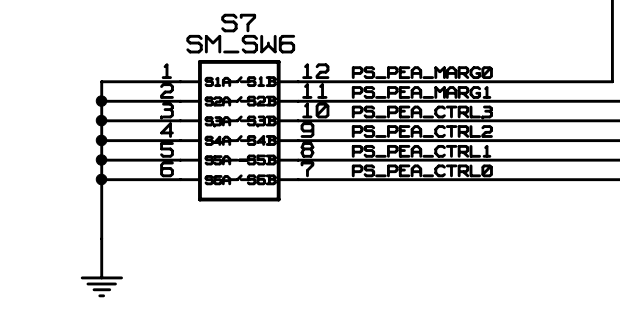
MARGINING CONTROL

CONFIDENTIAL PROPERTY OF INTEGRATED DEVICE TECHNOLOGY, INC.
 6024 SILVER CREEK VALLEY ROAD, SAN JOSE, CA 95138
 COPYRIGHT (C)2010 IDT

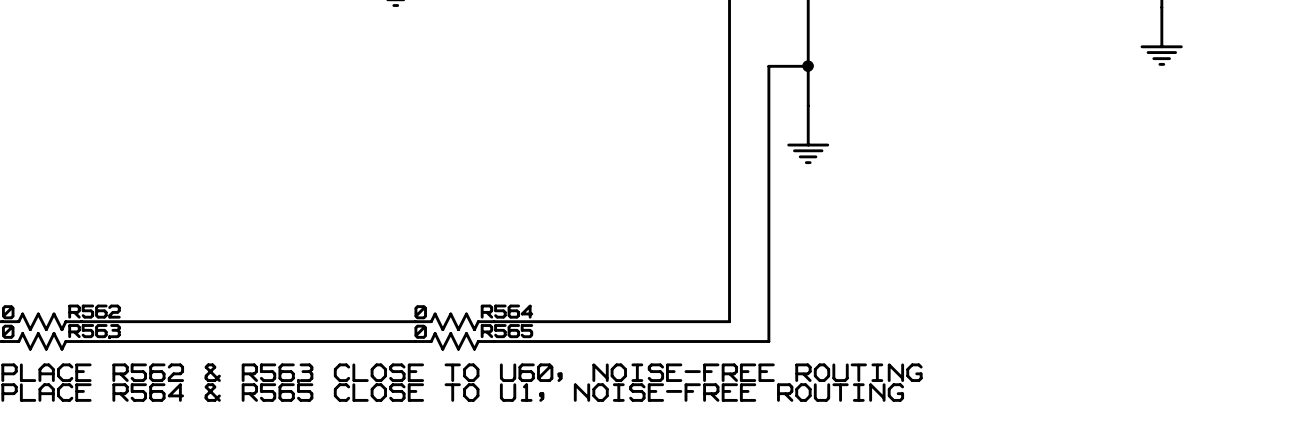
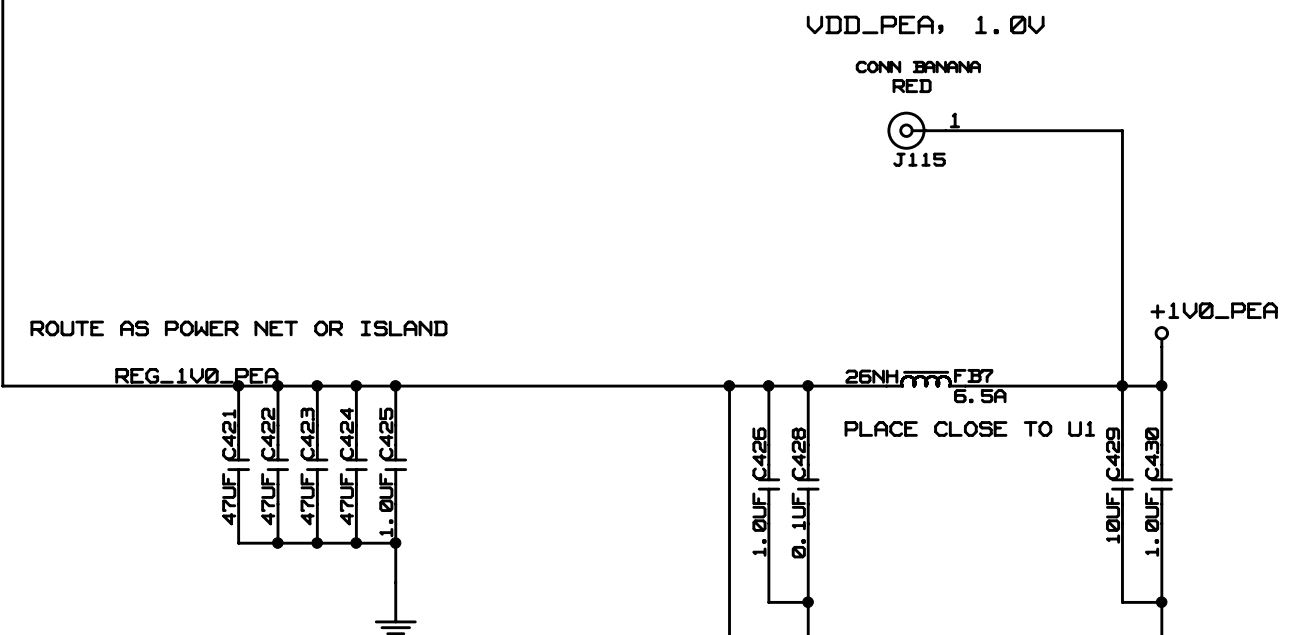
TITLE EB-LOGAN-23			
POWER REGULATOR - VDDCORE			
SIZE B	DRAWING NO. SCH-PESEB-001	FAB P/N 18-691-000	REV. 1.1
AUTHOR Tony Tran		CHECKED BY Derek Huang	
Mon Apr 19 14:30:51 2010			SHEET 26 OF 50



MARG1	MARG0	MODE
LOW	LOW	NO MARGIN
LOW	HIGH	MARGIN UP
HIGH	LOW	MARGIN DOWN
HIGH	HIGH	NO MARGIN

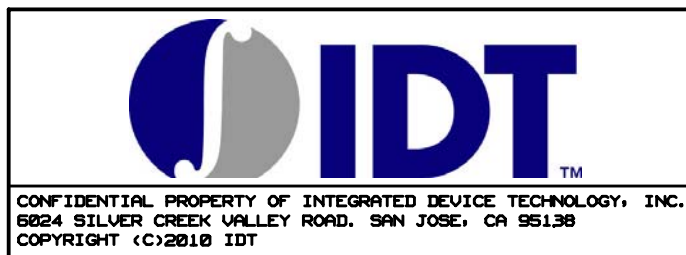
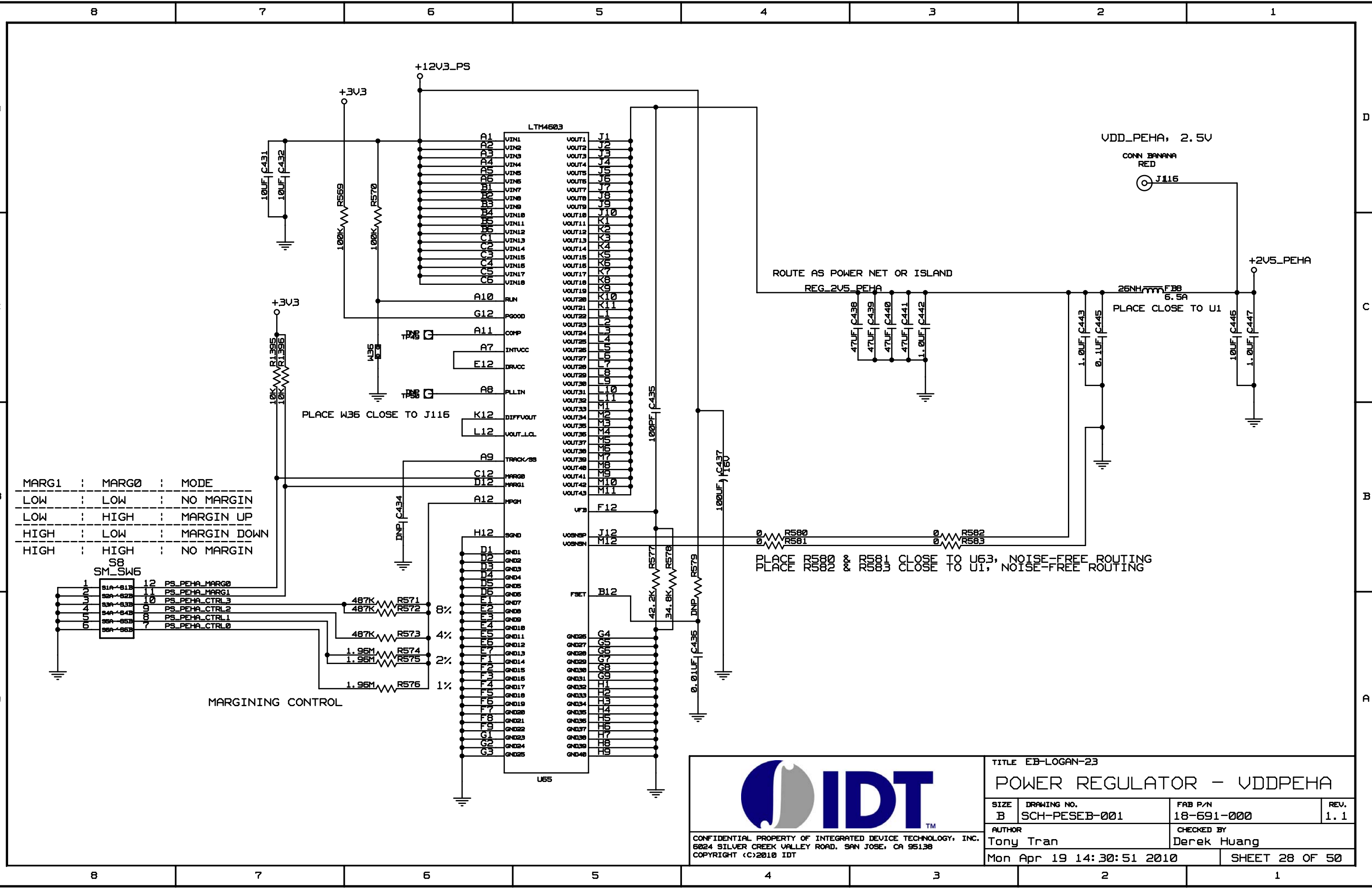


MARGINING CONTROL

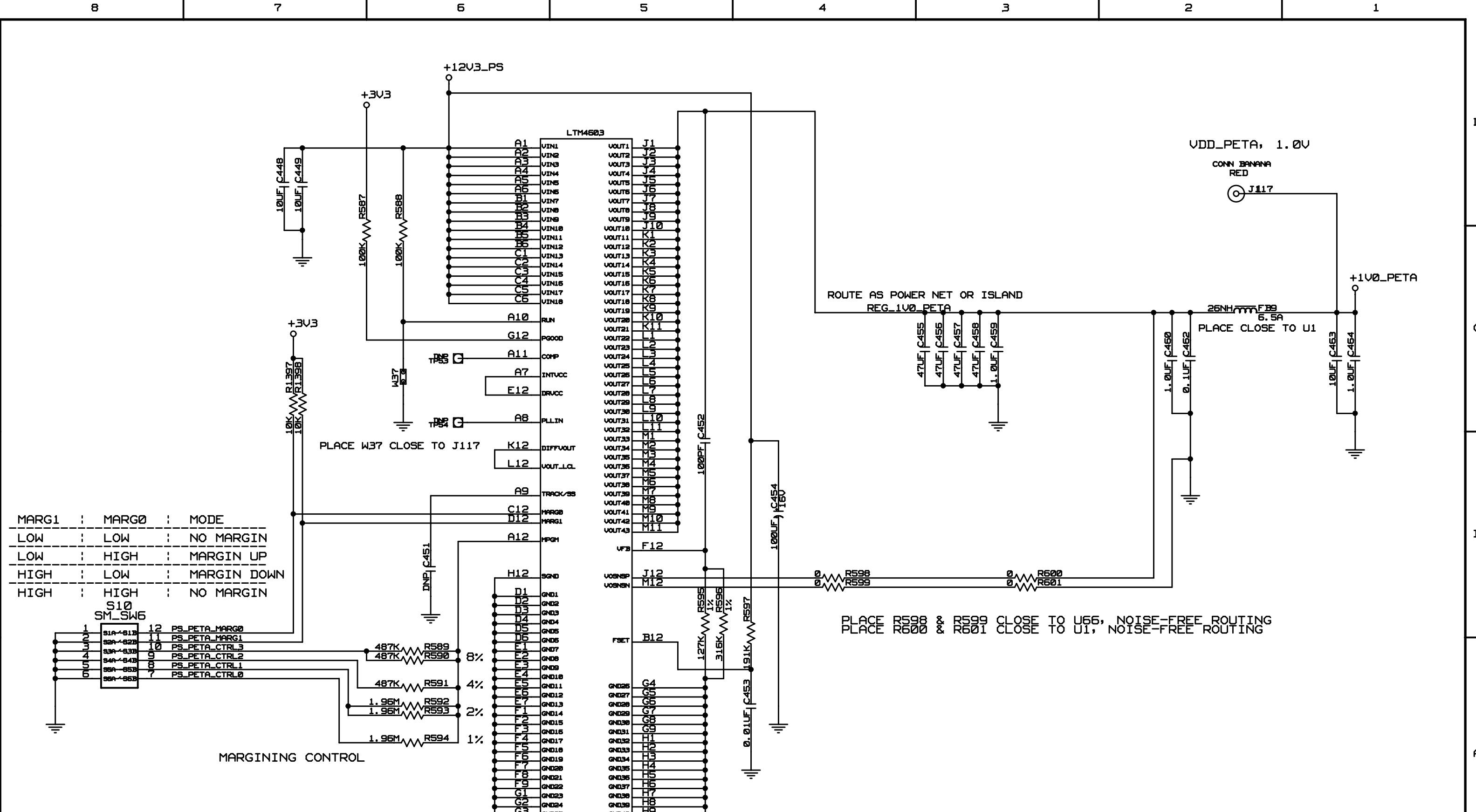


CONFIDENTIAL PROPERTY OF INTEGRATED DEVICE TECHNOLOGY, INC.
6024 SILVER CREEK VALLEY ROAD, SAN JOSE, CA 95138
COPYRIGHT (C)2010 IDT

TITLE EB-LOGAN-23			
POWER REGULATOR - VDDPEA			
SIZE	DRAWING NO.	FAB P/N	REV.
B	SCH-PESEB-001	18-691-000	1.1
AUTHOR		CHECKED BY	
Tony Tran		Derek Huang	
Mon Apr 19 14:30:51 2010			SHEET 27 OF 50



TITLE EB-LOGAN-23			
POWER REGULATOR - VDDPEHA			
SIZE B	DRAWING NO. SCH-PESEB-001	FAB P/N 18-691-000	REV. 1.1
AUTHOR Tony Tran		CHECKED BY Derek Huang	
Mon Apr 19 14:30:51 2010			SHEET 28 OF 50



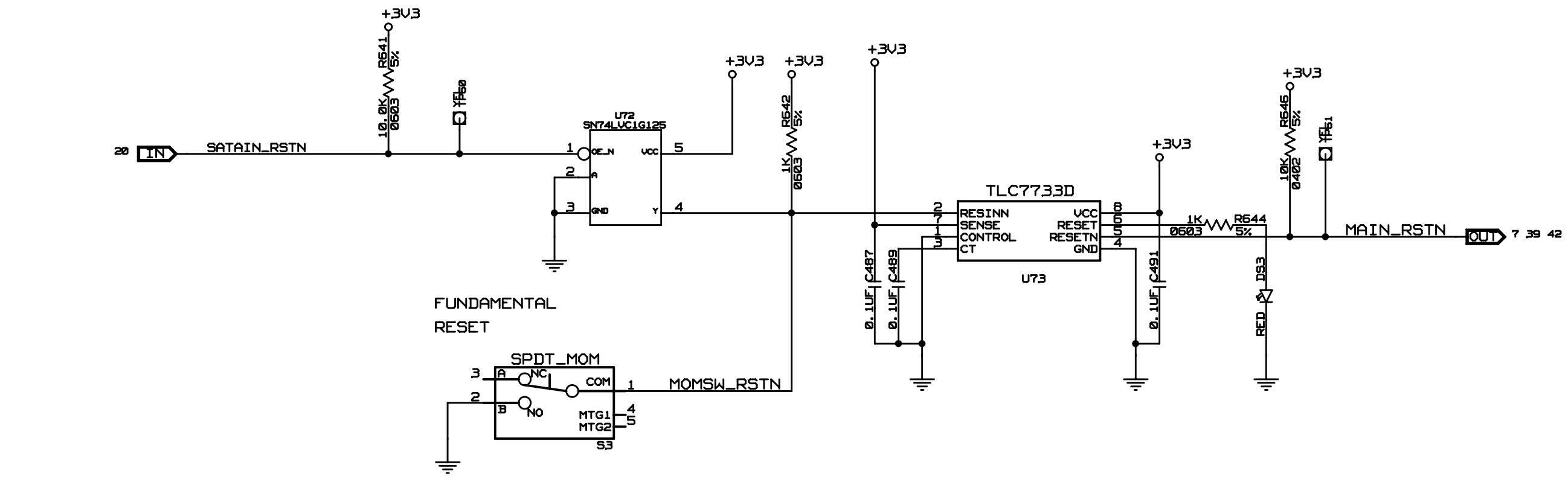
MARGINING CONTROL

PLACE R598 & R599 CLOSE TO U66, NOISE-FREE ROUTING
 PLACE R600 & R601 CLOSE TO U1, NOISE-FREE ROUTING

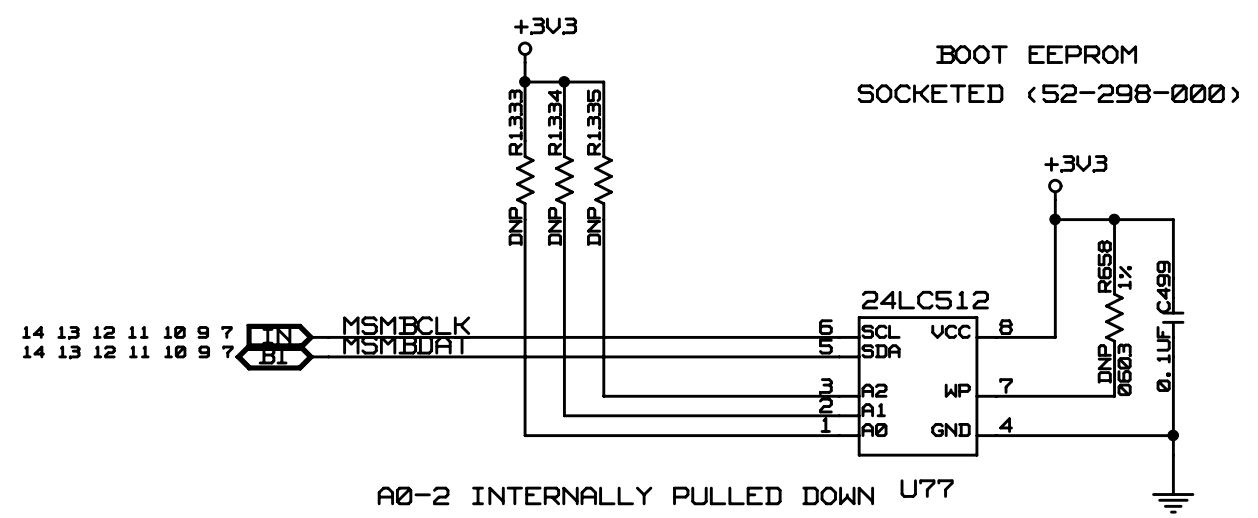
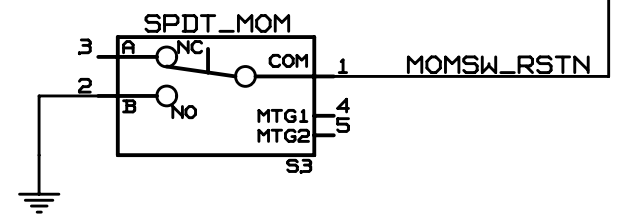


CONFIDENTIAL PROPERTY OF INTEGRATED DEVICE TECHNOLOGY, INC.
 6024 SILVER CREEK VALLEY ROAD, SAN JOSE, CA 95138
 COPYRIGHT (C)2010 IDT

TITLE EB-LOGAN-23			
POWER REGULATOR - VDDPETA			
SIZE B	DRAWING NO. SCH-PESEB-001	FAB P/N 18-691-000	REV. 1.1
AUTHOR Tony Tran		CHECKED BY Derek Huang	
Mon Apr 19 14:30:52 2010			SHEET 29 OF 50

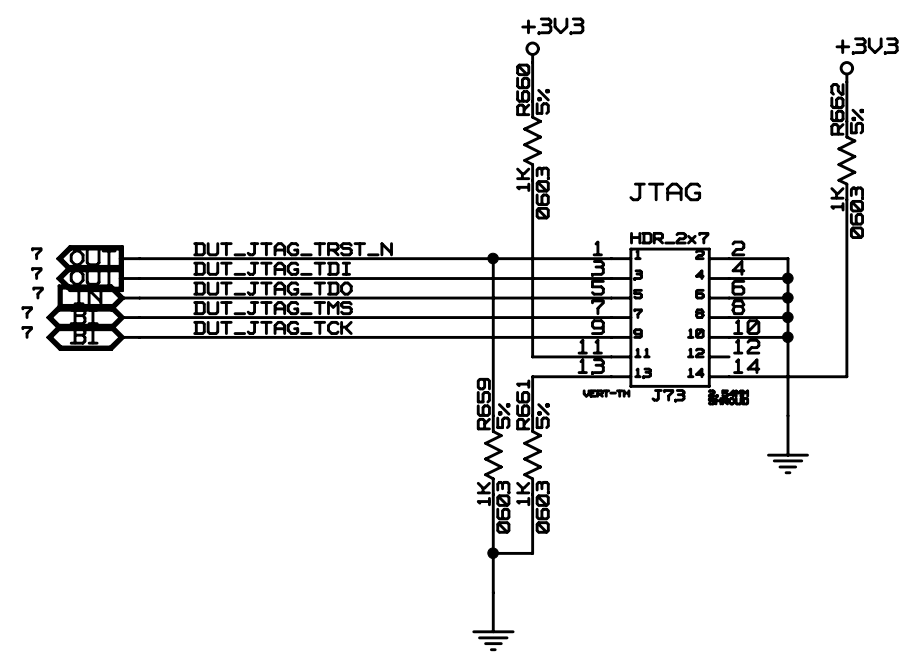


FUNDAMENTAL
RESET

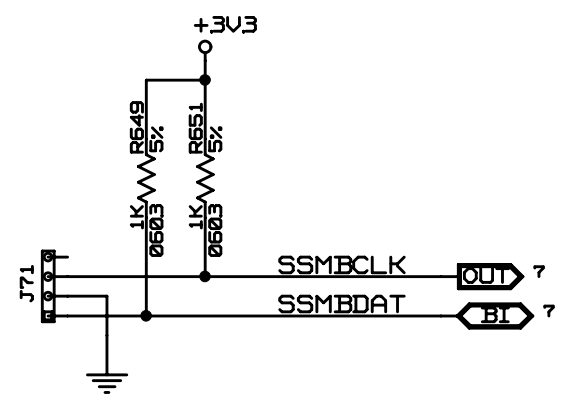


BOOT EEPROM
SOCKETED (52-298-000)

A0-2 INTERNALLY PULLED DOWN U77



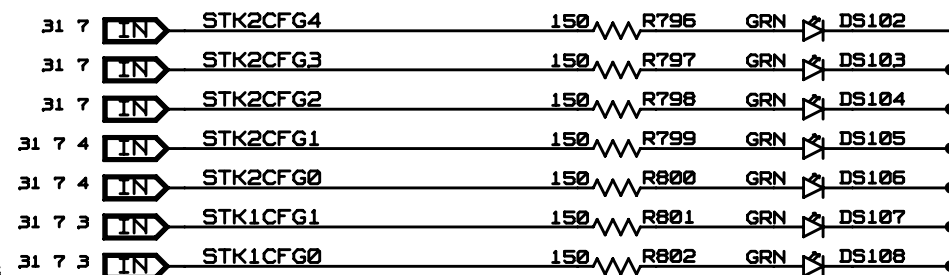
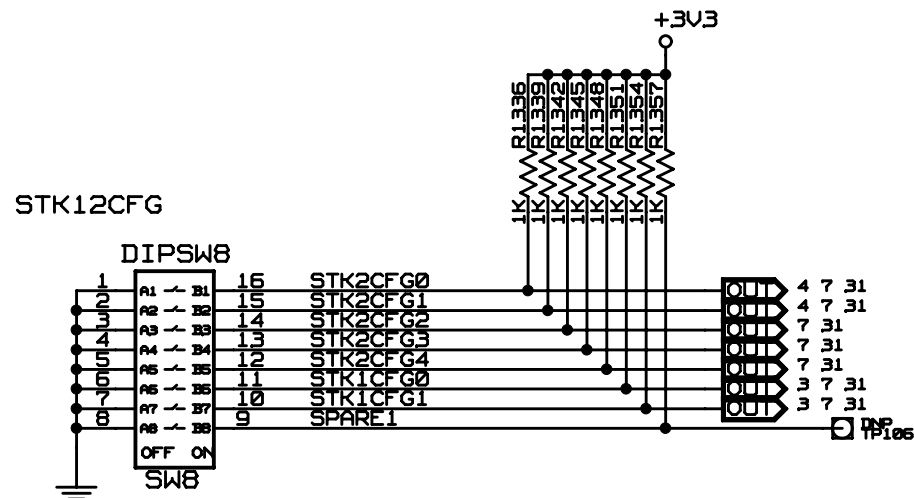
JTAG



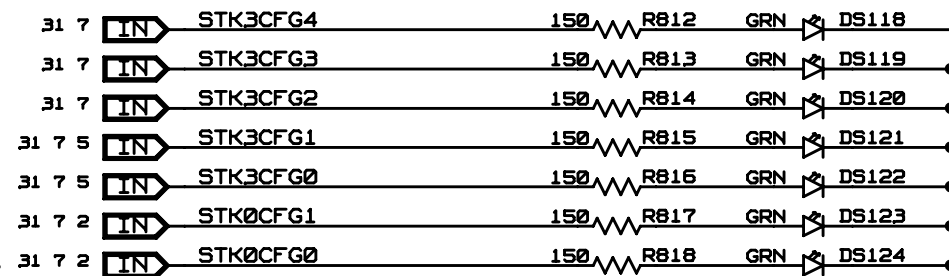
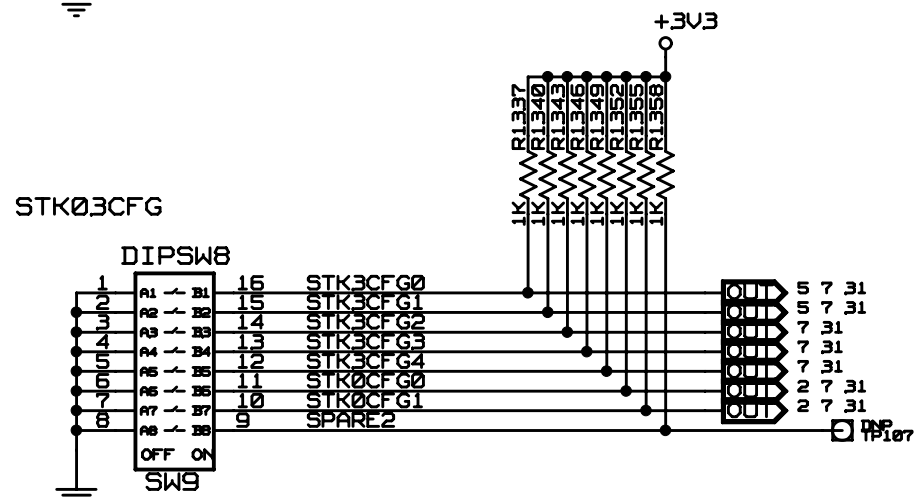
CONFIDENTIAL PROPERTY OF INTEGRATED DEVICE TECHNOLOGY, INC.
6024 SILVER CREEK VALLEY ROAD, SAN JOSE, CA 95138
COPYRIGHT (C)2010 IDT

TITLE EB-LOGAN-23			
RESET, SMBUS, EEPROM, JTAG			
SIZE B	DRAWING NO. SCH-PESEB-001	FAB P/N 18-691-000	REV. 1.1
AUTHOR Tony Tran		CHECKED BY Derek Huang	
Mon Apr 19 14:30:52 2010			SHEET 30 OF 50

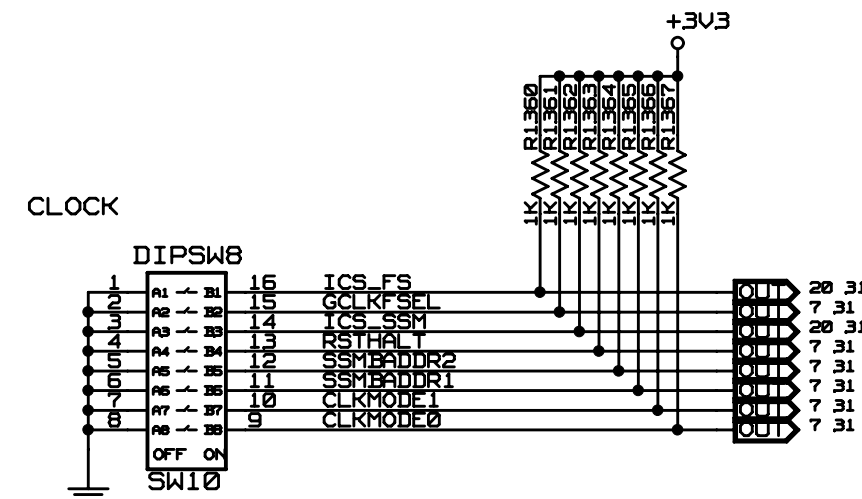
(GREEN) ACTIVE HIGH - DIP STK12CFG



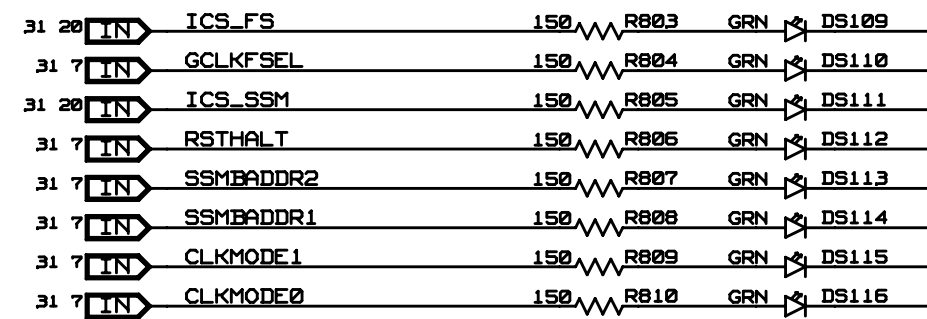
(GREEN) ACTIVE HIGH - DIP STK03CFG



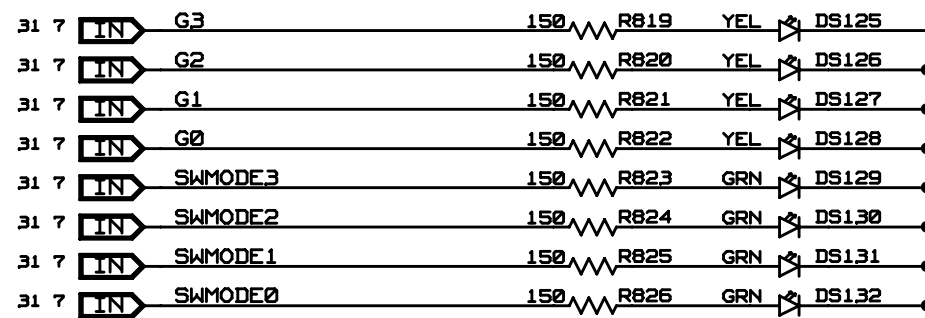
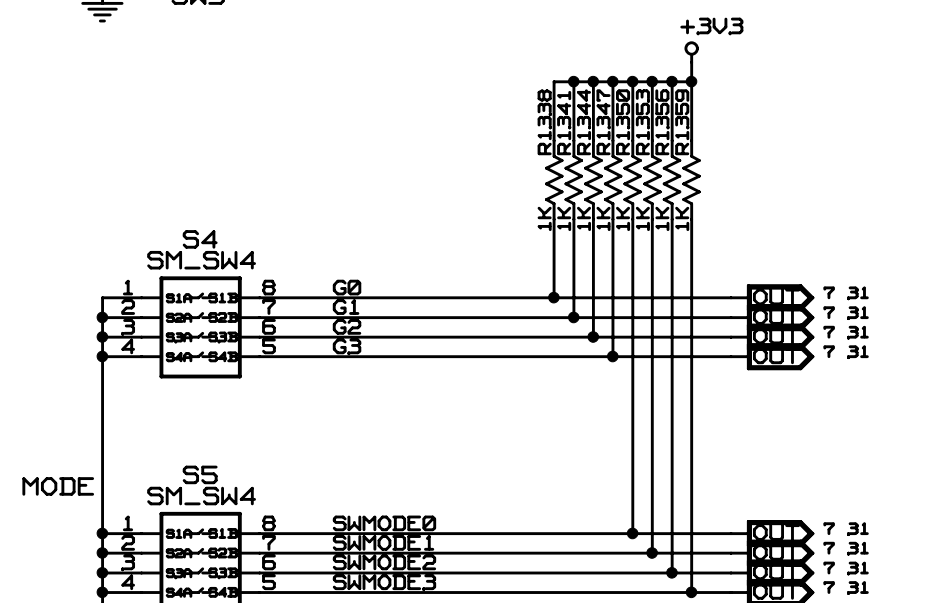
CLOCK



(GREEN) ACTIVE HIGH - DIP CLOCK

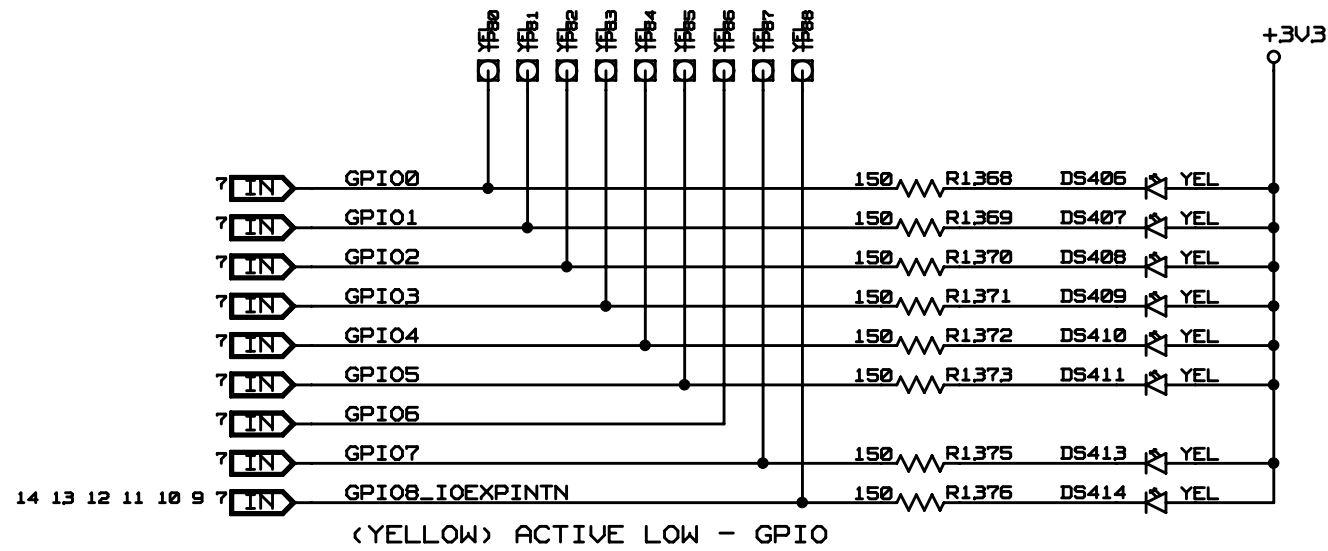


(GREEN) ACTIVE HIGH - DIP MODE



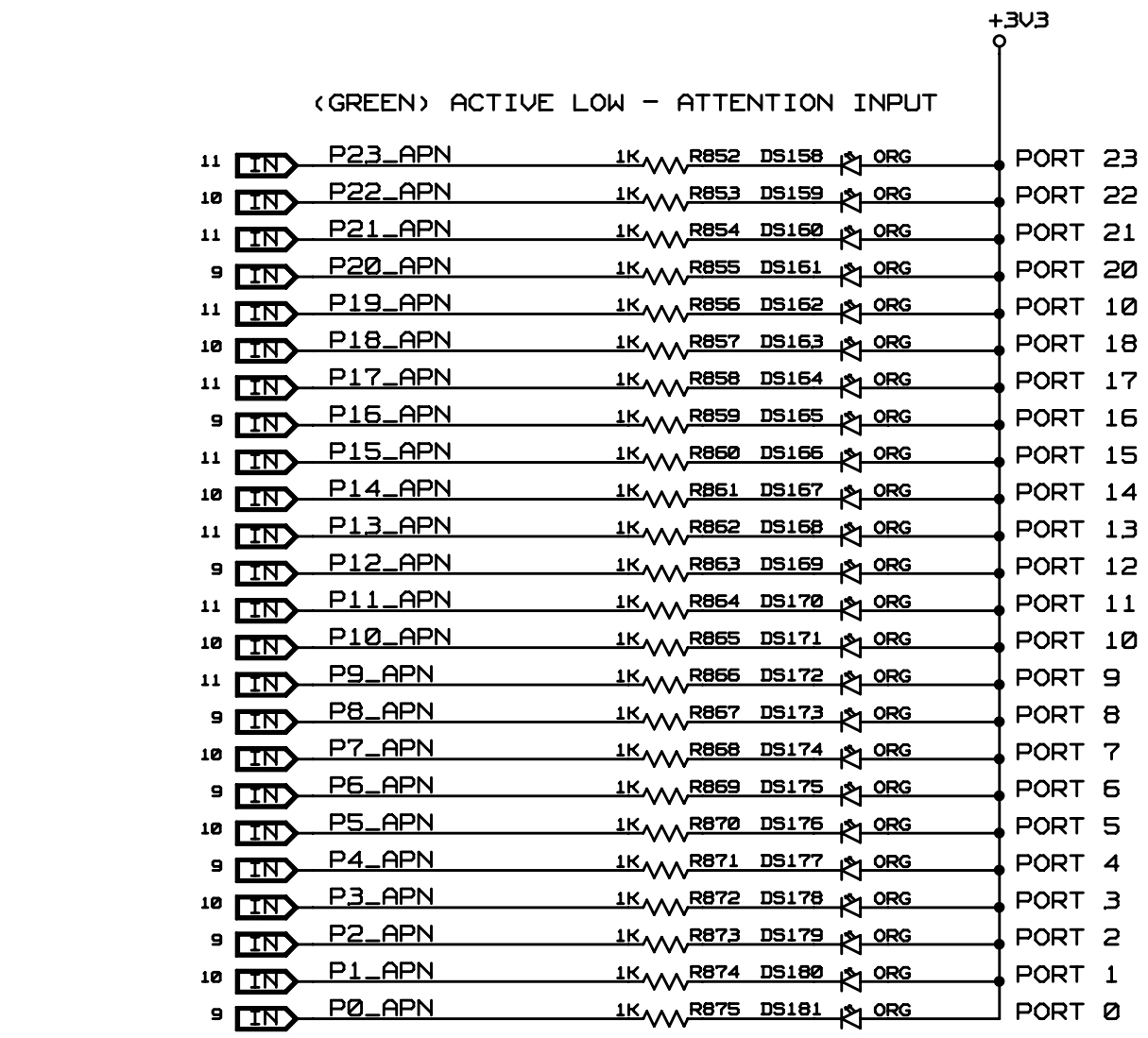
CONFIDENTIAL PROPERTY OF INTEGRATED DEVICE TECHNOLOGY, INC.
6024 SILVER CREEK VALLEY ROAD, SAN JOSE, CA 95138
COPYRIGHT (C)2010 IDT

TITLE EB-LOGAN-23			
DIP SWITCHES			
SIZE B	DRAWING NO. SCH-PESEB-001	FAB P/N 18-691-000	REV. 1.1
AUTHOR Tony Tran		CHECKED BY Derek Huang	
Mon Apr 19 14:30:52 2010			SHEET 31 OF 50

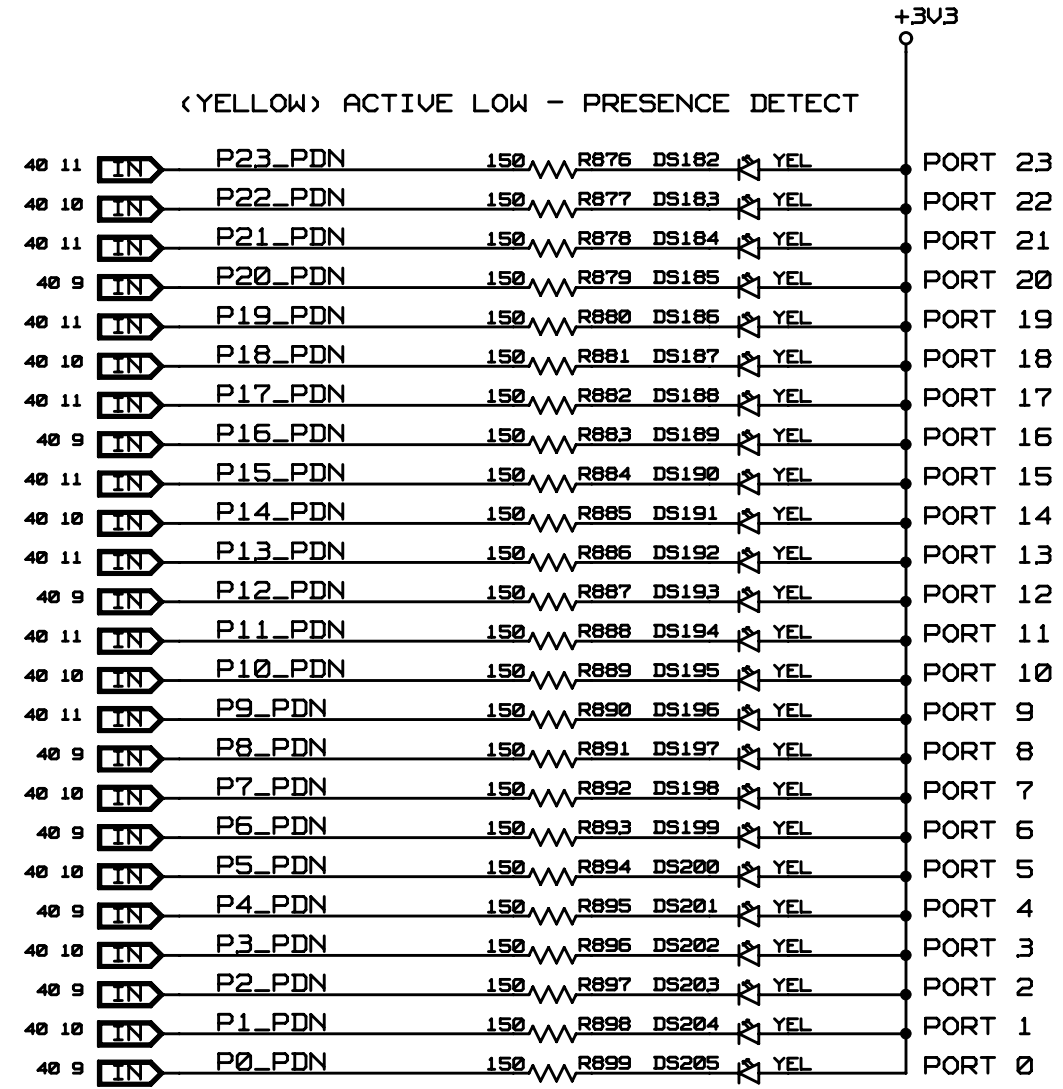


GPIO	ALT0	ALT1
0	PART0PERSTN	P16LINKUPN
1	PART1PERSTN	P16ACTIVEN
2	PART2PERSTN	P4LINKUPN
3	PART3PERSTN	P4ACTIVEN
4	FAILOVER0	P0LINKUPN
5	GPEN	P0ACTIVEN
7	FAILOVER2	P8LINKUPN
8	IOEXPINTN	P8ACTIVEN

<YELLOW> ACTIVE LOW - GPIO



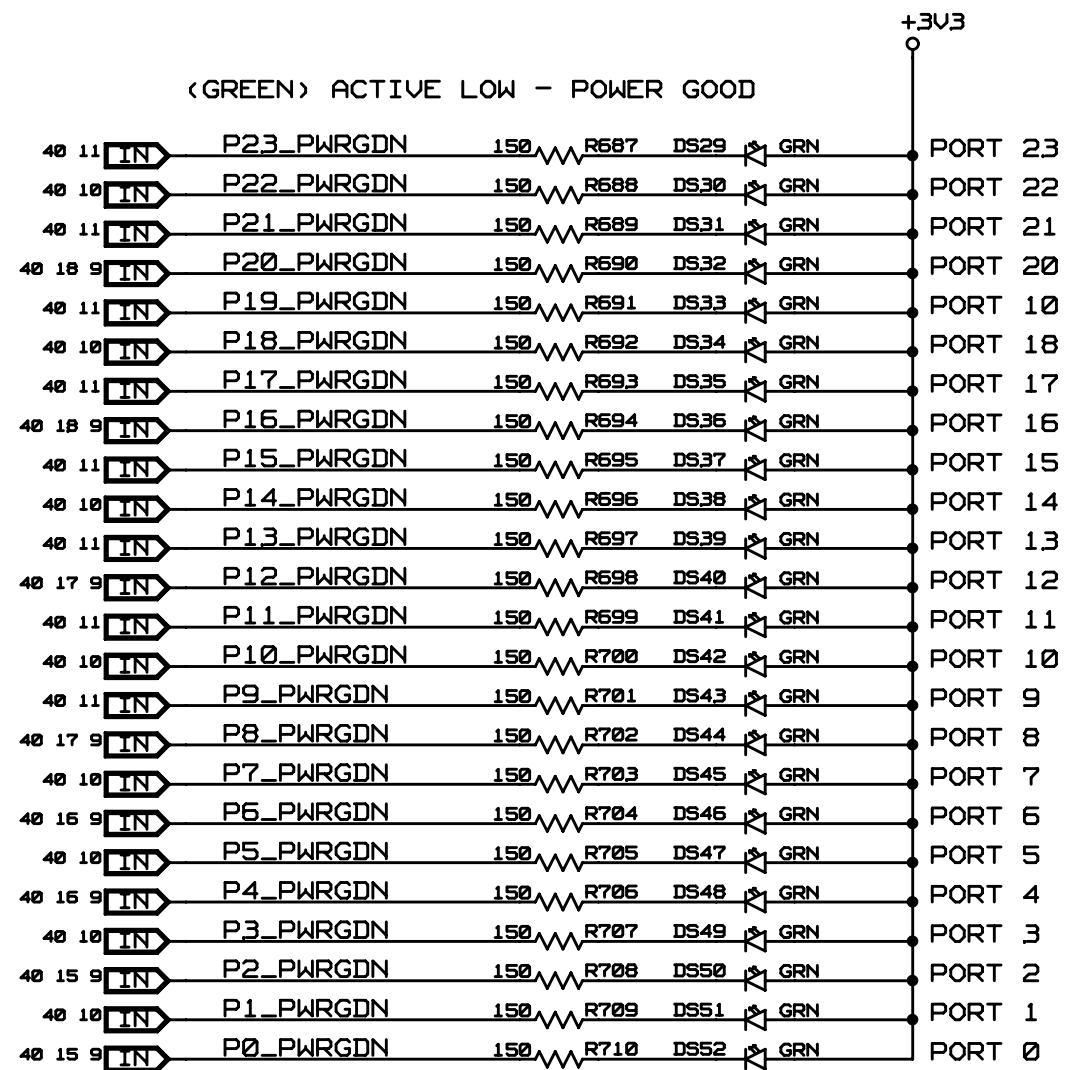
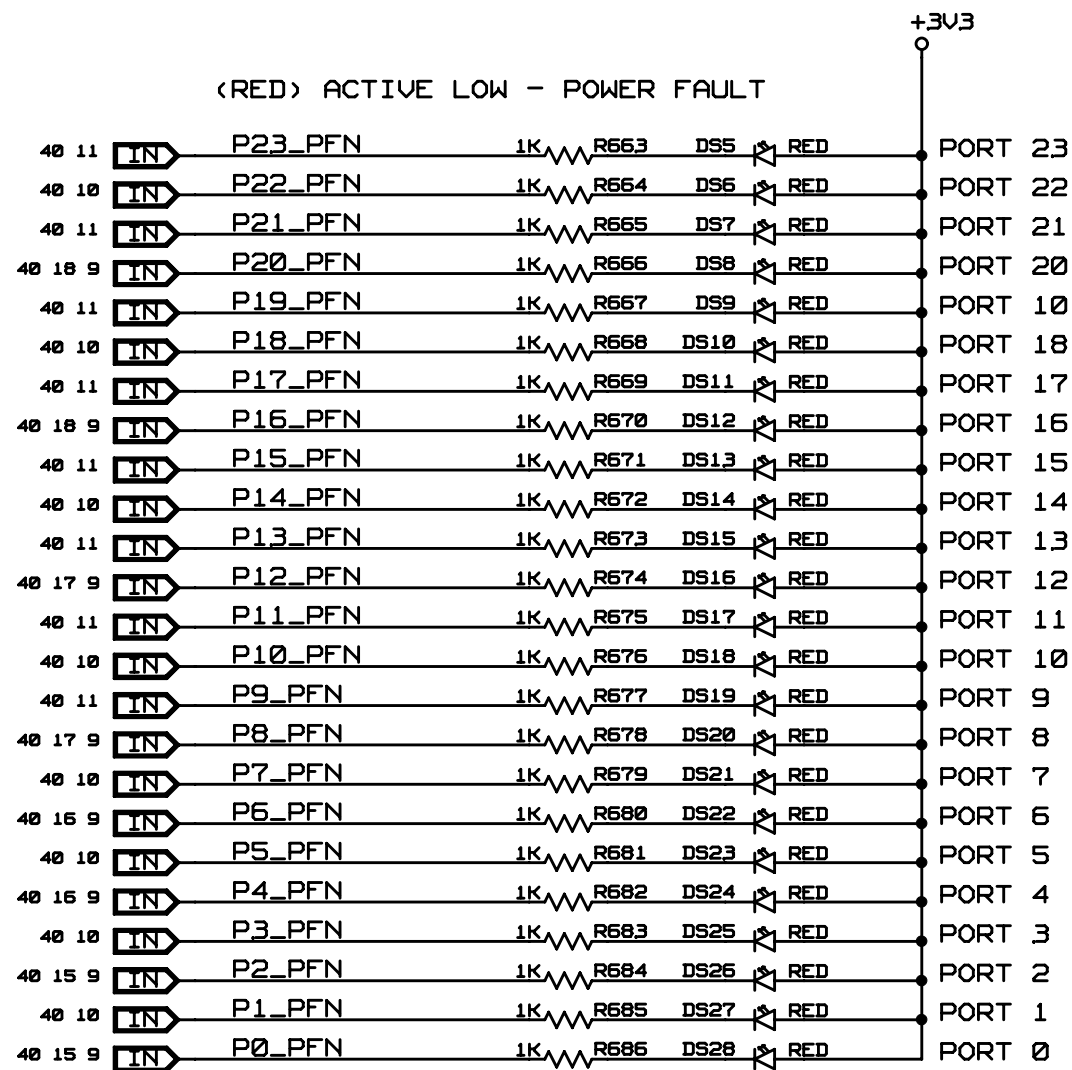
<GREEN> ACTIVE LOW - ATTENTION INPUT



<YELLOW> ACTIVE LOW - PRESENCE DETECT

CONFIDENTIAL PROPERTY OF INTEGRATED DEVICE TECHNOLOGY, INC.
 6024 SILVER CREEK VALLEY ROAD, SAN JOSE, CA 95138
 COPYRIGHT (C)2010 IDT

TITLE EB-LOGAN-23			
LED - PORT STATUS <1 OF 7>			
SIZE B	DRAWING NO. SCH-PESEB-001	FAB P/N 18-691-000	REV. 1.1
AUTHOR Tony Tran		CHECKED BY Derek Huang	
Mon Apr 19 14:30:52 2010			SHEET 32 OF 50



CONFIDENTIAL PROPERTY OF INTEGRATED DEVICE TECHNOLOGY, INC.
 6024 SILVER CREEK VALLEY ROAD, SAN JOSE, CA 95138
 COPYRIGHT (C)2010 IDT

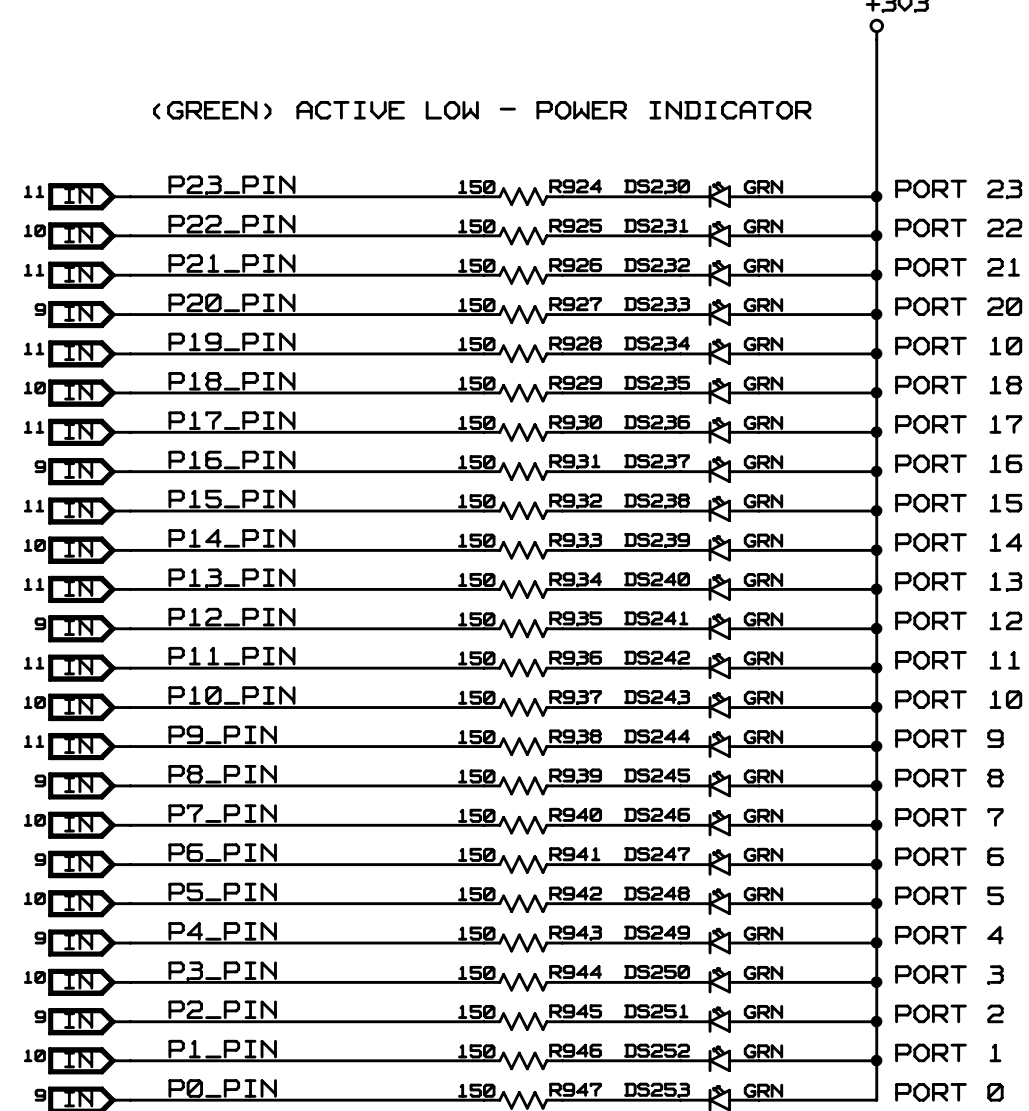
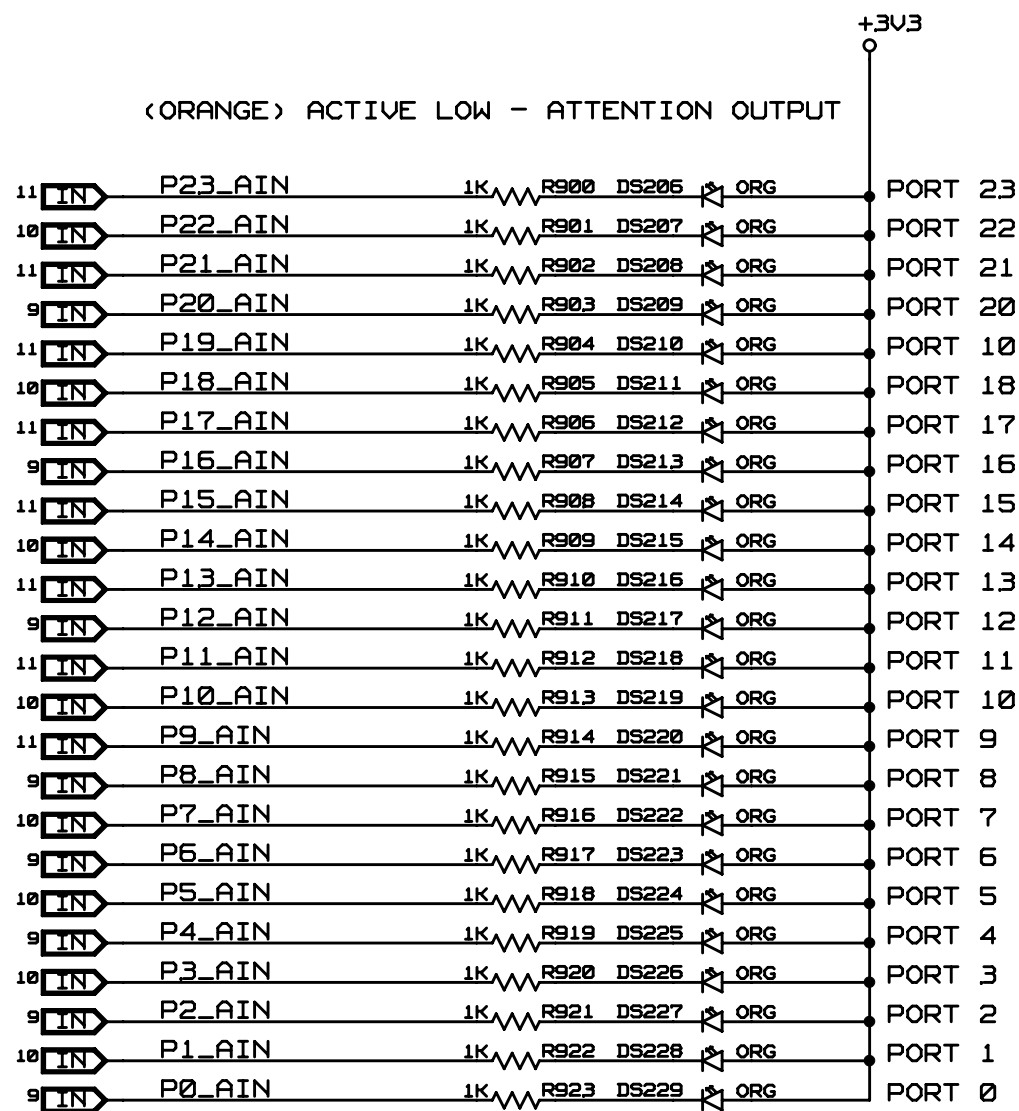
TITLE EB-LOGAN-23

LED - PORT STATUS (2 OF 7)

SIZE B	DRAWING NO. SCH-PESEB-001	FAB P/N 18-691-000	REV. 1.1
-----------	------------------------------	-----------------------	-------------

AUTHOR Tony Tran	CHECKED BY Derek Huang
---------------------	---------------------------

Mon Apr 19 14:30:53 2010 SHEET 33 OF 50



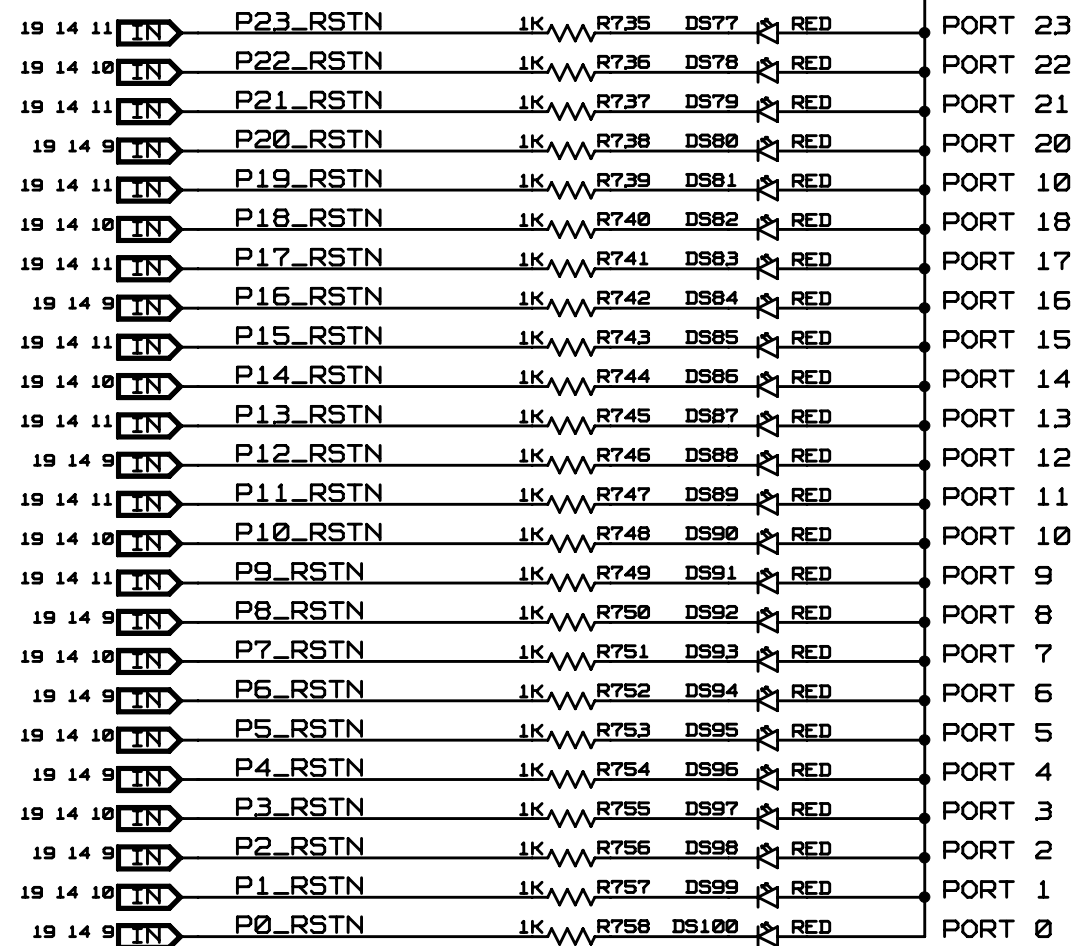
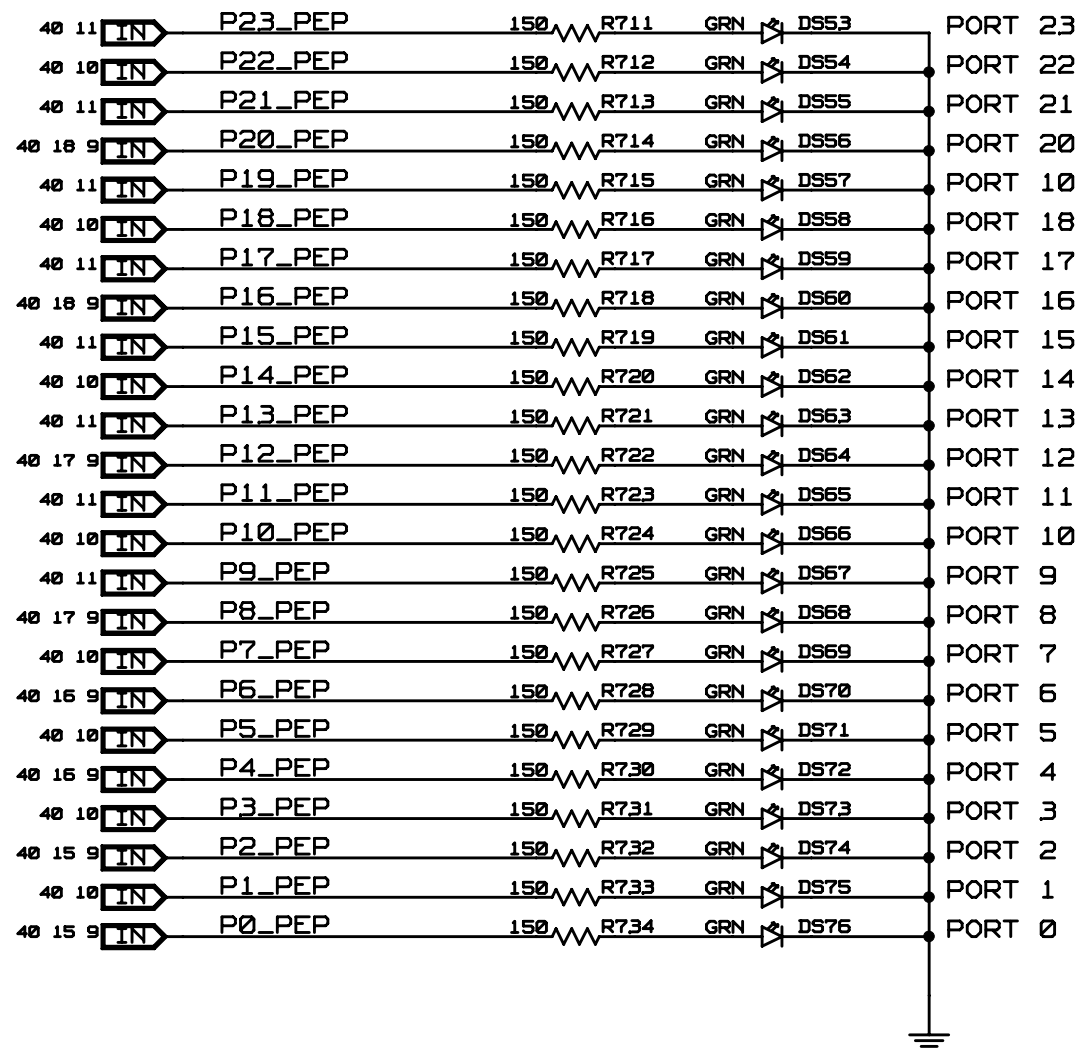
CONFIDENTIAL PROPERTY OF INTEGRATED DEVICE TECHNOLOGY, INC.
 6024 SILVER CREEK VALLEY ROAD, SAN JOSE, CA 95138
 COPYRIGHT (C)2010 IDT

TITLE EB-LOGAN-23			
LED - PORT STATUS (3 OF 7)			
SIZE B	DRAWING NO. SCH-PESEB-001	FAB P/N 18-691-000	REV. 1.1
AUTHOR Tony Tran		CHECKED BY Derek Huang	
Mon Apr 19 14:30:53 2010			SHEET 34 OF 50

<GREEN> ACTIVE HIGH - POWER ENABLE

<RED> ACTIVE LOW - HP SLOT RST

+3V3



CONFIDENTIAL PROPERTY OF INTEGRATED DEVICE TECHNOLOGY, INC.
6024 SILVER CREEK VALLEY ROAD, SAN JOSE, CA 95138
COPYRIGHT (C)2010 IDT

TITLE EB-LOGAN-23

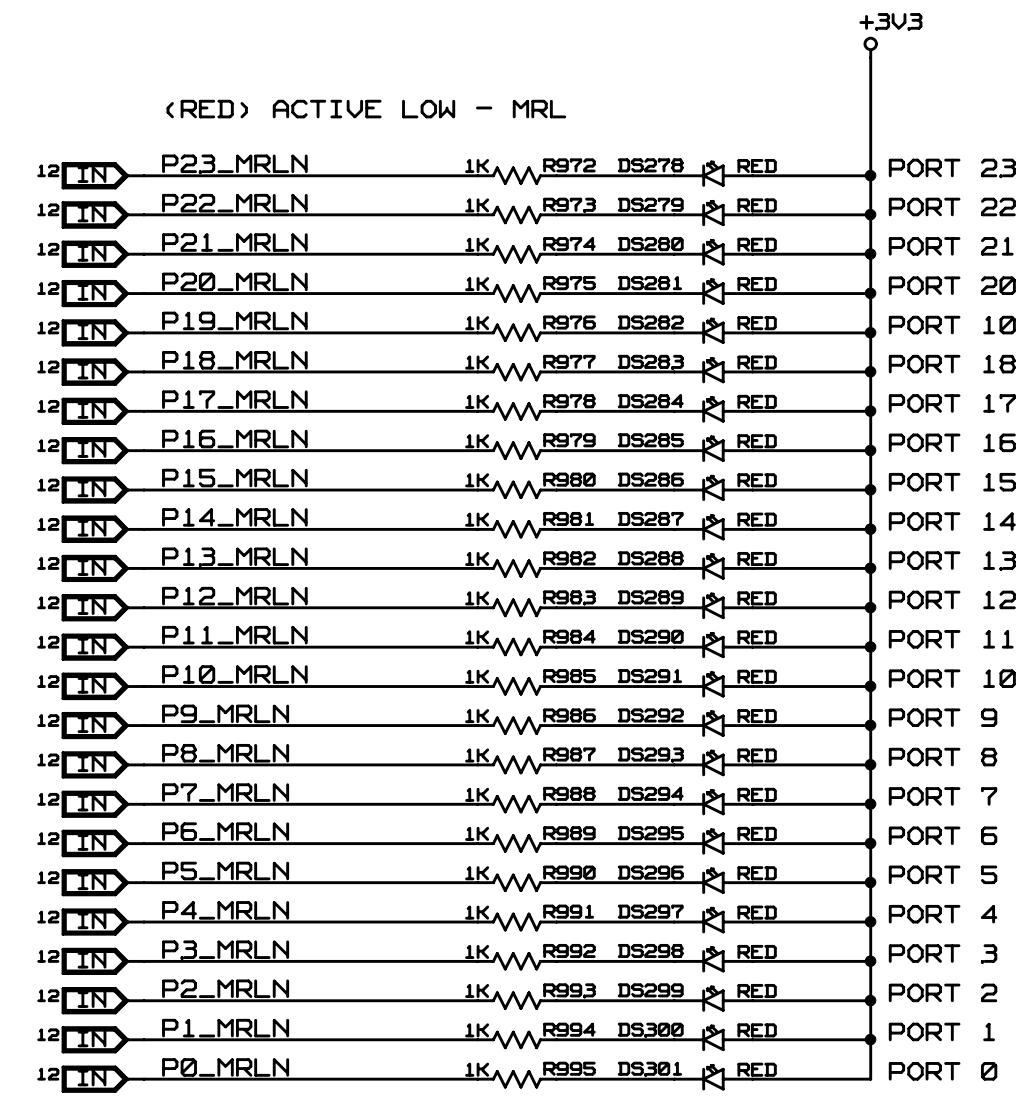
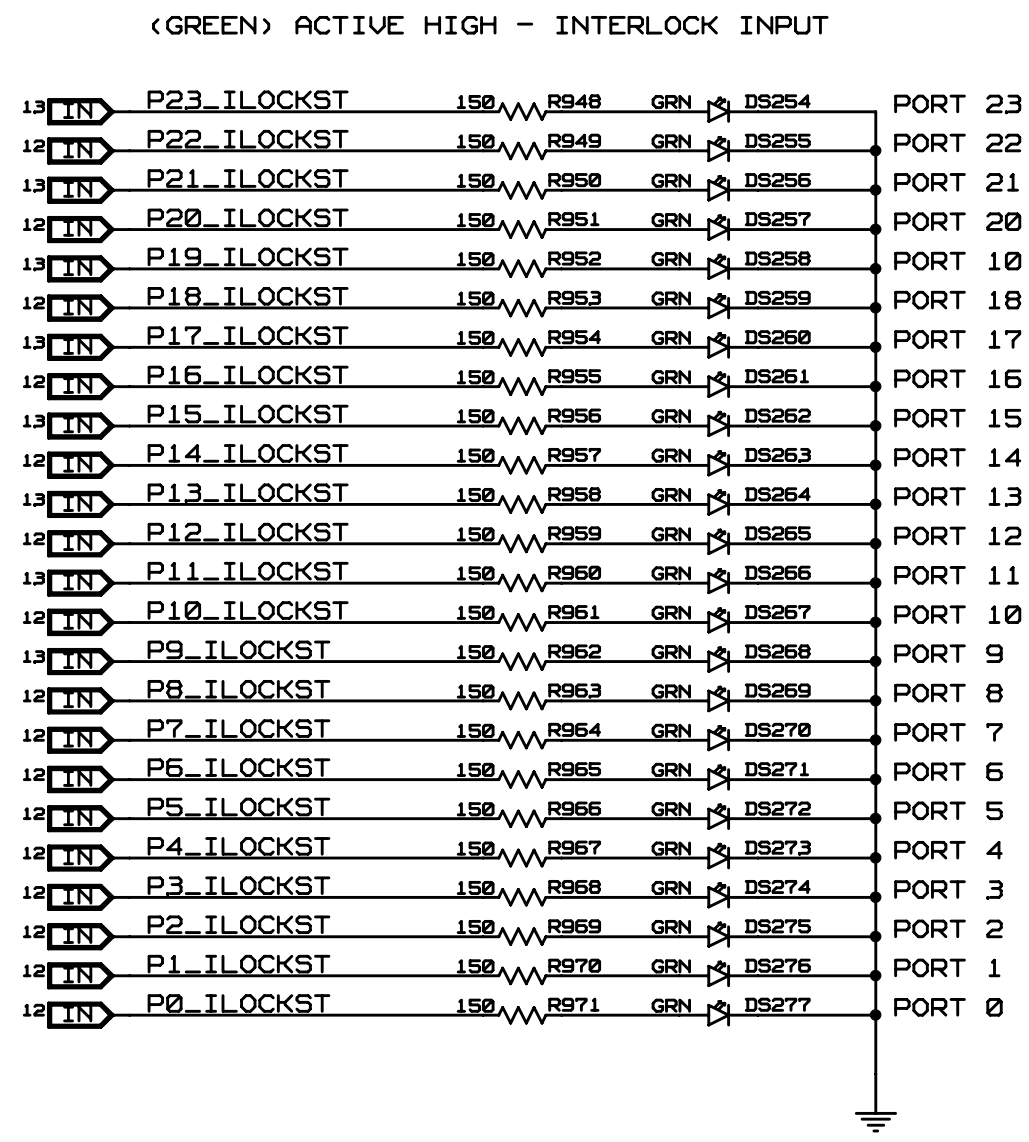
LED - PORT STATUS (4 OF 7)

SIZE B	DRAWING NO. SCH-PESEB-001	FAB P/N 18-691-000	REV. 1.1
-----------	------------------------------	-----------------------	-------------

AUTHOR Tony Tran	CHECKED BY Derek Huang
---------------------	---------------------------

Mon Apr 19 14:30:53 2010

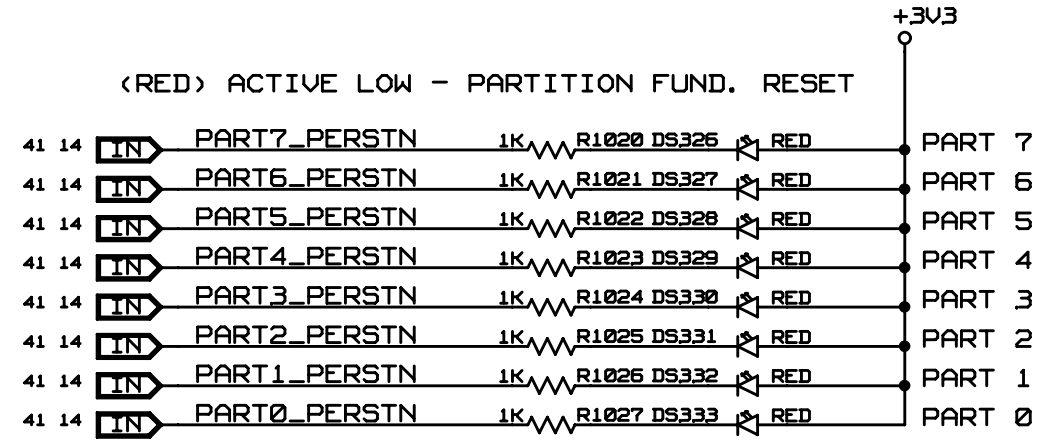
SHEET 35 OF 50



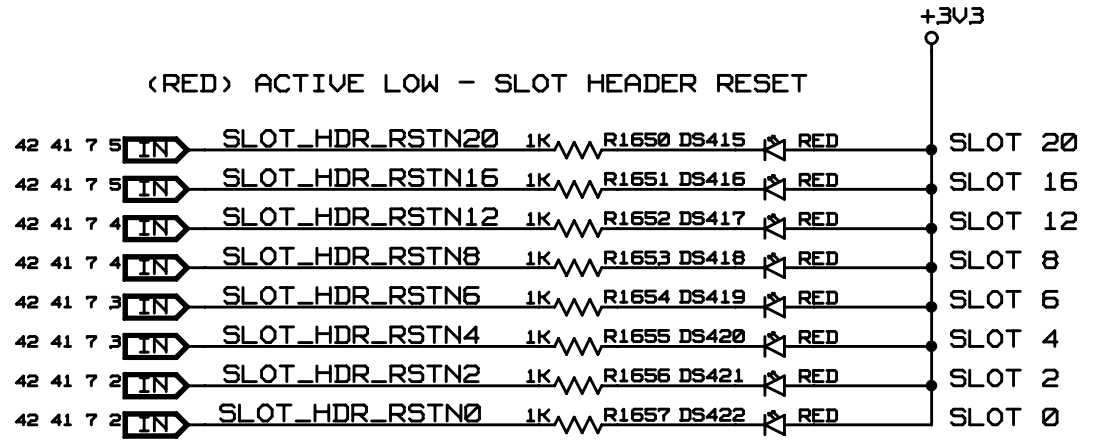
CONFIDENTIAL PROPERTY OF INTEGRATED DEVICE TECHNOLOGY, INC.
 6024 SILVER CREEK VALLEY ROAD, SAN JOSE, CA 95138
 COPYRIGHT (C) 2010 IDT

TITLE EB-LOGAN-23			
LED - PORT STATUS (5 OF 7)			
SIZE B	DRAWING NO. SCH-PESEB-001	FAB P/N 18-691-000	REV. 1.1
AUTHOR Tony Tran		CHECKED BY Derek Huang	
Mon Apr 19 14:30:54 2010			SHEET 36 OF 50

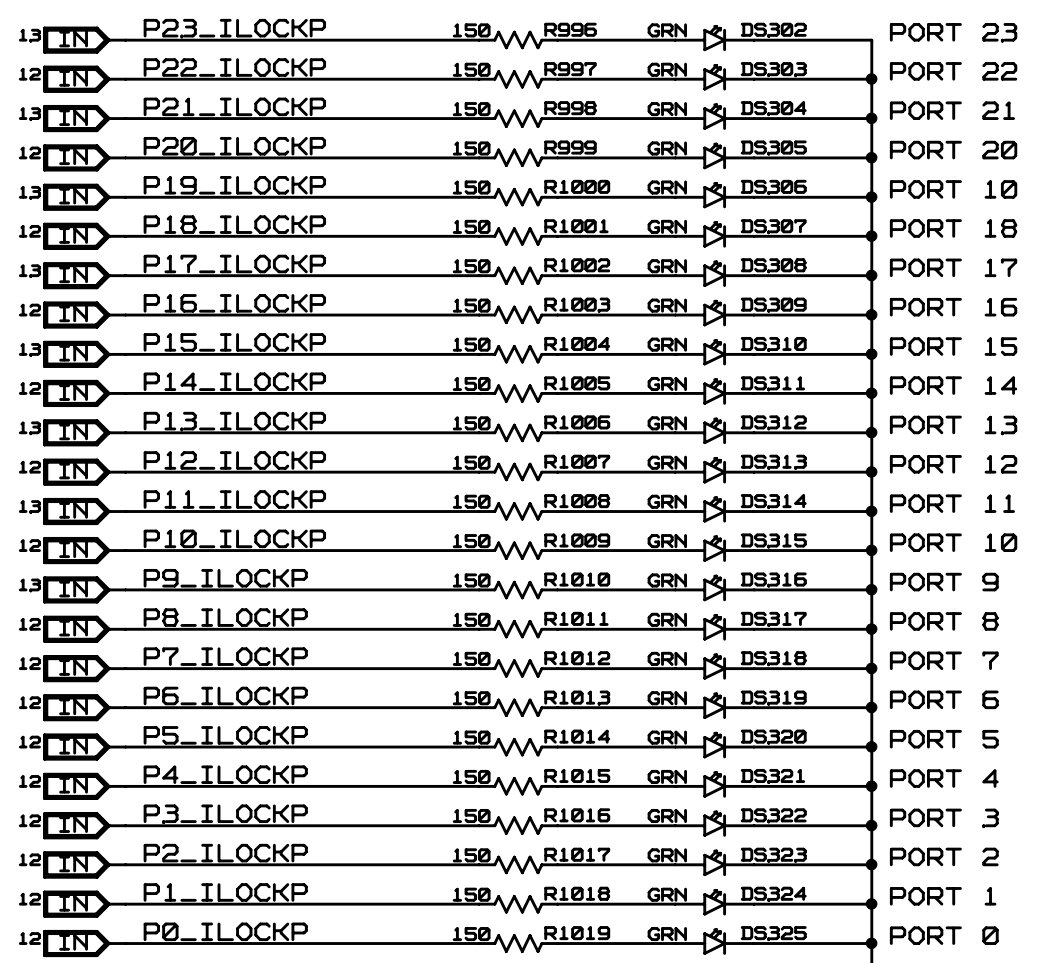
<RED> ACTIVE LOW - PARTITION FUND. RESET



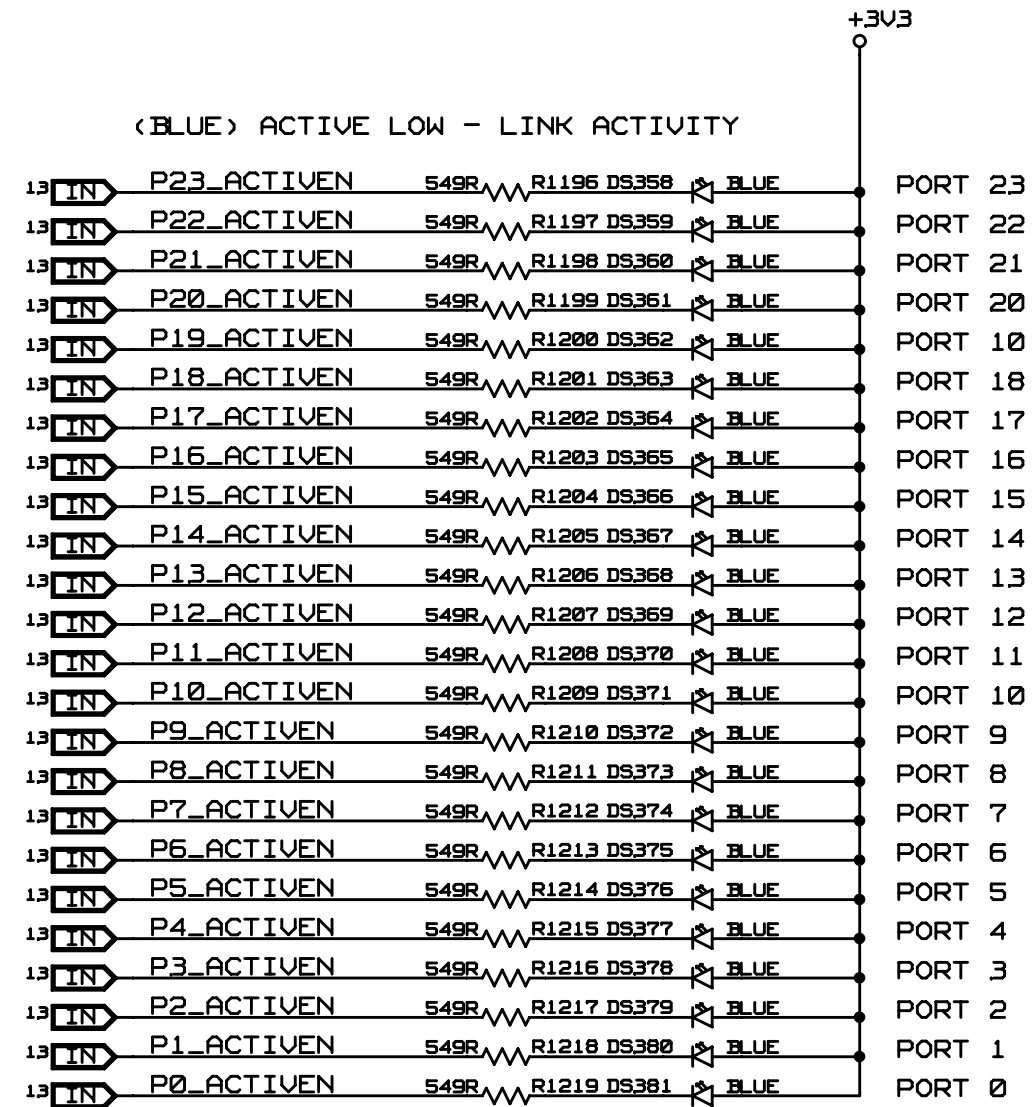
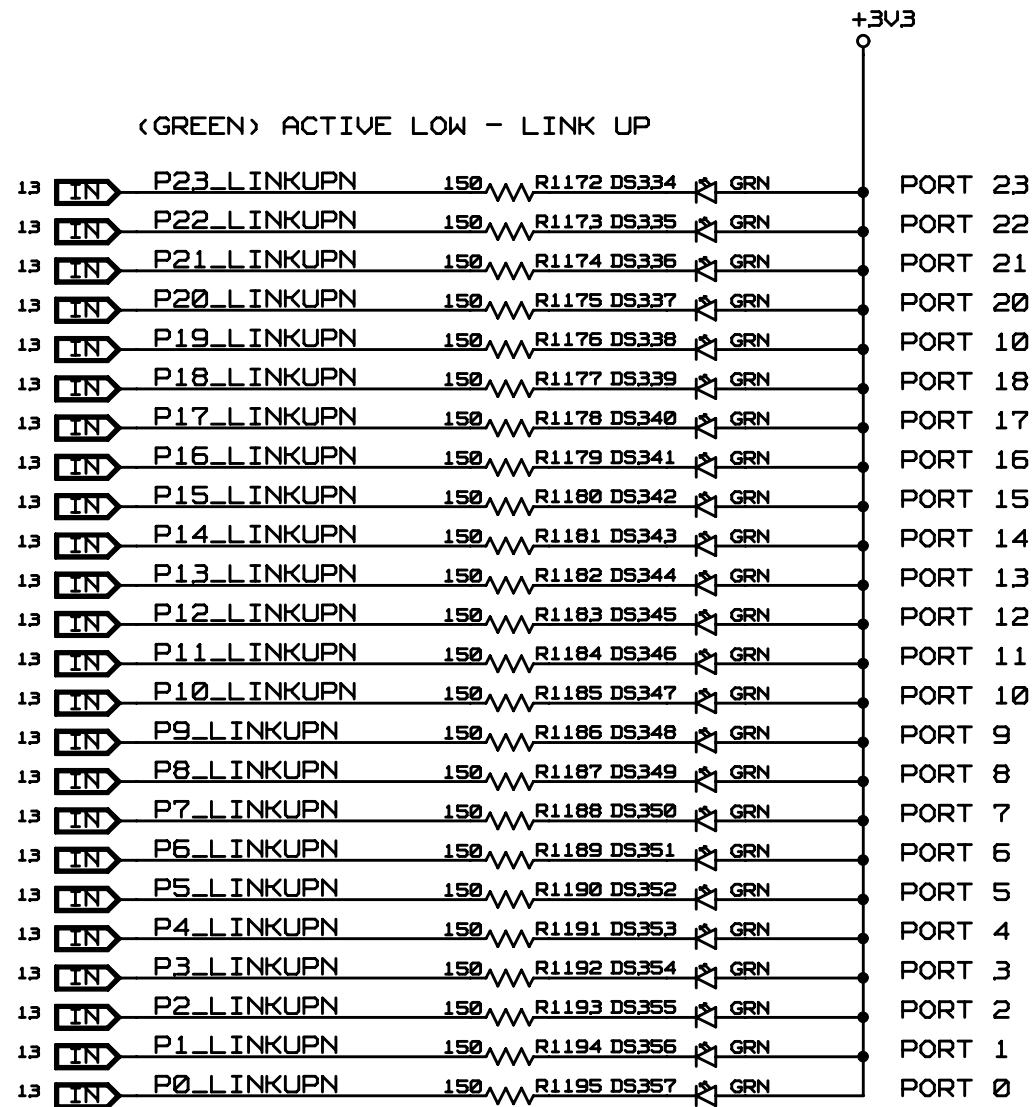
<RED> ACTIVE LOW - SLOT HEADER RESET



<GREEN> ACTIVE HIGH - INTERLOCK OUTPUT



TITLE EB-LOGAN-23			
LED - PORT STATUS <6 OF 7>			
SIZE B	DRAWING NO. SCH-PESEB-001	FAB P/N 18-691-000	REV. 1.1
AUTHOR Tony Tran		CHECKED BY Derek Huang	
Mon Apr 19 14:30:54 2010			SHEET 37 OF 50

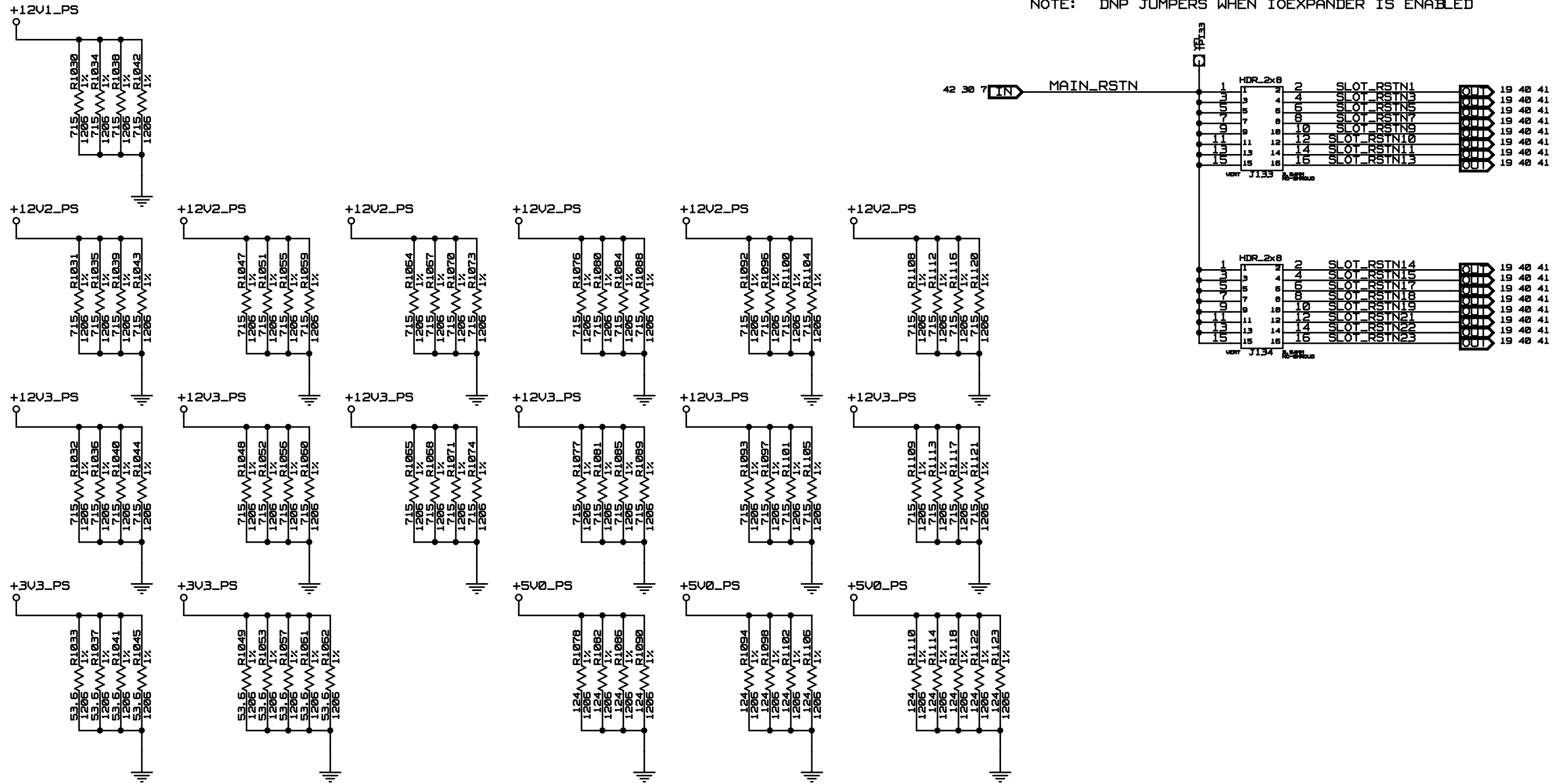


CONFIDENTIAL PROPERTY OF INTEGRATED DEVICE TECHNOLOGY, INC.
 6024 SILVER CREEK VALLEY ROAD, SAN JOSE, CA 95138
 COPYRIGHT (C)2010 IDT

TITLE EB-LOGAN-23			
LED - PORT STATUS (7 OF 7)			
SIZE B	DRAWING NO. SCH-PESEB-001	FAB P/N 18-691-000	REV. 1.1
AUTHOR Tony Tran		CHECKED BY Derek Huang	
Mon Apr 19 14:30:54 2010			SHEET 38 OF 50

MINIMUM POWER SUPPLY LOADS

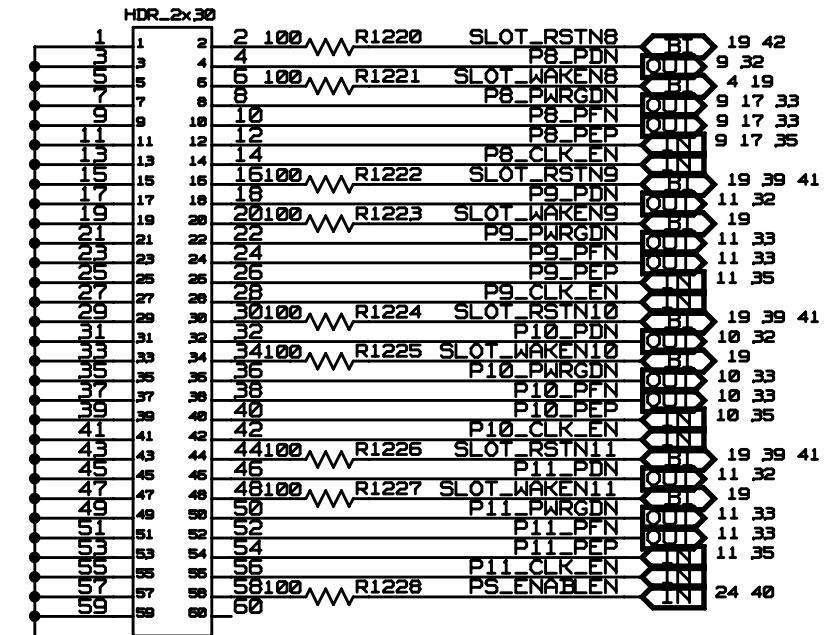
NOTE: DNP JUMPERS WHEN IOEXPANDER IS ENABLED



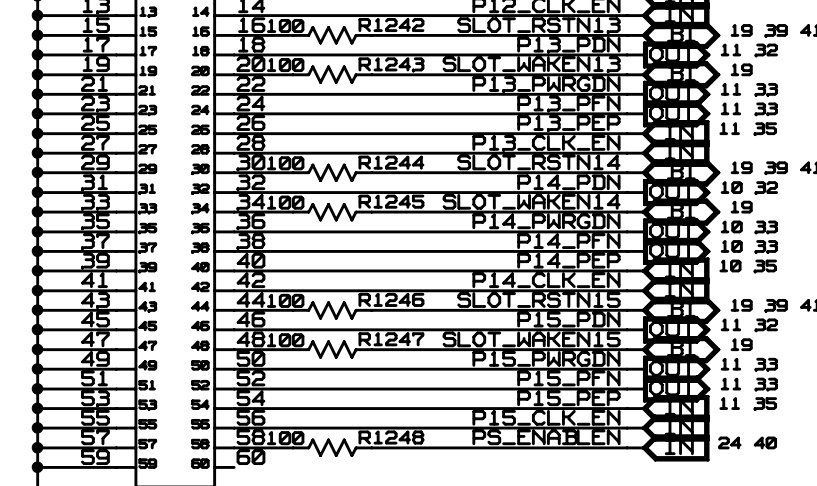
CONFIDENTIAL PROPERTY OF INTEGRATED DEVICE TECHNOLOGY, INC.
6024 SILVER CREEK VALLEY ROAD, SAN JOSE, CA 95138
COPYRIGHT (C)2010 IDT

TITLE EB-LOGAN-23			
MIN LOAD RESISTORS			
SIZE B	DRAWING NO. SCH-PESEB-001	FAB P/N 18-691-000	REV. 1.1
AUTHOR Tony Tran		CHECKED BY Derek Huang	
Mon Apr 19 14:30:59 2010			SHEET 39 OF 50

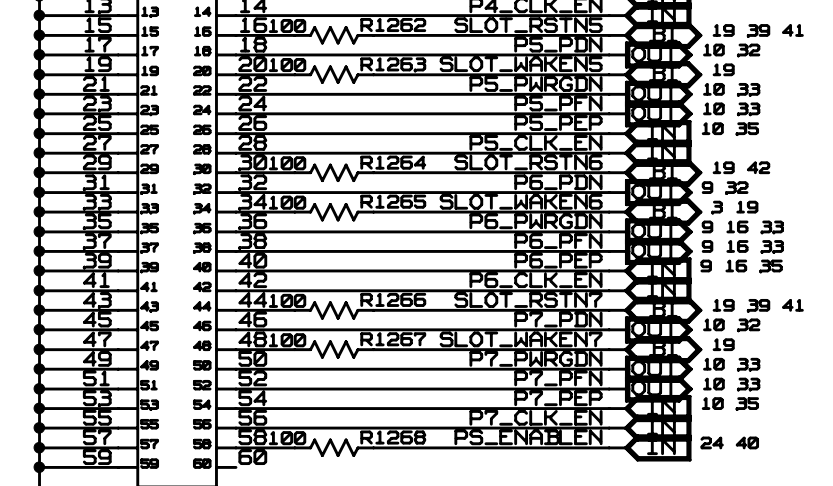
SLOT_RESETN
CARD_PRESENTN
WAKEN
POWERGOOD
PWR_FLTN
PWR_ENABLE
CLOCK_ENABLEN



PORTS 8, 9, 10, 11

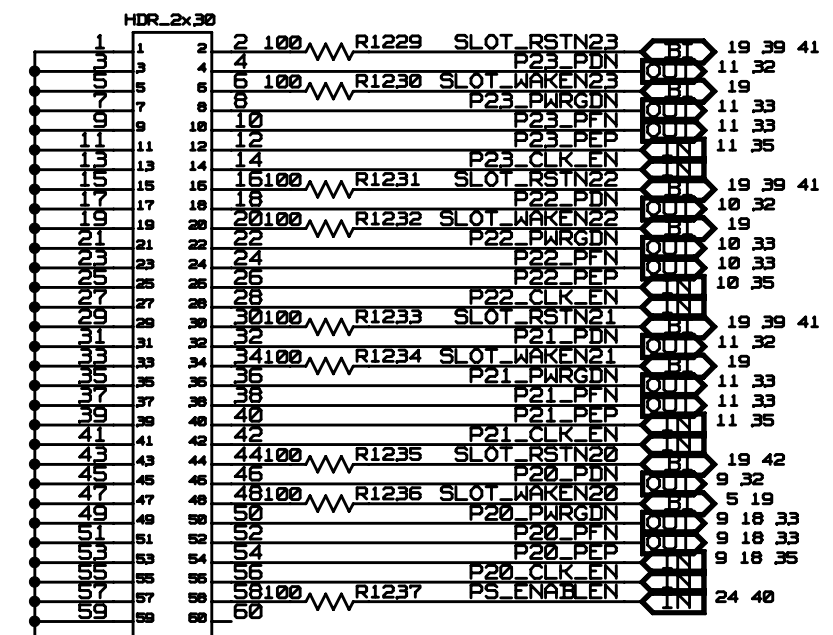


PORTS 12, 13, 14, 15

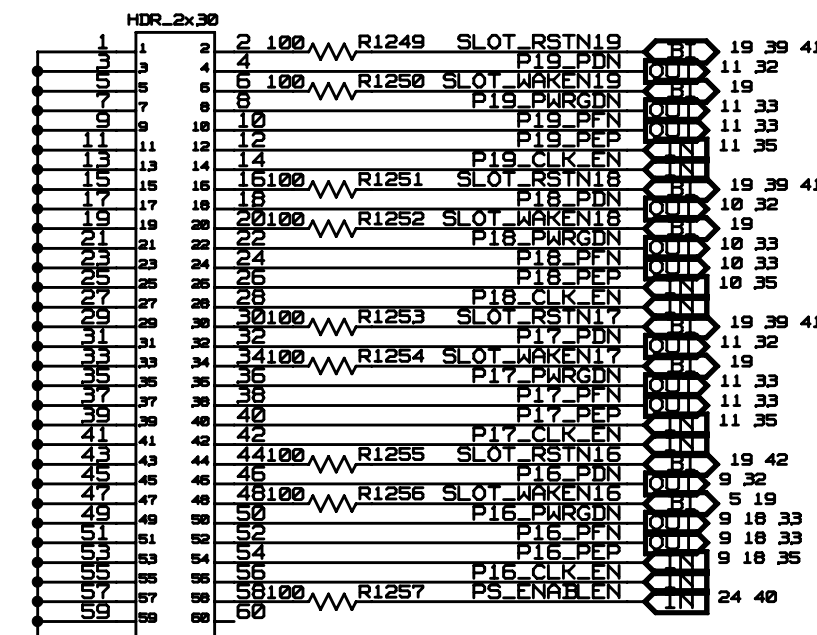


PORTS 4, 5, 6, 7

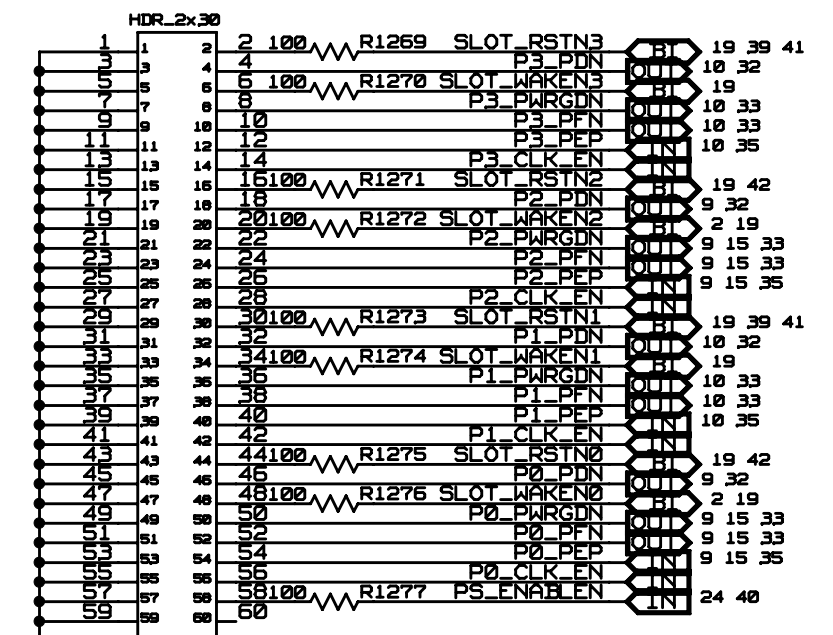
SLOT_RESETN
CARD_PRESENTN
WAKEN
POWERGOOD
PWR_FLTN
PWR_ENABLE
CLOCK_ENABLEN



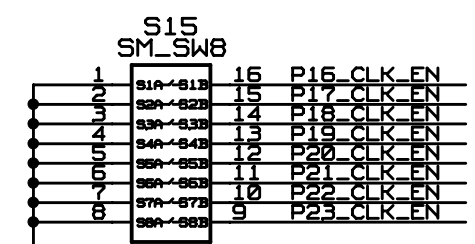
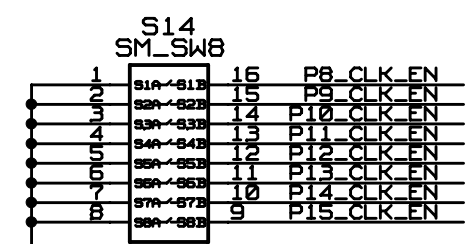
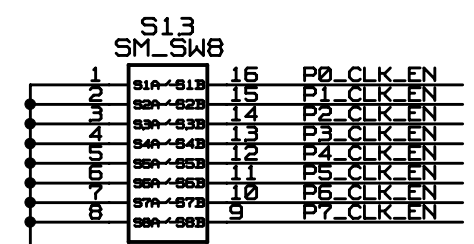
PORTS 23, 22, 21, 20



PORTS 19, 18, 17, 16

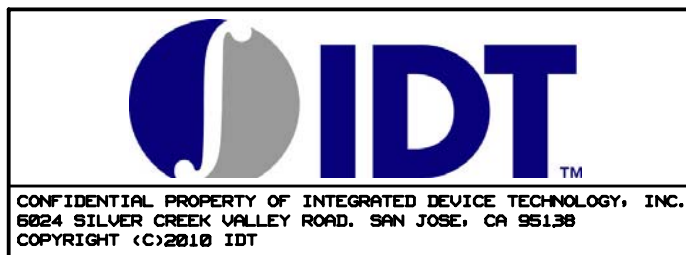
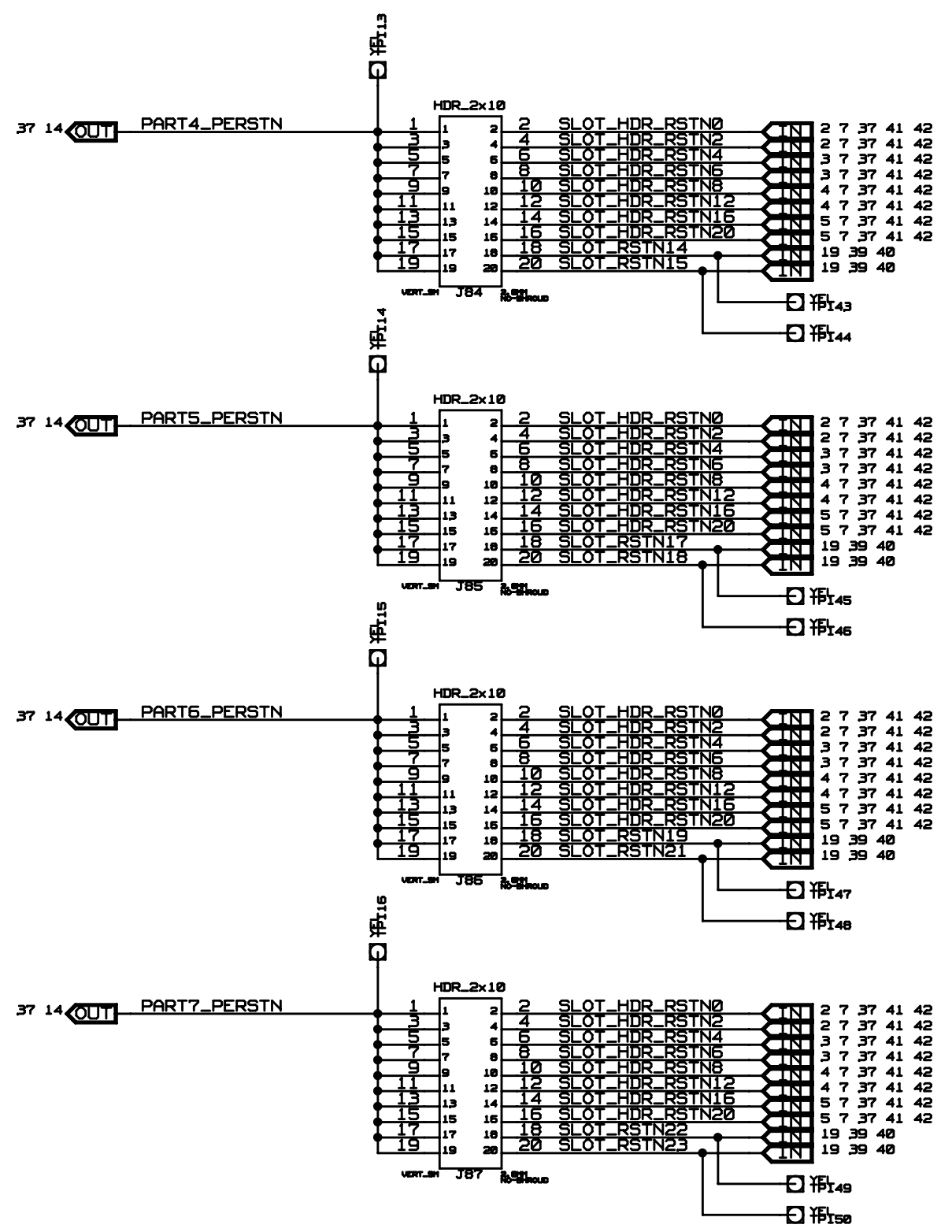
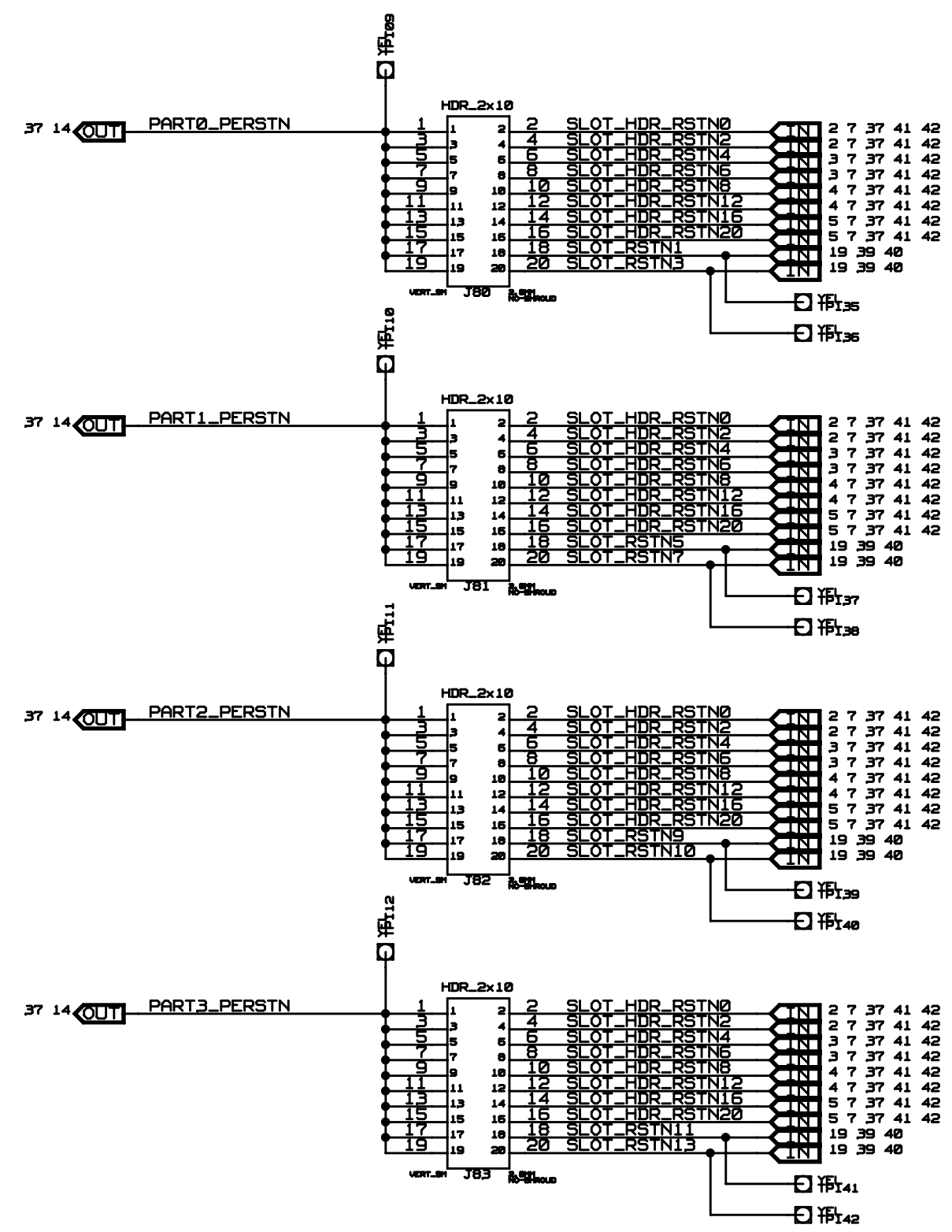


PORTS 3, 2, 1, 0

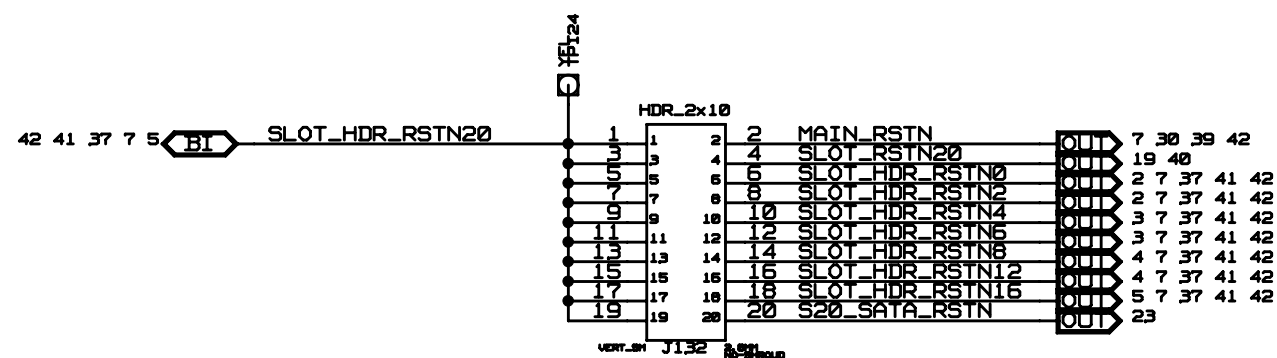
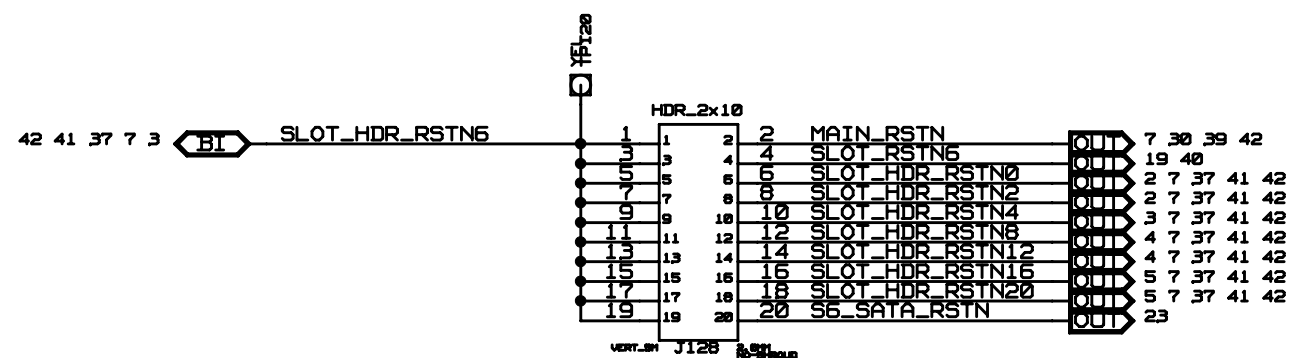
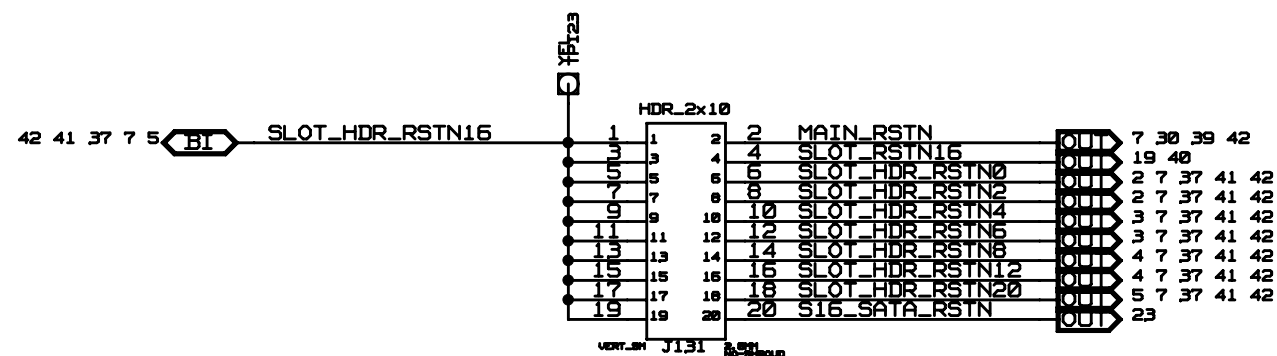
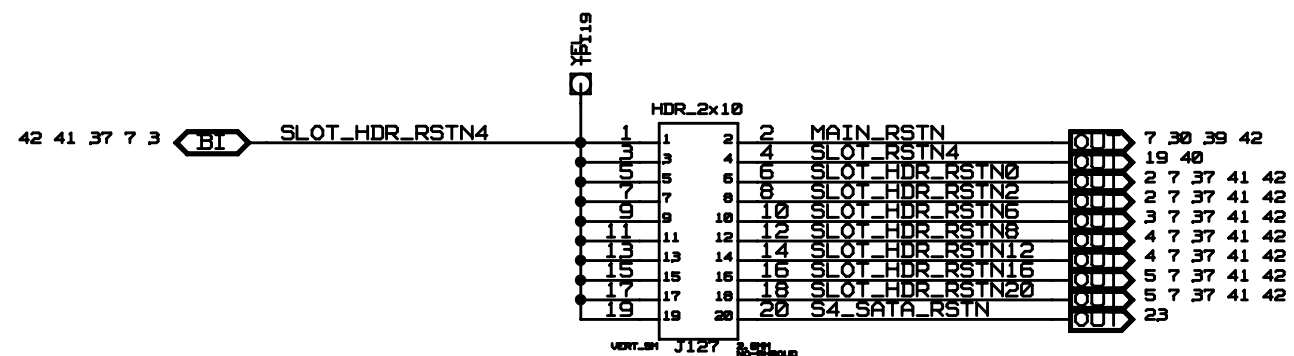
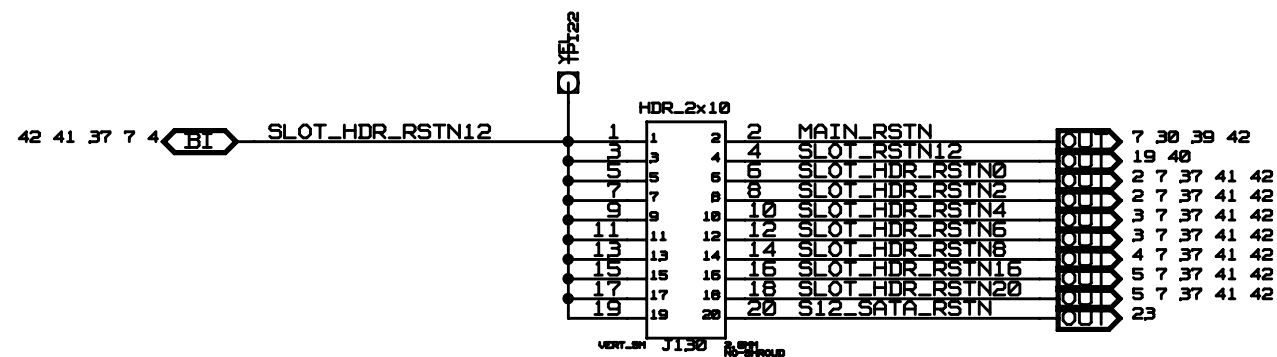
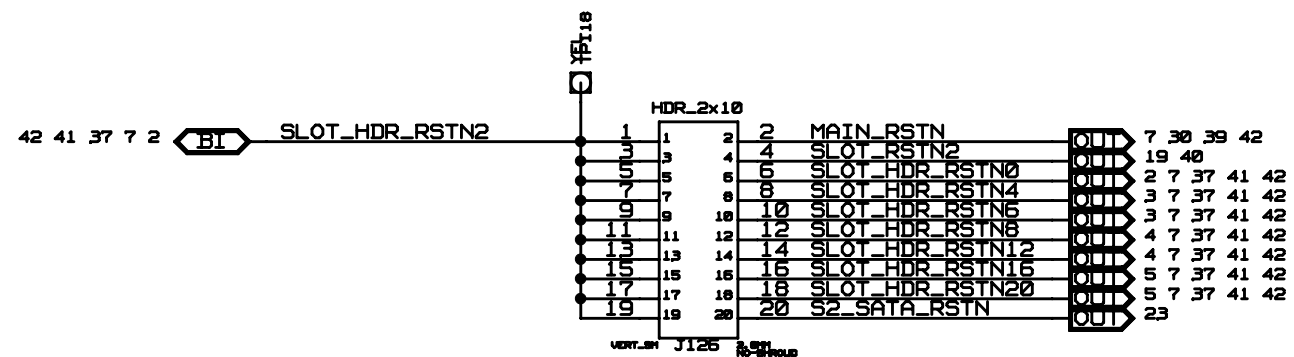
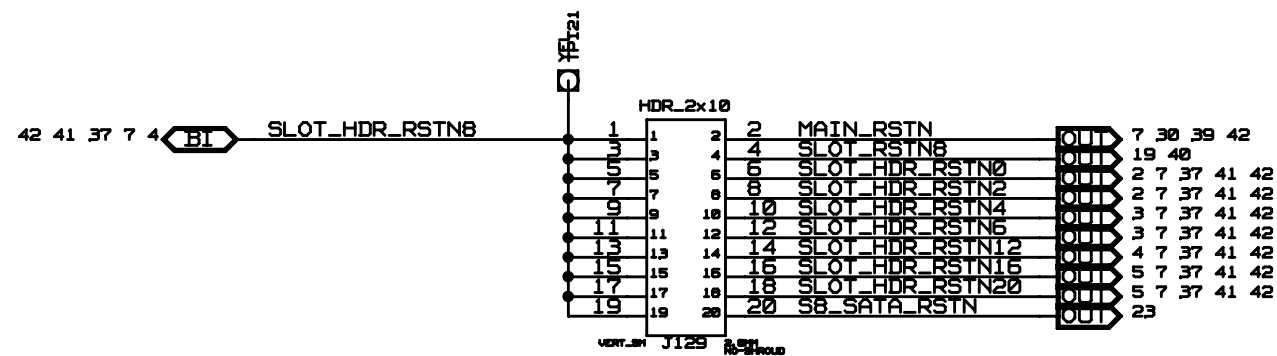
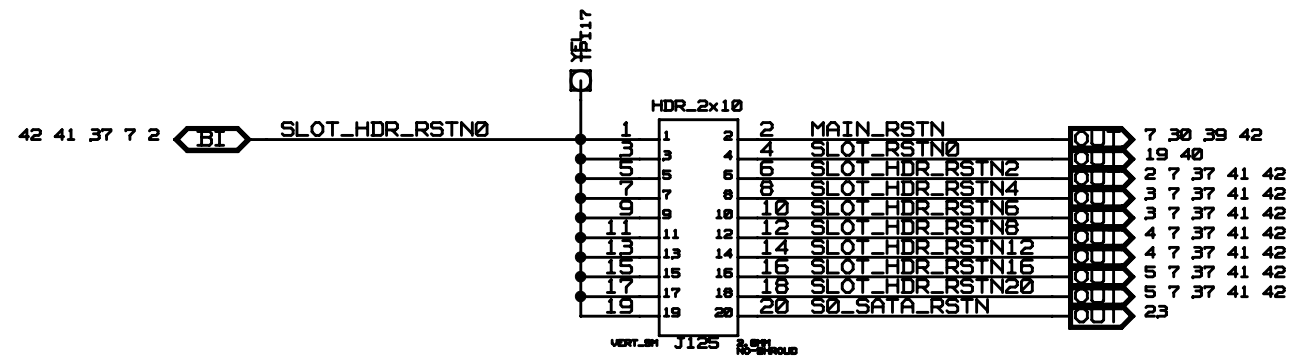


CONFIDENTIAL PROPERTY OF INTEGRATED DEVICE TECHNOLOGY, INC.
6024 SILVER CREEK VALLEY ROAD, SAN JOSE, CA 95138
COPYRIGHT (C)2010 IDT

TITLE EB-LOGAN-23			
SIDE BAND CONNECTORS			
SIZE	DRAWING NO.	FAB P/N	REV.
B	SCH-PESEB-001	18-691-000	1.1
AUTHOR		CHECKED BY	
Tony Tran		Derek Huang	
Mon Apr 19 14:30:55 2010			SHEET 40 OF 50

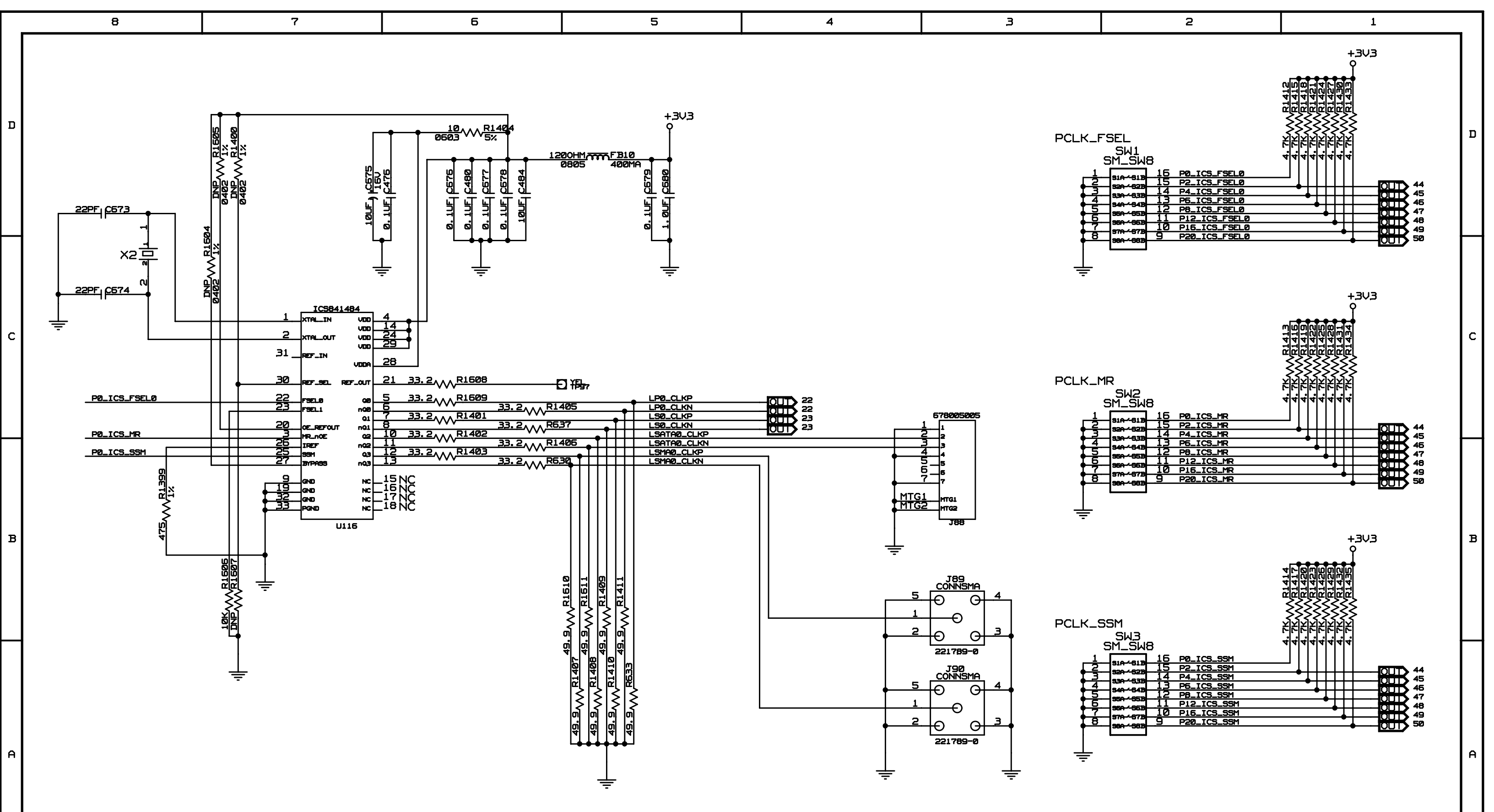


TITLE EB-LOGAN-23			
PARTITION RESET SELECT HEADERS			
SIZE	DRAWING NO.	FAB P/N	REV.
B	SCH-PESEB-001	18-691-000	1.1
AUTHOR		CHECKED BY	
Tony Tran		Derek Huang	
Mon Apr 19 14:30:59 2010			SHEET 41 OF 50



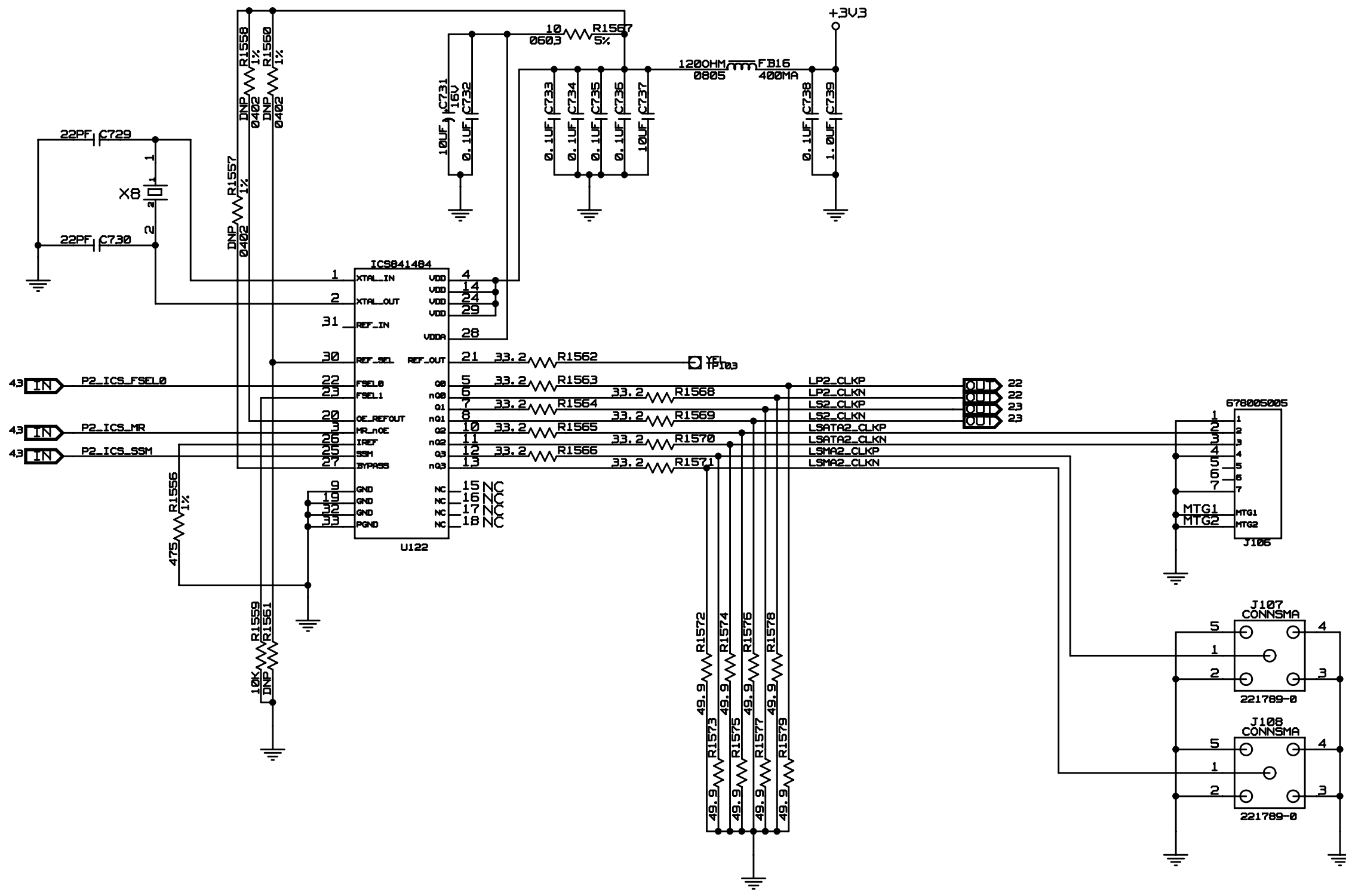

CONFIDENTIAL PROPERTY OF INTEGRATED DEVICE TECHNOLOGY, INC.
 6824 SILVER CREEK VALLEY ROAD, SAN JOSE, CA 95138
 COPYRIGHT (C)2010 IDT

TITLE EB-LOGAN-23			
SLOT RESET SELECT HEADERS			
SIZE	DRAWING NO.	FAB P/N	REV.
B	SCH-PESEB-001	18-691-000	1.1
AUTHOR		CHECKED BY	
Tony Tran		Derek Huang	
Mon Apr 19 14:30:59 2010			SHEET 42 OF 50



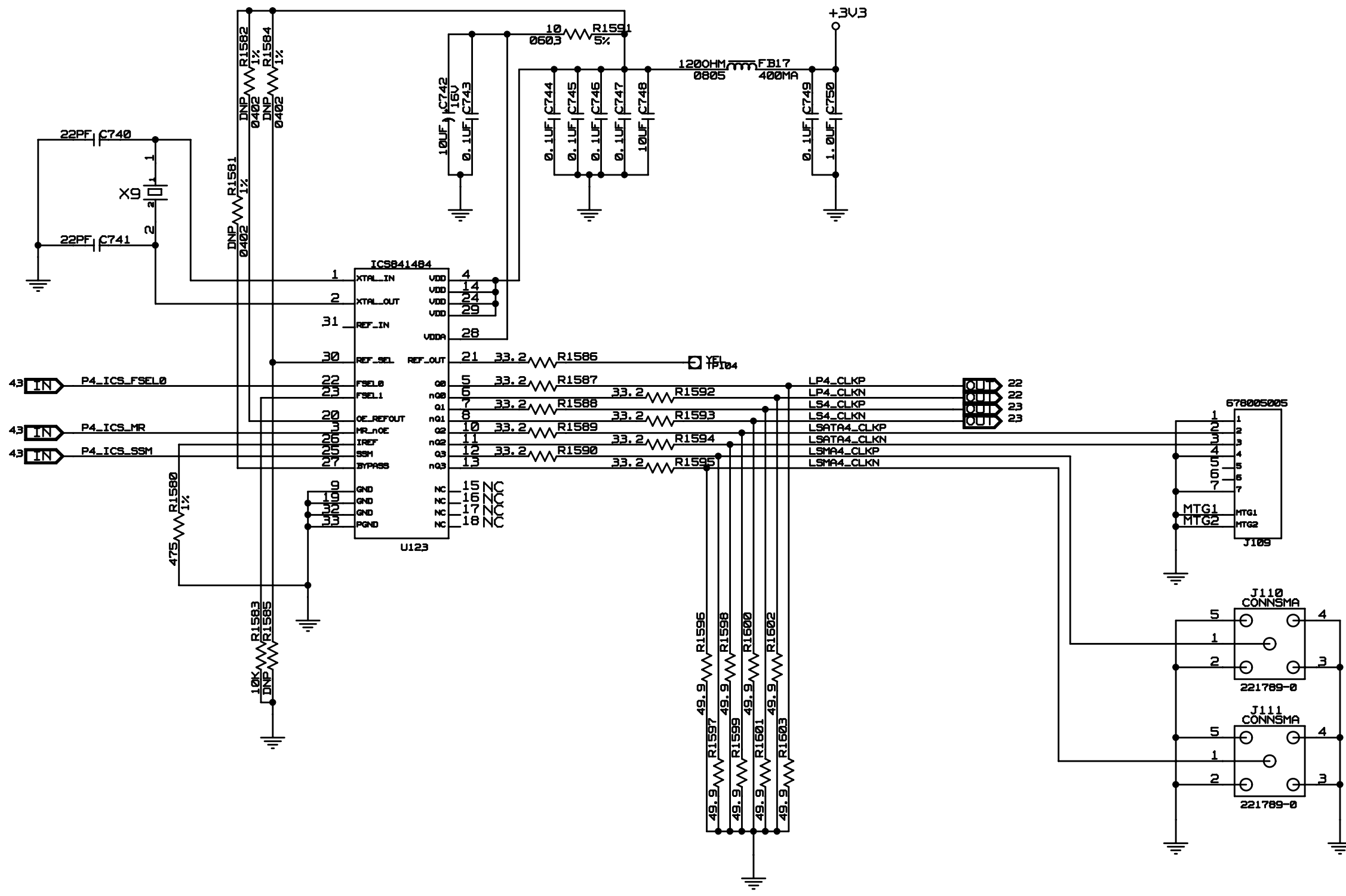
CONFIDENTIAL PROPERTY OF INTEGRATED DEVICE TECHNOLOGY, INC.
 6824 SILVER CREEK VALLEY ROAD, SAN JOSE, CA 95138
 COPYRIGHT (C)2010 IDT


TITLE EB-LOGAN-23			
PORT 0 CLOCK GENERATOR			
SIZE	DRAWING NO.	FAB P/N	REV.
B	SCH-PESEB-001	18-691-000	1.1
AUTHOR		CHECKED BY	
Tony Tran		Derek Huang	
Mon Apr 19 14:30:55 2010			SHEET 43 OF 50

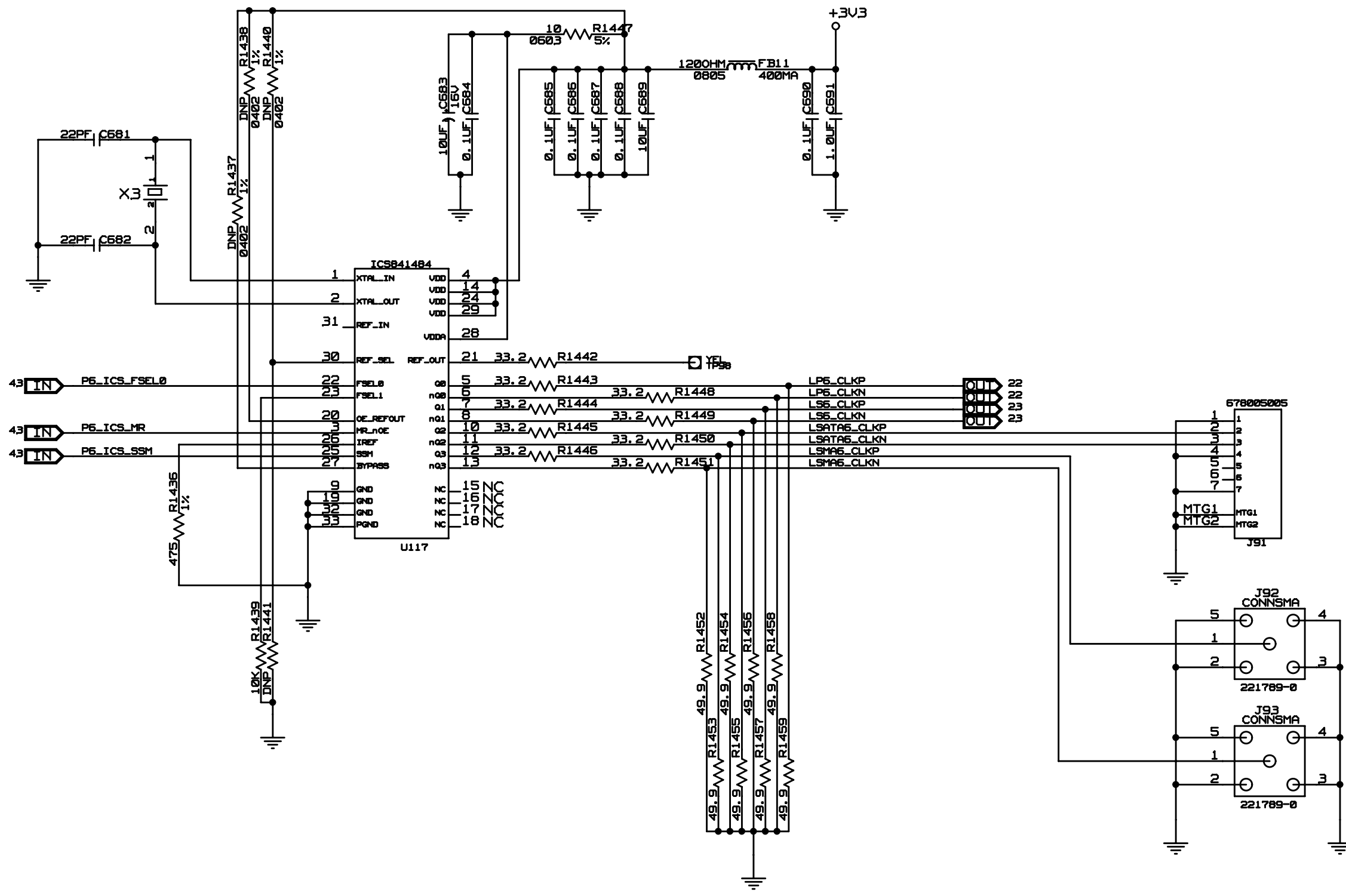

CONFIDENTIAL PROPERTY OF INTEGRATED DEVICE TECHNOLOGY, INC.
 6824 SILVER CREEK VALLEY ROAD, SAN JOSE, CA 95138
 COPYRIGHT (C)2010 IDT

TITLE EB-LOGAN-23			
PORT 2 CLOCK GENERATOR			
SIZE B	DRAWING NO. SCH-PESEB-001	FAB P/N 18-691-000	REV. 1.1
AUTHOR Tony Tran		CHECKED BY Derek Huang	
Mon Apr 19 14:30:55 2010			SHEET 44 OF 50



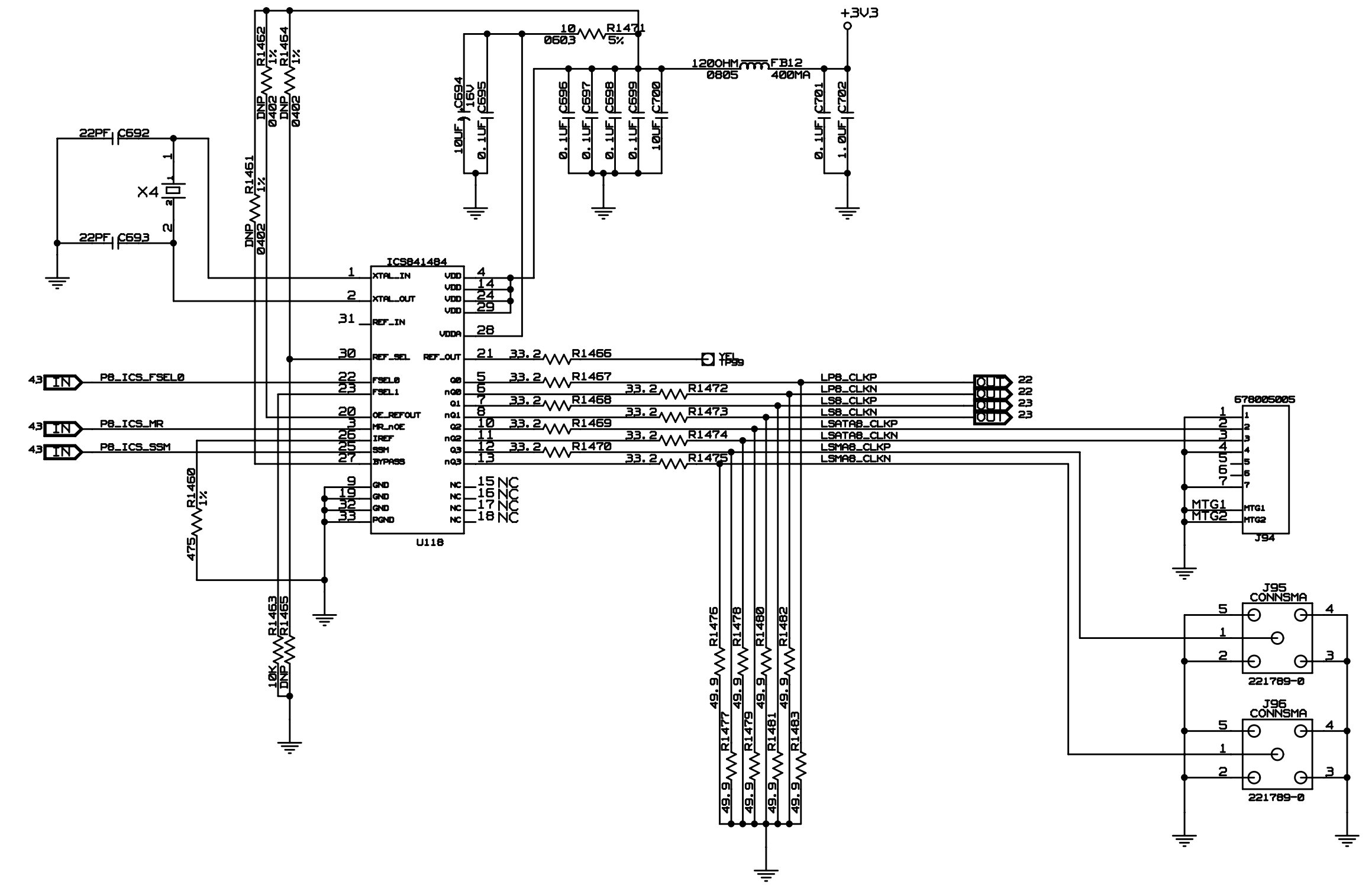
		TITLE EB-LOGAN-23	
		PORT 4 CLOCK GENERATOR	
SIZE B	DRAWING NO. SCH-PESEB-001	FAB P/N 18-691-000	REV. 1.1
AUTHOR Tony Tran		CHECKED BY Derek Huang	
Mon Apr 19 14:30:55 2010			SHEET 45 OF 50

CONFIDENTIAL PROPERTY OF INTEGRATED DEVICE TECHNOLOGY, INC.
 6824 SILVER CREEK VALLEY ROAD, SAN JOSE, CA 95138
 COPYRIGHT (C)2010 IDT

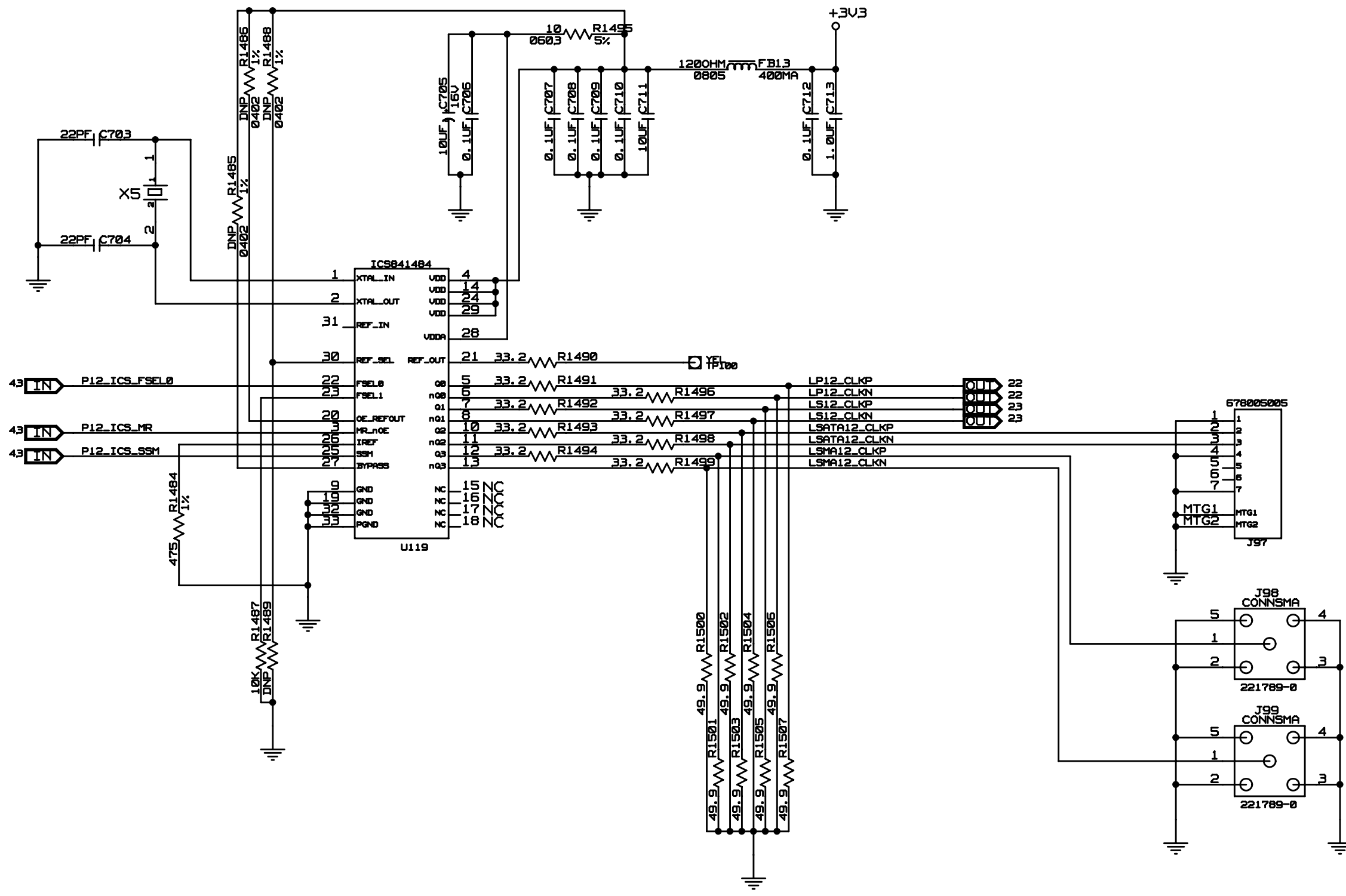
CONFIDENTIAL PROPERTY OF INTEGRATED DEVICE TECHNOLOGY, INC.
 6824 SILVER CREEK VALLEY ROAD, SAN JOSE, CA 95138
 COPYRIGHT (C)2010 IDT


TITLE EB-LOGAN-23			
PORT 6 CLOCK GENERATOR			
SIZE	DRAWING NO.	FAB P/N	REV.
B	SCH-PESEB-001	18-691-000	1.1
AUTHOR		CHECKED BY	
Tony Tran		Derek Huang	
Mon Apr 19 14:30:56 2010			SHEET 46 OF 50



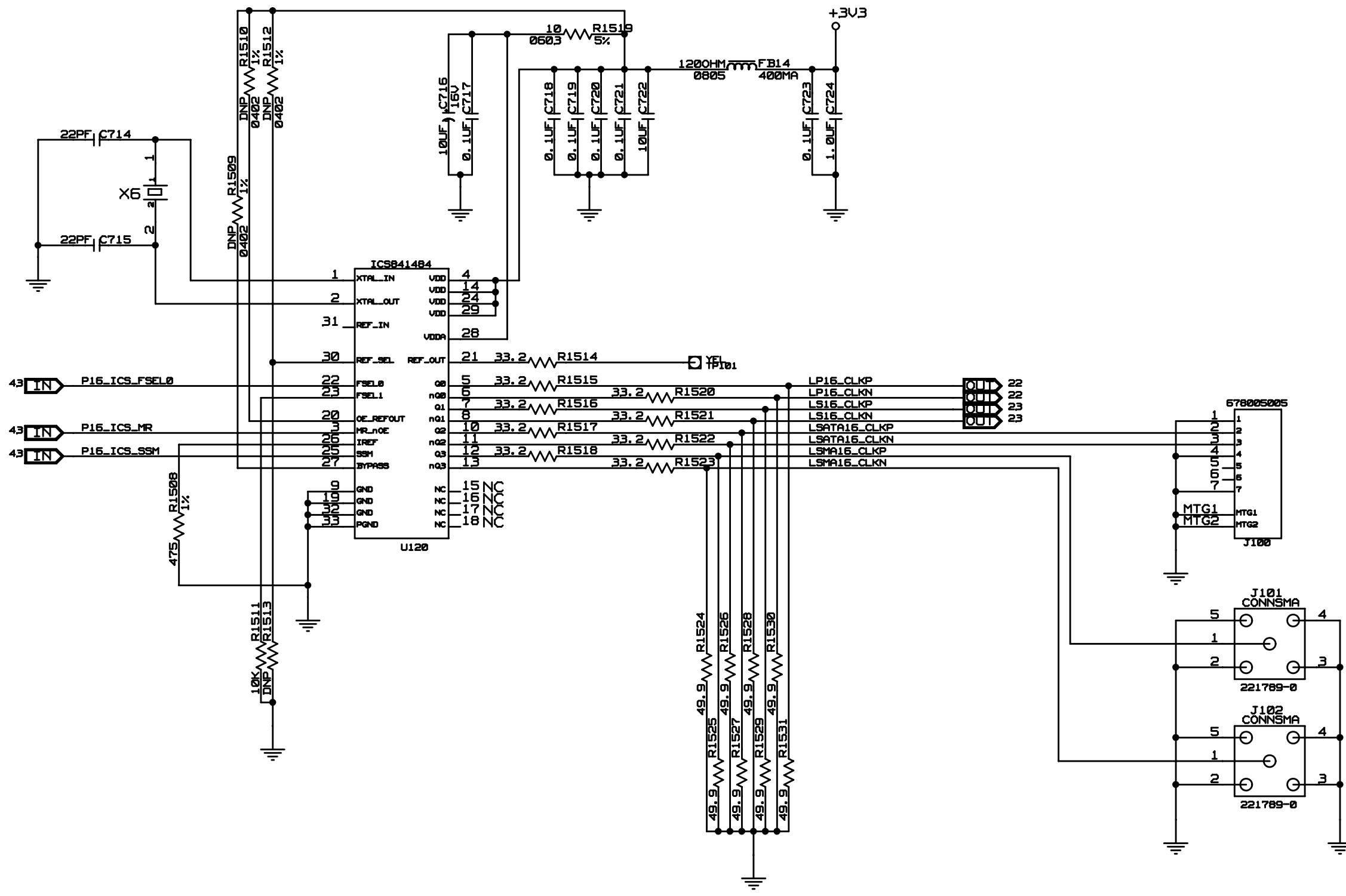
CONFIDENTIAL PROPERTY OF INTEGRATED DEVICE TECHNOLOGY, INC.
 6824 SILVER CREEK VALLEY ROAD, SAN JOSE, CA 95138
 COPYRIGHT (C)2010 IDT

TITLE EB-LOGAN-23			
PORT 8 CLOCK GENERATOR			
SIZE B	DRAWING NO. SCH-PESEB-001	FAB P/N 18-691-000	REV. 1.1
AUTHOR Tony Tran		CHECKED BY Derek Huang	
Mon Apr 19 14:30:56 2010			SHEET 47 OF 50



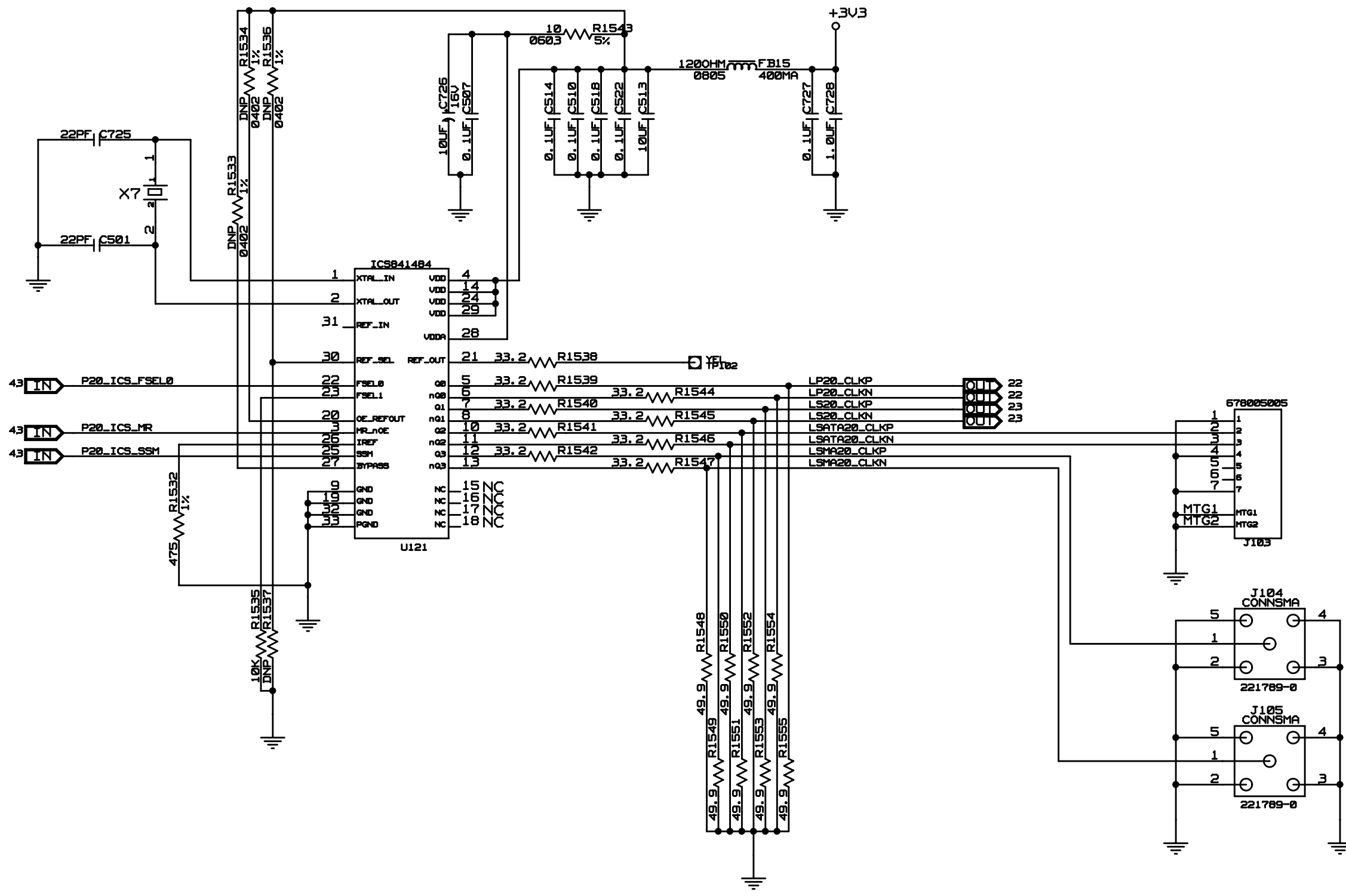

		TITLE EB-LOGAN-23	
		PORT 12 CLOCK GENERATOR	
SIZE B	DRAWING NO. SCH-PESEB-001	FAB P/N 18-691-000	REV. 1.1
AUTHOR Tony Tran		CHECKED BY Derek Huang	
Mon Apr 19 14:30:56 2010			SHEET 48 OF 50

CONFIDENTIAL PROPERTY OF INTEGRATED DEVICE TECHNOLOGY, INC.
6024 SILVER CREEK VALLEY ROAD, SAN JOSE, CA 95138
COPYRIGHT (C)2010 IDT



CONFIDENTIAL PROPERTY OF INTEGRATED DEVICE TECHNOLOGY, INC.
 6824 SILVER CREEK VALLEY ROAD, SAN JOSE, CA 95138
 COPYRIGHT (C)2010 IDT

TITLE EB-LOGAN-23			
PORT 16 CLOCK GENERATOR			
SIZE	DRAWING NO.	FAB P/N	REV.
B	SCH-PESEB-001	18-691-000	1.1
AUTHOR		CHECKED BY	
Tony Tran		Derek Huang	
Mon Apr 19 14:30:56 2010			SHEET 49 OF 50

CONFIDENTIAL PROPERTY OF INTEGRATED DEVICE TECHNOLOGY, INC.
 6024 SILVER CREEK VALLEY ROAD, SAN JOSE, CA 95138
 COPYRIGHT (C)2010 IDT

TITLE EB-LOGAN-23			
PORT 20 CLOCK GENERATOR			
SIZE	DRAWING NO.	FAB P/N	REV.
B	SCH-PESEB-001	18-691-000	1.1
AUTHOR		CHECKED BY	
Tony Tran		Derek Huang	
Mon Apr 19 14:30:56 2010			SHEET 50 OF 50