

DA14535 Module Development Kit

Design Name	DA14535-Module-Devkit
Ref. Number	610-06-A
Version	A0.0
Date	24 APRIL 2023
Designer	KL/NT

Configuration note

NOTE box

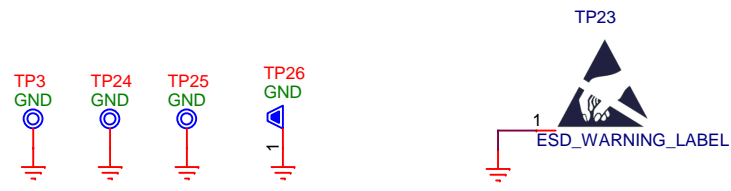
Changes in this Version.

History Table

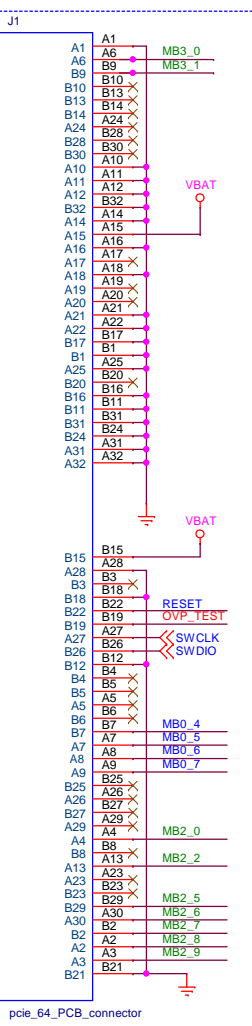
Version	Date	Comments
A0.0	24/APR/2023	Initial Release

—⊙ TP1 FIDUCIAL

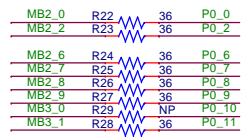
—⊙ TP2 FIDUCIAL



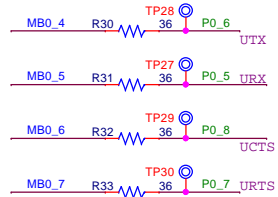
Card Edge Connector (PCI-E)



BREAKOUT HEADERS



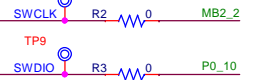
(4-PIN UART)



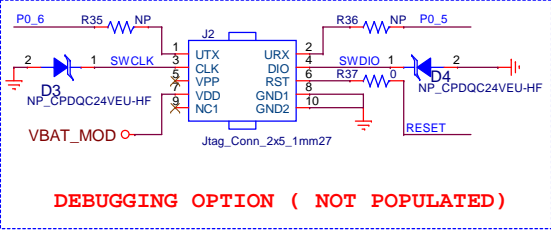
(1-WIRE UART)



JTAG

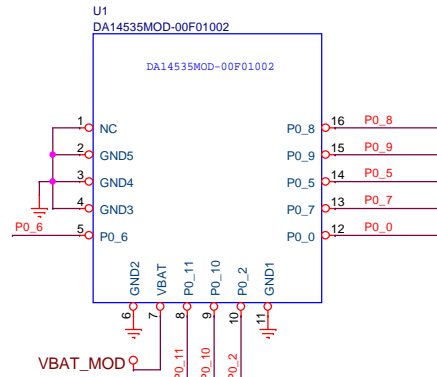


RESET

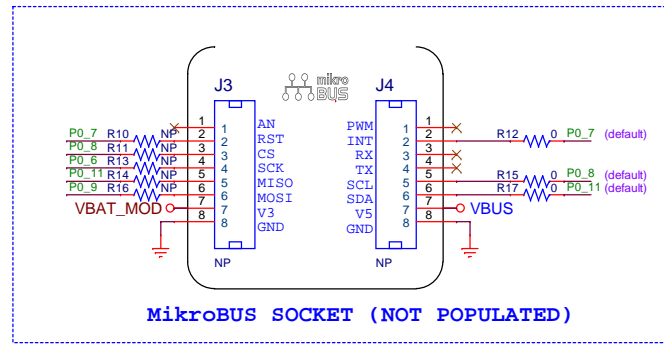


DEBUGGING OPTION (NOT POPULATED)

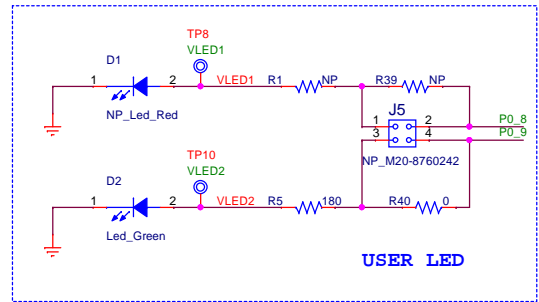
DA14535_QFN24_MODULE



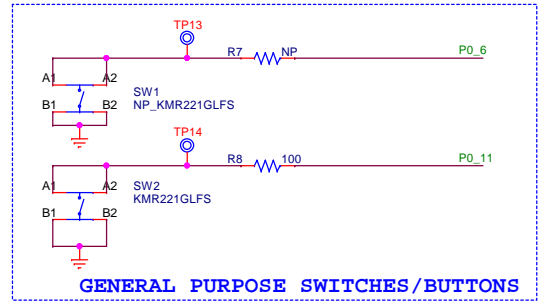
NOTE: Pin #1 (NC) has no internal connection and is recommended to be connected to GND



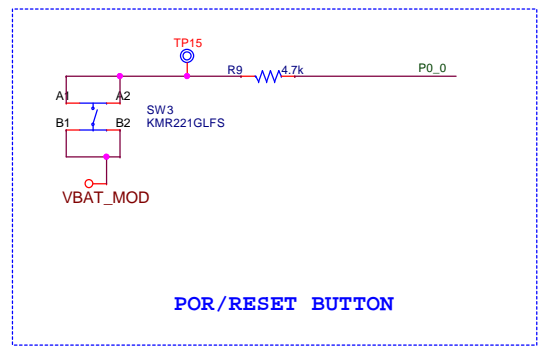
MikroBUS SOCKET (NOT POPULATED)



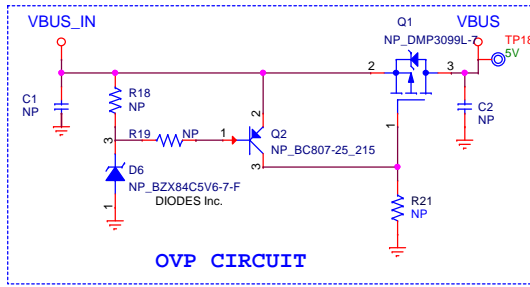
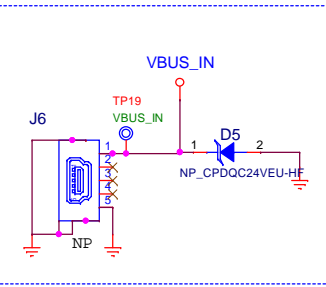
USER LED



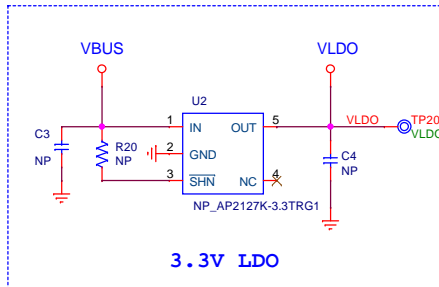
GENERAL PURPOSE SWITCHES/BUTTONS



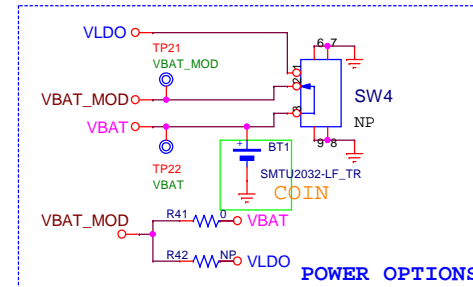
POR/RESET BUTTON



OVP CIRCUIT



3.3V LDO



POWER OPTIONS

NOTE:

	MikroBUS GPIO multiplexing			
	Peripherals	I2C	SPI	Other
P0_5	SR1	SCL	CS	
P0_11	SW2	SDA (default)	MISO	
P0_8	LED D1	SCL (default)	CS	
P0_9	LED D2		MOSI	
P0_7				INT RST (default)

