


Title: <b>DA14580DEVKT-P</b>		<OrgName>	
Doc. Nr. 078-39-C	Designer: E.M. van Rijswijk	Rev:C	
Date: Tuesday, November 10, 2015	Sheet: 1	of 2	

### History Table

Version	Date	Comments
A	05/14/2014	Initial Approved Release
B	07/14/2014	<ul style="list-style-type: none"> <li>- Replaced FET by LDO to slow down VDD_3V3_PERF ramp-up</li> <li>- Delayed switch-on of VANA_5V by placing C71</li> <li>- Changed net name on Peripherals page from VDD_580_M to VBAT_580_M</li> <li>- Added off page connector on Peripherals page for RST and updated Block Diagram</li> <li>- Changed values of R50, R51, R52 and R53 from 1k to 0R</li> <li>- Changed LED resistor values to change illumination</li> <li>- Changed default value of R60 to 0R</li> <li>- Changed reset circuit on PCI-E page to facilitate reset generation from both the push button and the debugger</li> </ul>
C	11/10/2014	This PCB only Modification: Move vias to the middle of the bga-pads of U8 (SAM3U2CA)

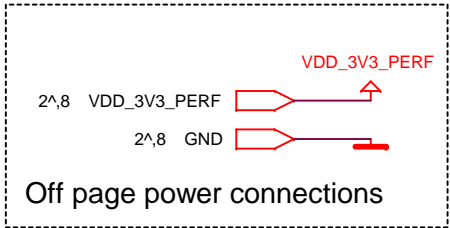
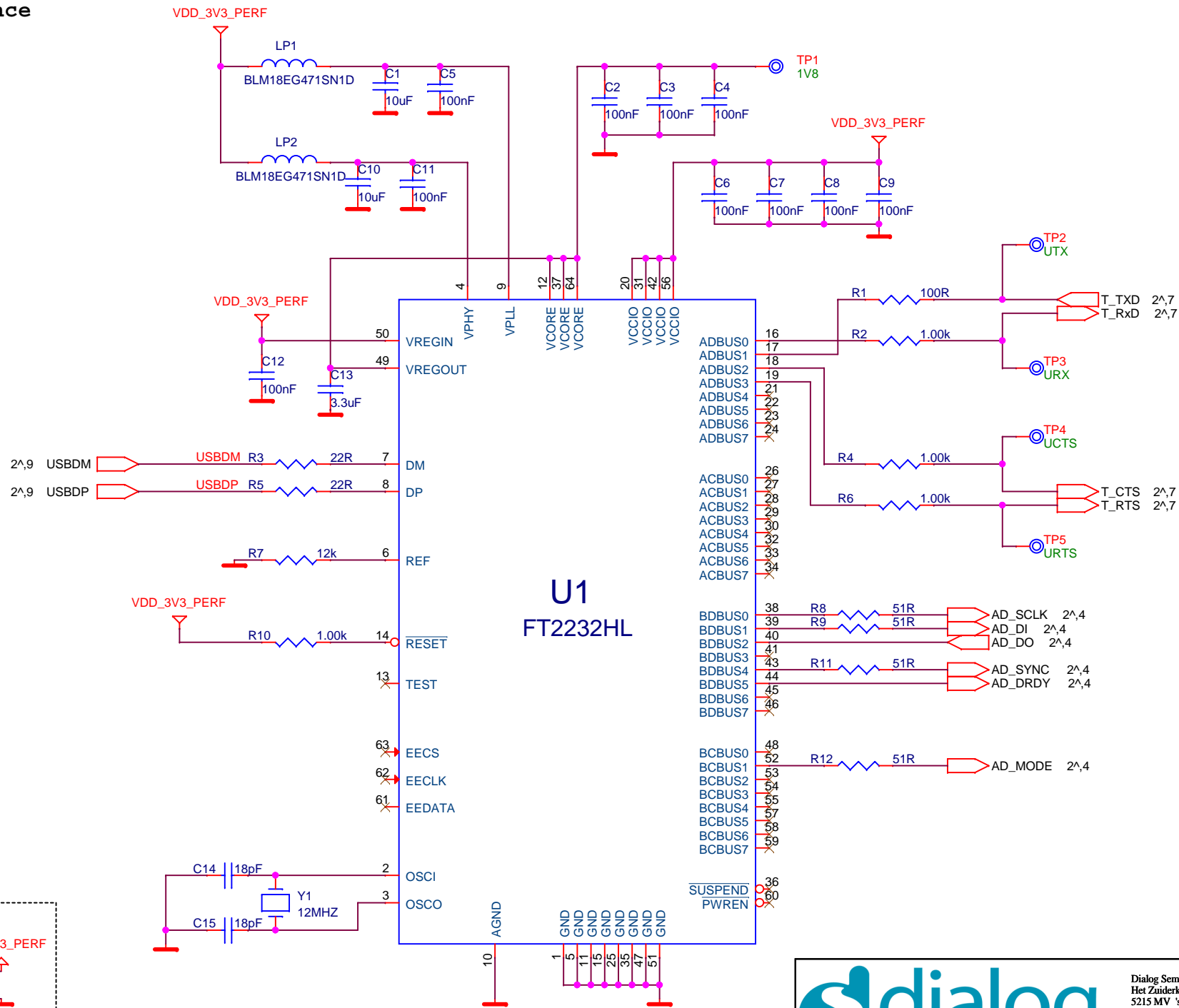
### Schematic Annotations

Annotation	Description
1^,8 NETNAME 	Off-page net connectors hold a reference to the pages their used on (e.g. pages 1, 8)



Dialog Semiconductor  
 Het Zuiderkruis 53  
 5215 MV 's-Hertogenbosch  
 tel. (+31) 73 6408822  
 fax. (+31) 73 6408823

# SPI and Serial Interface

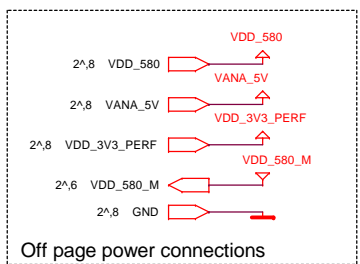
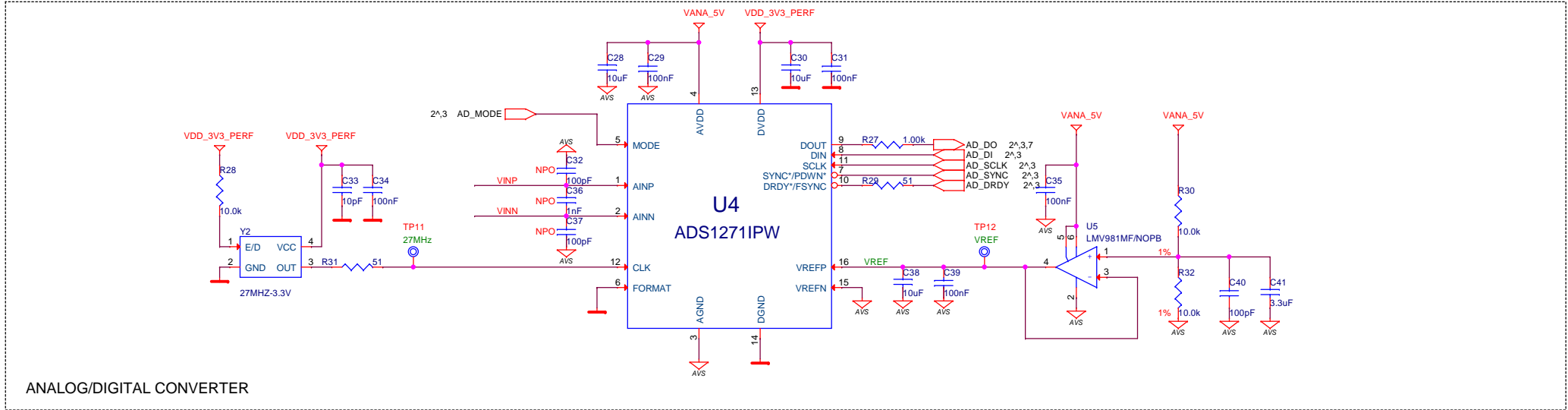
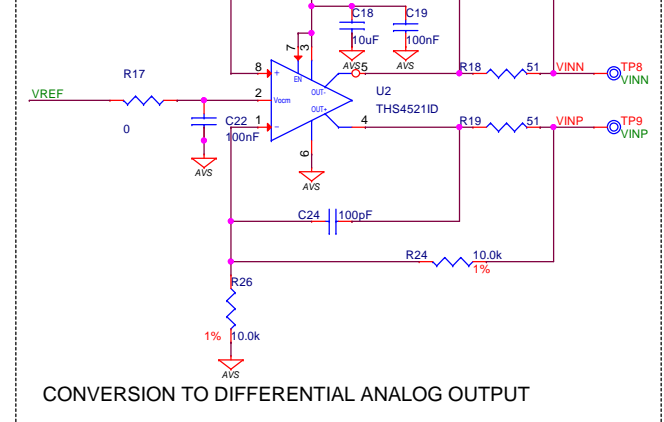
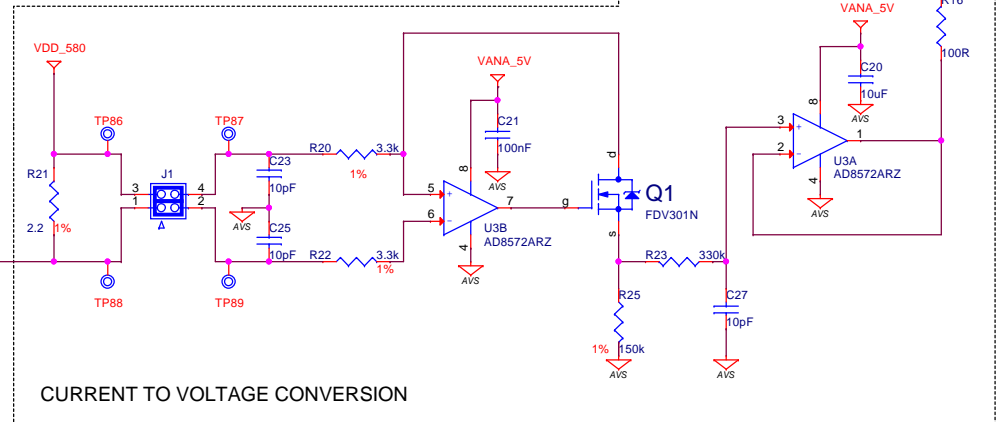
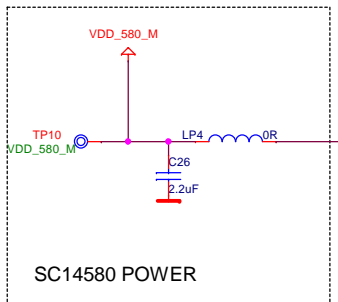
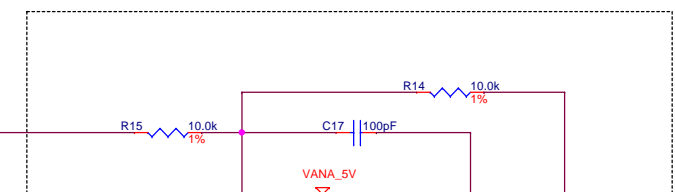
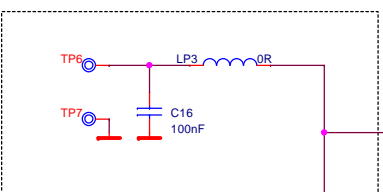
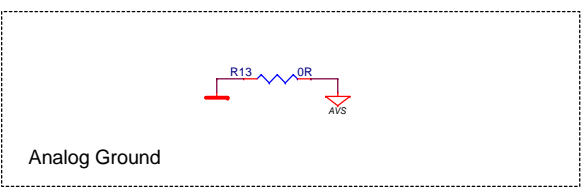


**dialog**  
SEMICONDUCTOR

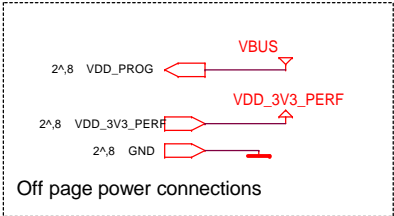
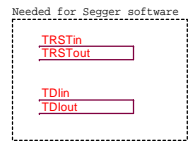
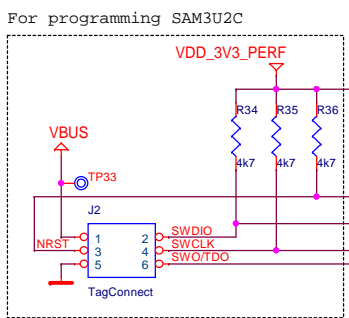
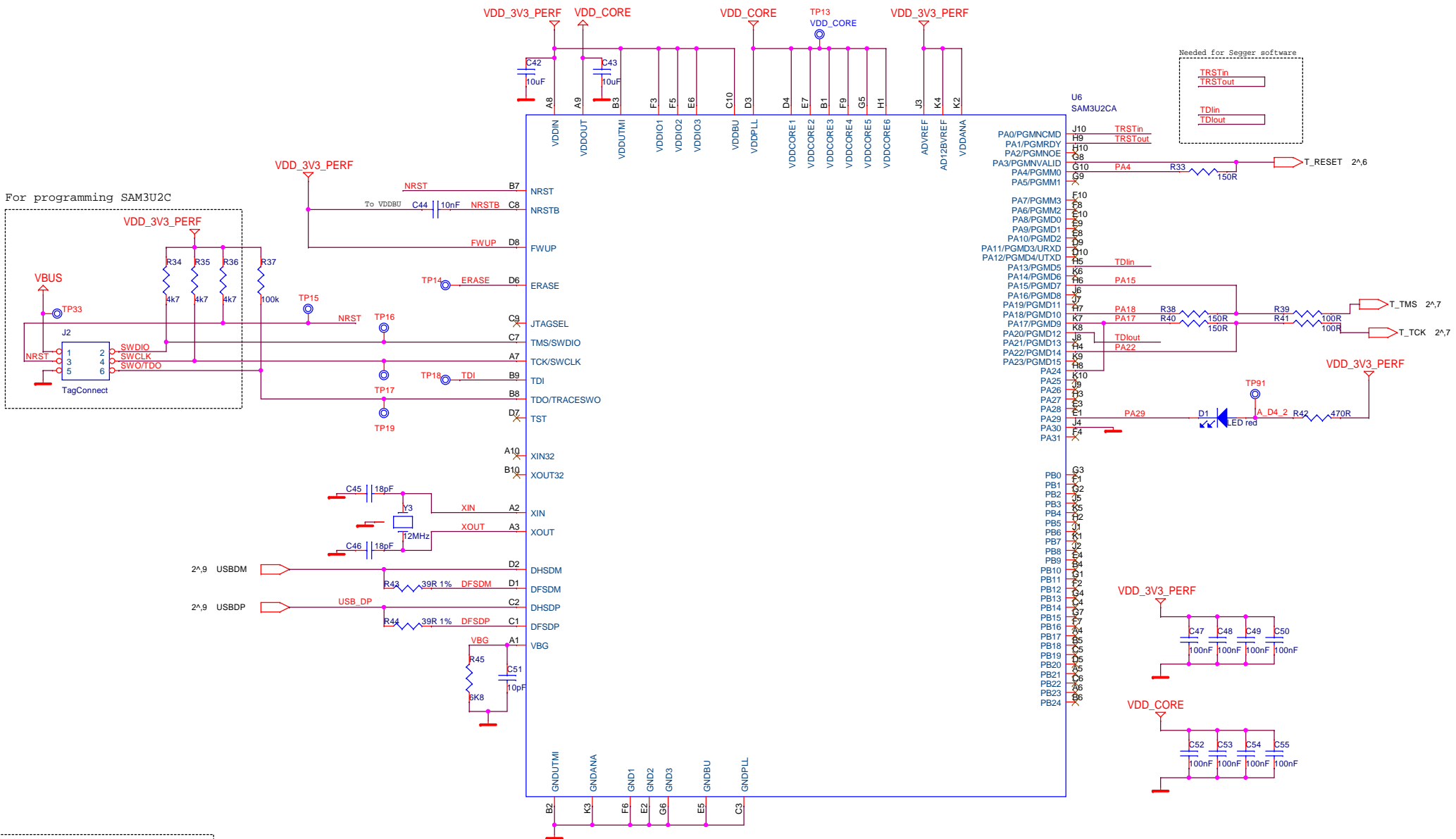
Dialog Semiconductor  
 Het Zuiderkruis 53  
 5215 MV 's-Hertogenbosch  
 tel. (+31) 73 6408822  
 fax. (+31) 73 6408823

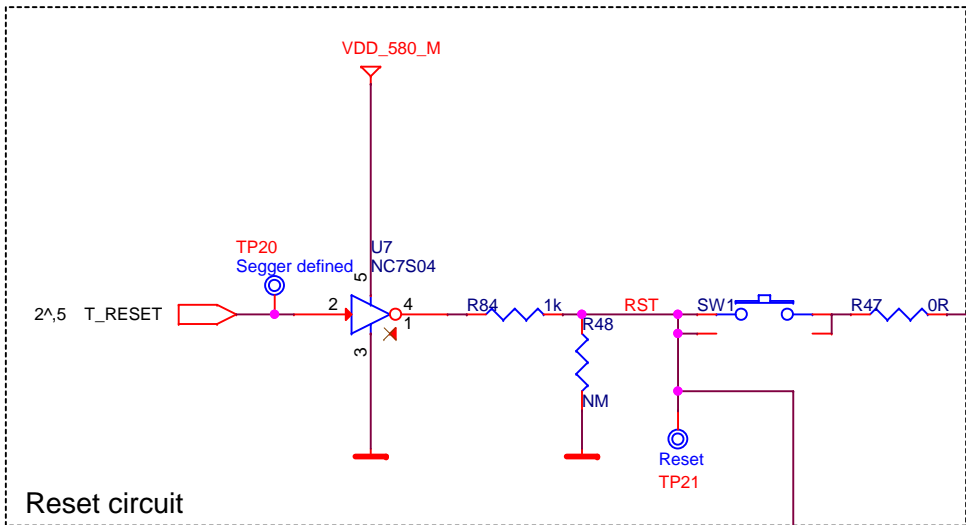
Title : <b>DA14580DEVKT-P</b>		
Doc. Nr. 078-39-C	Designer: E.M. van Rijswijk	Rev: C
Date: Tuesday, November 10, 2015	Sheet: 3 of	9

**Current Measurement**

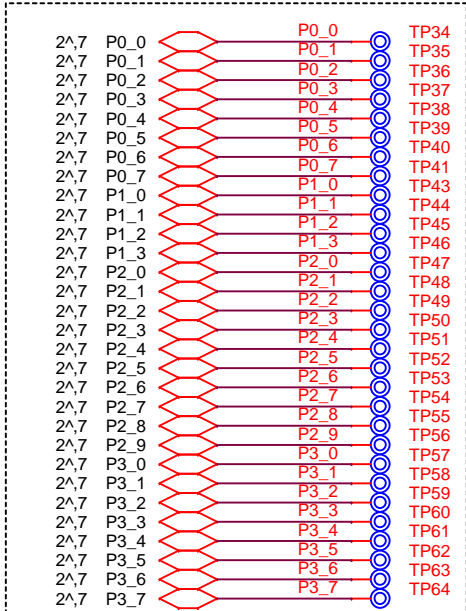


JTAG Interface

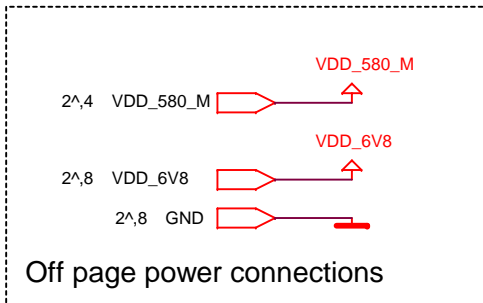




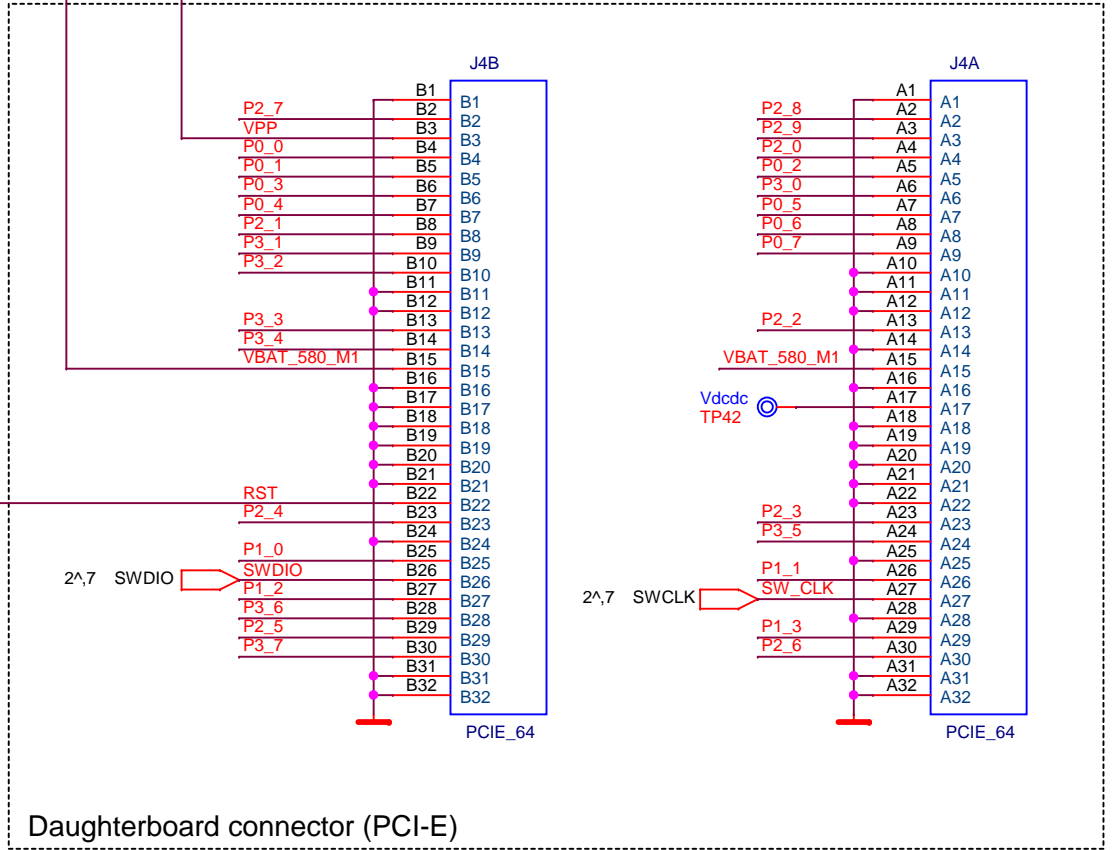
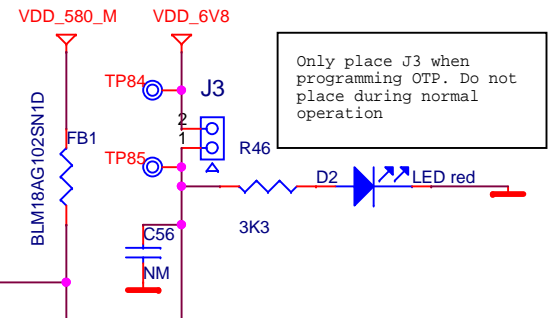
Reset circuit



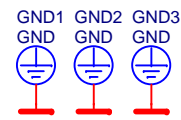
Off page GPIO connections



Off page power connections



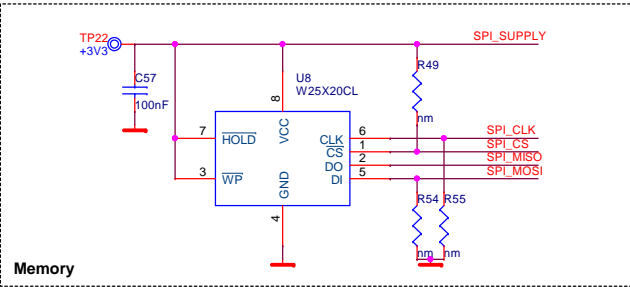
Daughterboard connector (PCI-E)



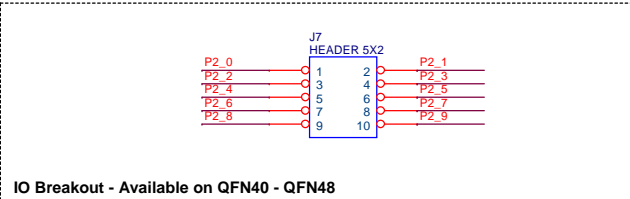
**dialog**  
SEMICONDUCTOR

Dialog Semiconductor  
Het Zuiderkruis 53  
5215 MV 's-Hertogenbosch  
tel. (+31) 73 6408822  
fax. (+31) 73 6408823

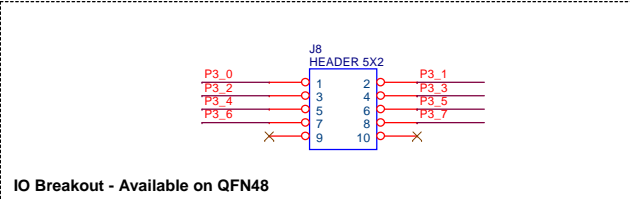
Peripherals



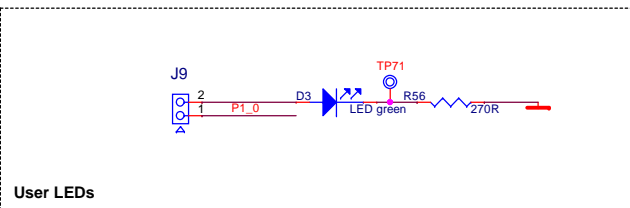
Memory



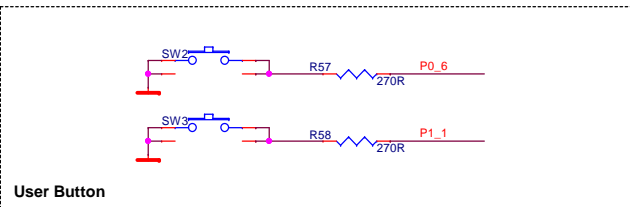
IO Breakout - Available on QFN40 - QFN48



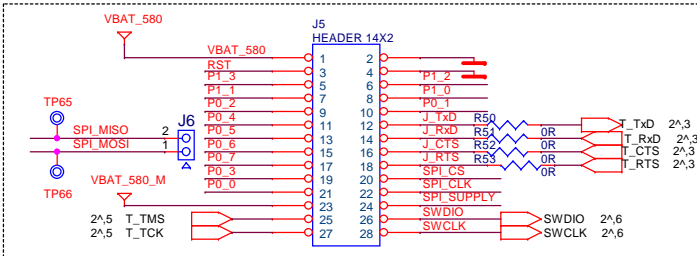
IO Breakout - Available on QFN48



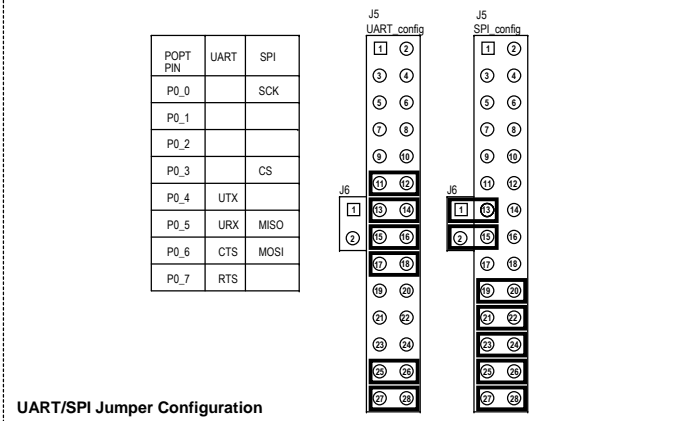
User LEDs



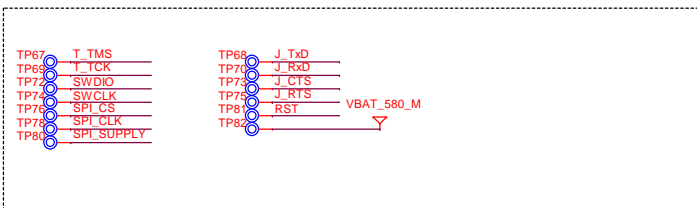
User Button



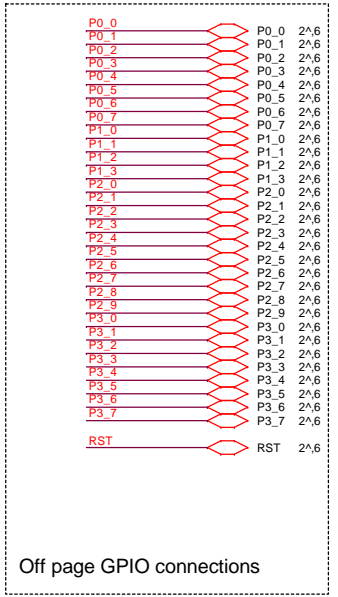
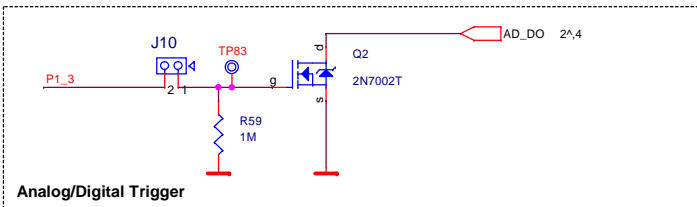
IO Breakout - Available on all daughterboards



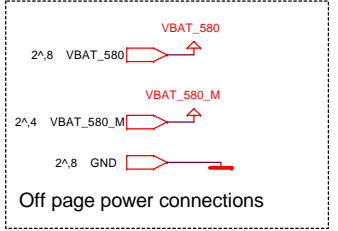
UART/SPI Jumper Configuration



Analog/Digital Trigger

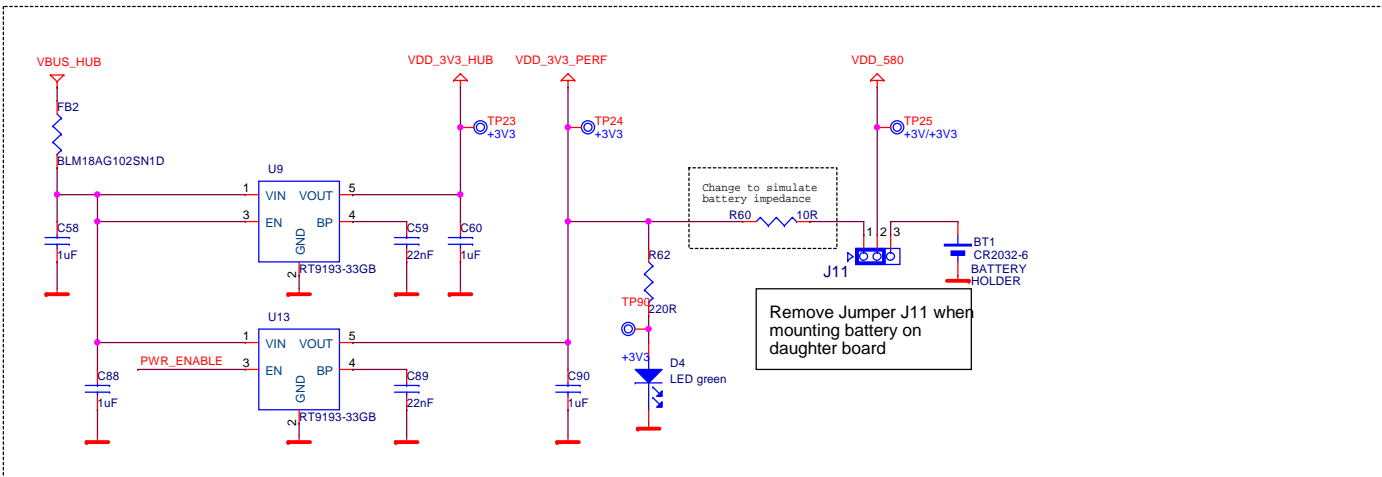


Off page GPIO connections

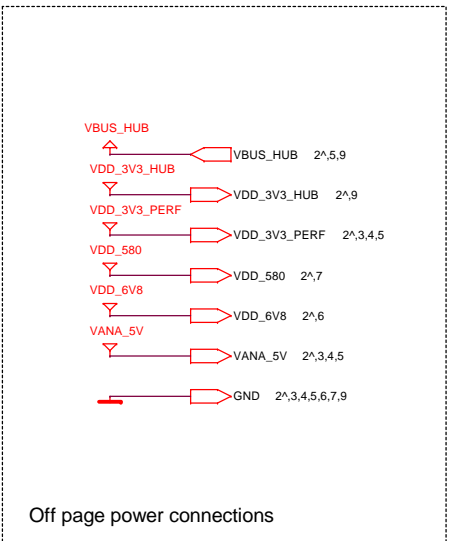


Off page power connections

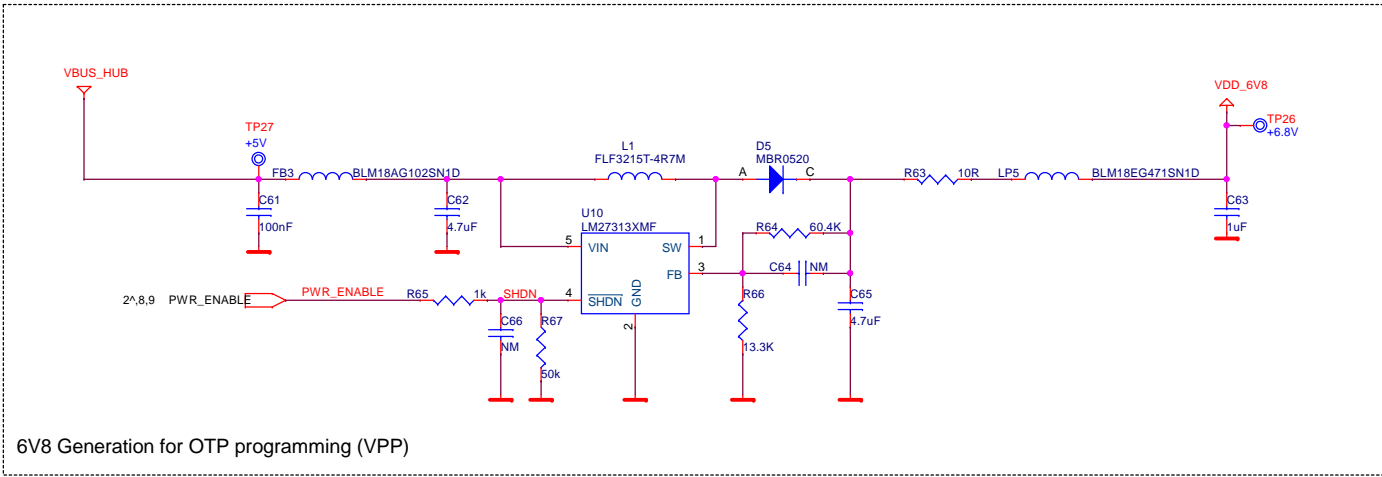
Power Supplies



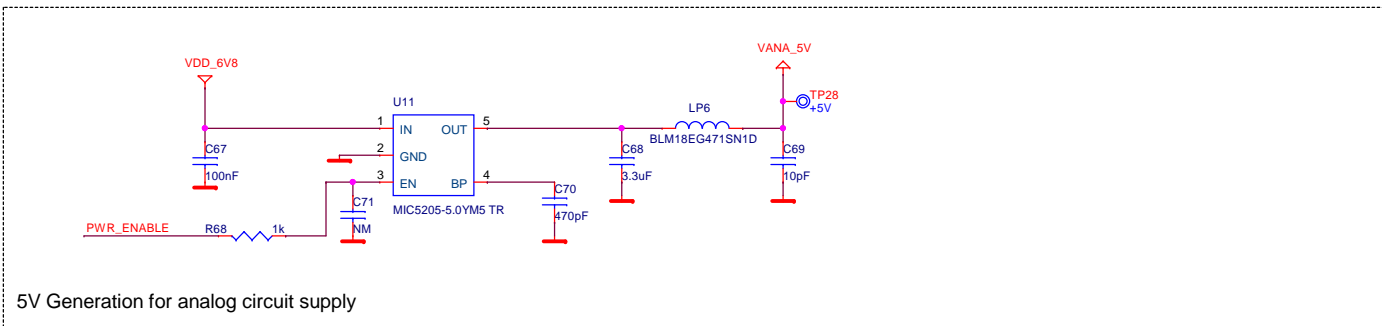
3V3 Generation and battery selection for DA14580 and Peripherals



Off page power connections



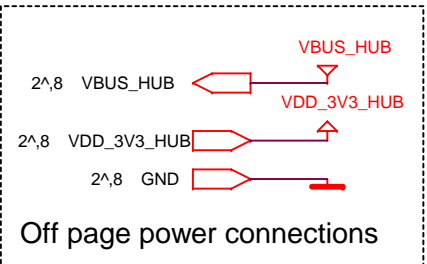
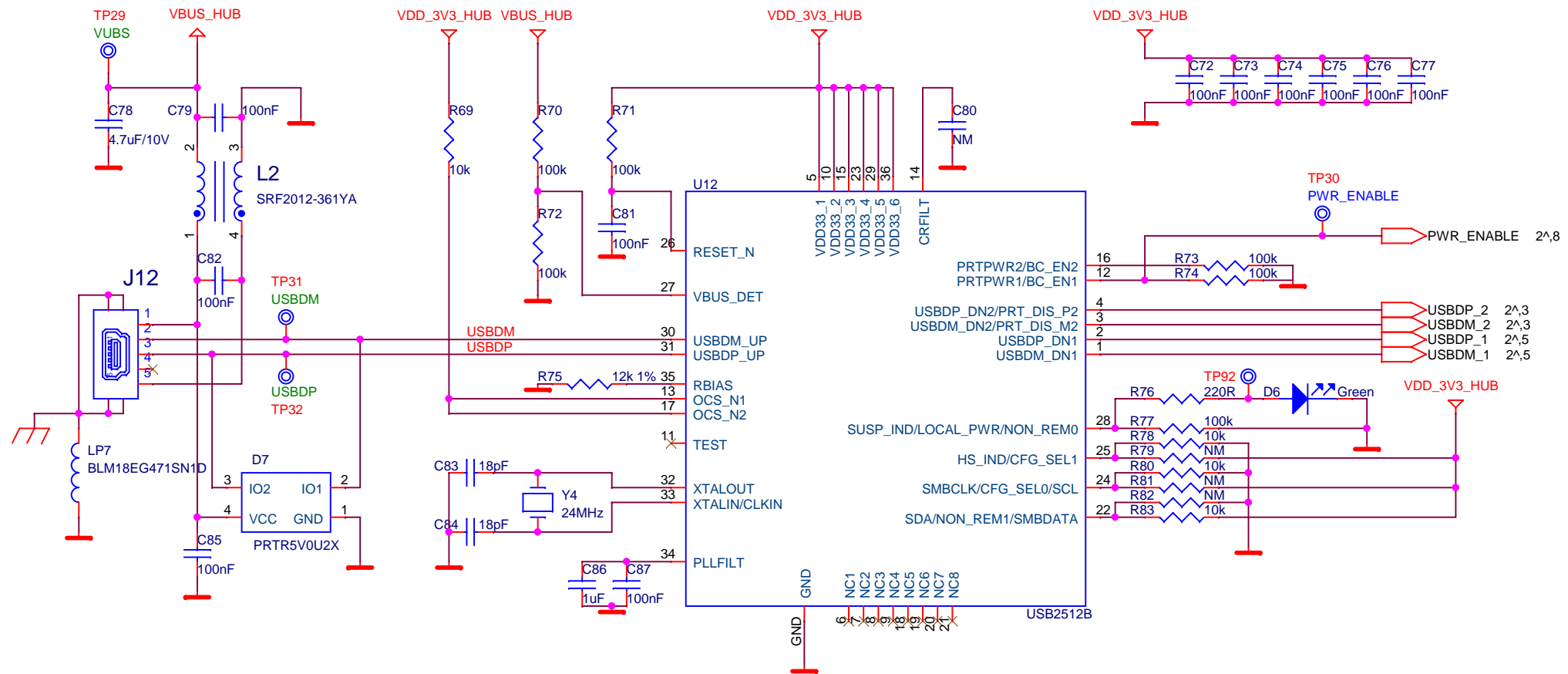
6V8 Generation for OTP programming (VPP)



5V Generation for analog circuit supply



# USB HUB Controller



**dialog**  
SEMICONDUCTOR

Dialog Semiconductor  
Het Zuiderkruis 53  
5215 MV 's-Hertogenbosch  
tel. (+31) 73 6408822  
fax. (+31) 73 6408823

Title : DA14580DEVKT-P		
Doc. Nr. 078-39-C	Designer: E.M. van Rijswijk	Rev:C
Date: Tuesday, November 10, 2015	Sheet: 9 of	9