

DA14592 Standard Module

| | |
|-------------|-------------------|
| Design Name | DA1459x_module |
| Ref. Number | 469-17-D |
| Version | D |
| Date | 16/Oct/2023 |
| Designer | Panos Raftopoulos |
| | |

Configuration note

NOTE box

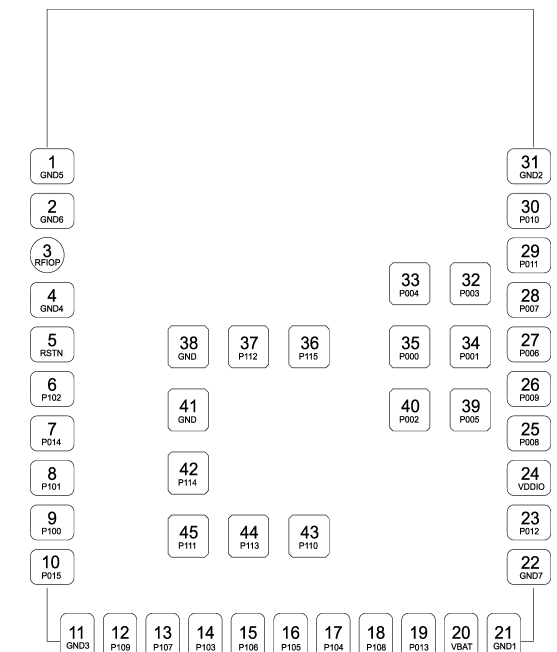
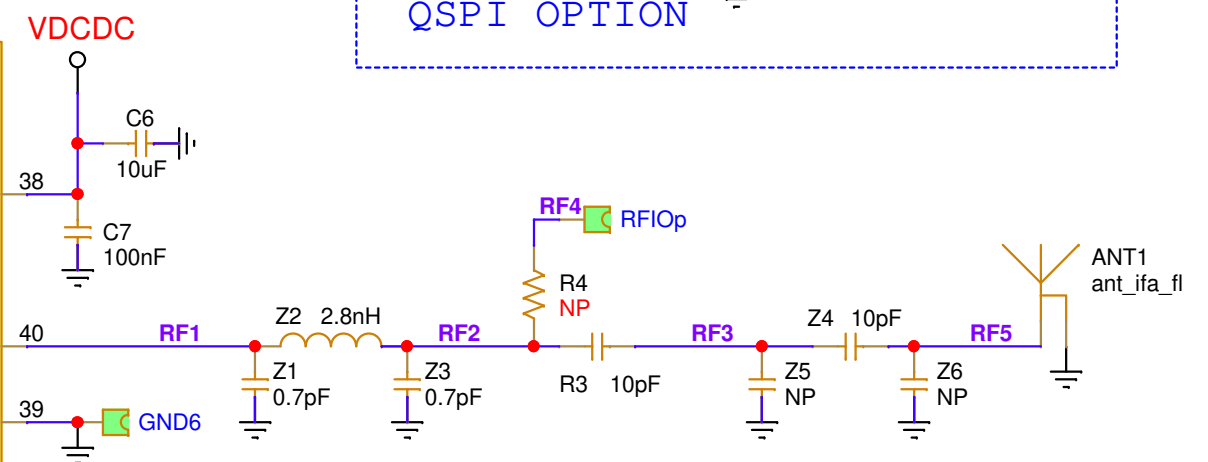
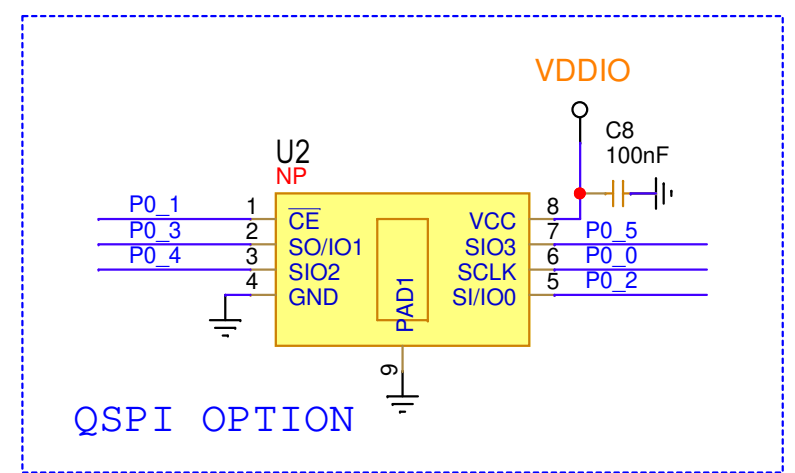
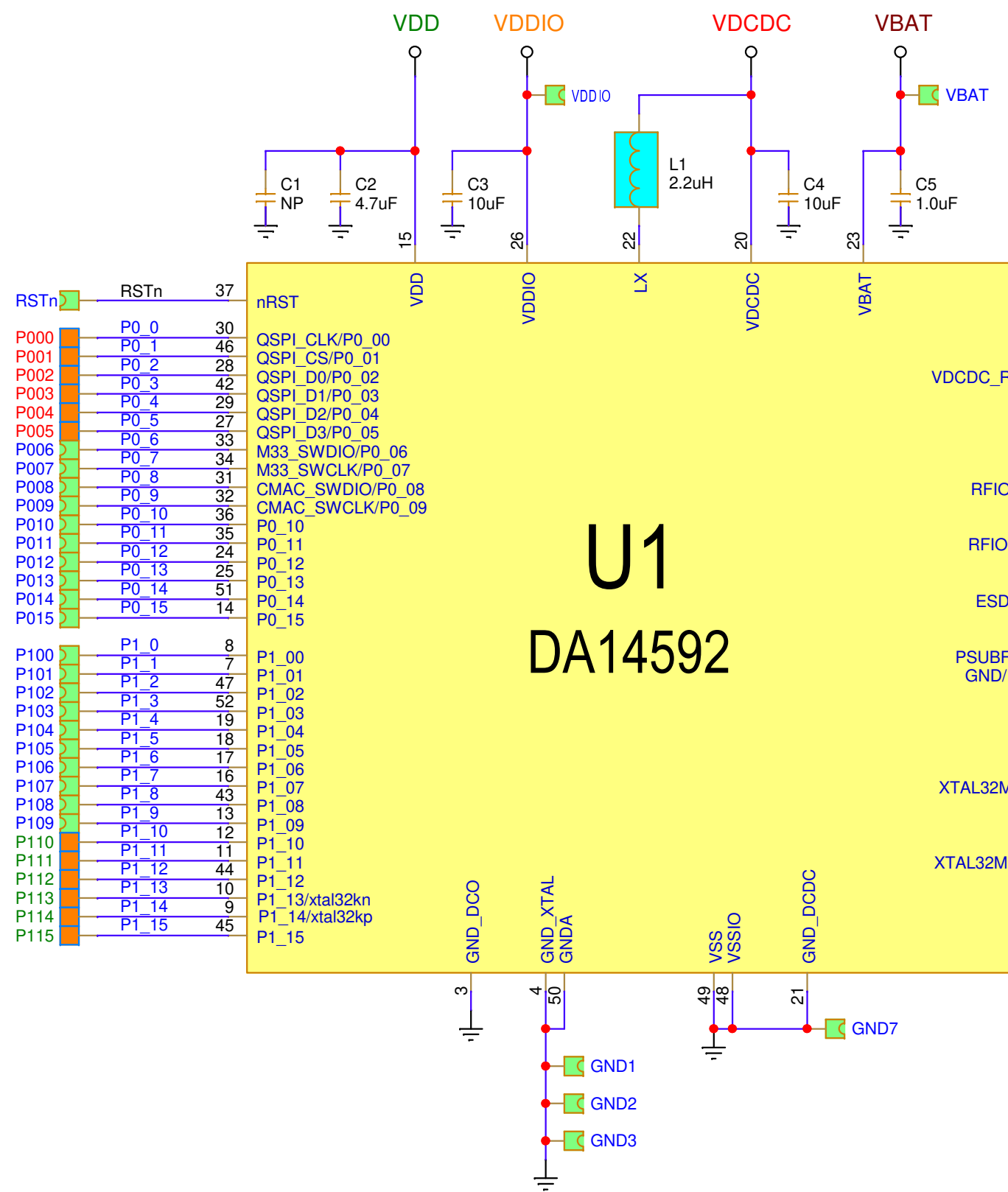
Changes in this Version.

| History Table | | |
|---------------|-------------|--|
| Version | Date | Comments |
| | 13/Apr/2023 | Release for internal review |
| | 22/Jun/2023 | Release for internal review |
| A | 27/Jun/2023 | Changed L1 part number to LSANB2016KKT2R2M |
| A2 | 13/Jul/2023 | Corrected Y1 Manufacturer_Part_Number to XRCGB32M000F1SBAR0 Released to manufacturing |
| B | 05/Sep/2023 | Modified the printed antenna in layout editor |
| C | 05/Oct/2023 | Changed Z1,Z3 part number to GJM0335C1HR70WB01D Changed Z2 part number to LQP03TG2N8B02D Changed R3,Z4 part number to GRM0335C1H100JA01J Modified mask openings for the shield in layout editor |
| D | 16/Oct/2023 | Changed C2 part number to GRM155R60J475ME47 (4.7uF/0402) Changed C3, C4, C6 part number to GRM155R60J106ME05D |
| | | |



RENESAS

Renesas Electronics
N.E.O. Athinon-Patron 15
26441, Patra, Greece
tel. (+30) 2610390940
fax. (+30) 2610390941



BOTTOM PIN ASSIGNMENTS
(VIEWED FROM TOP)