

# DA1459x Devkit-Pro Daughterboard

Design Name	DA1459x_db_fcqfn52
Ref. Number	469-08-B
Version	B4
Date	10/Nov/2023
Designer	Panos Raftopoulos

Configuration note

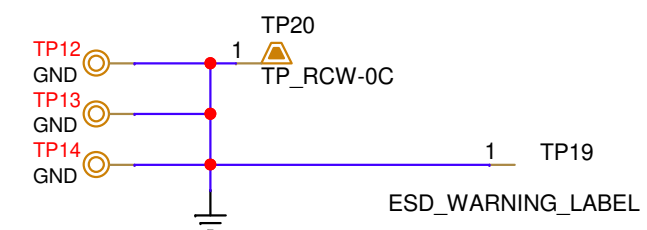
NOTE box

Changes in this Version.

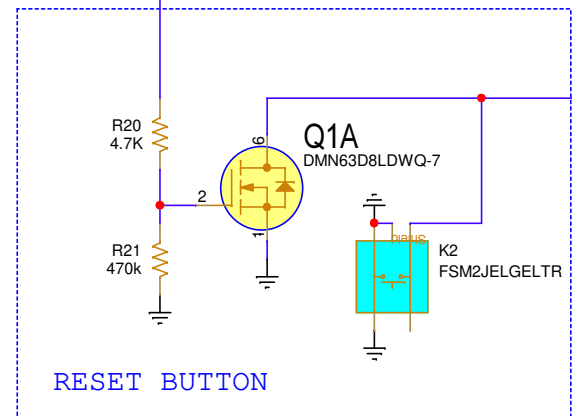
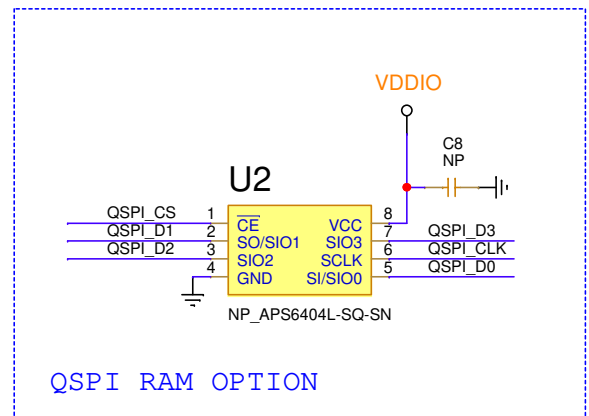
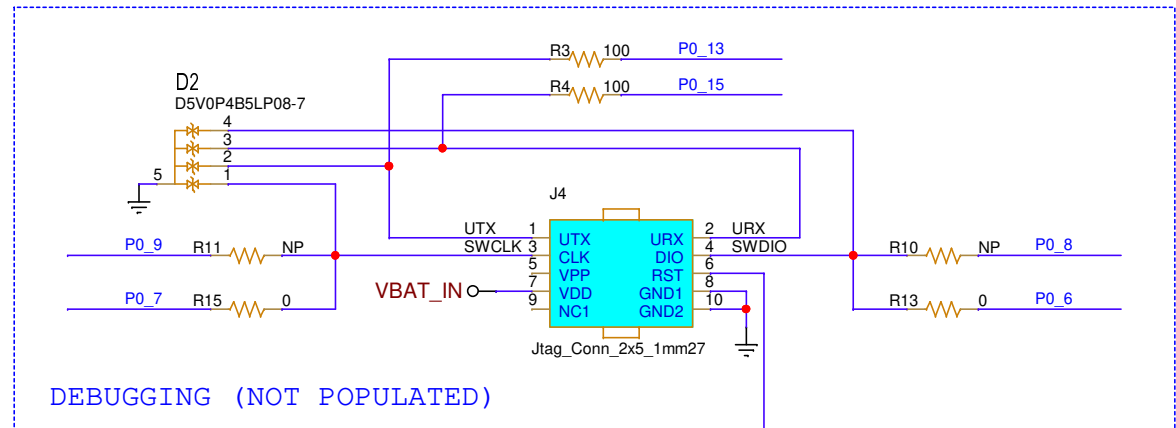
TP10 FIDUCIAL

TP11 FIDUCIAL

History Table		
Version	Date	Comments
	30/June/2020	Release for internal review
A	15/Sept/2020	Released for manufacturing
A2		BOM modifications: - Changed J4 as populated - Antenna matching:
A3	23/Nov/2022	<ul style="list-style-type: none"> <li>Z1 changed to LQP03TG1N5B02 (1.5nH)</li> <li>Z2 changed to 250R05L4R3BV4S (4.3pF)</li> <li>Z3 changed to GRM0335C1H2R7CA01 (2.7pF)</li> </ul>
B	05/Apr/2023	Removed all references to da1469x mainboard Replaced J3 header with a slide switch (SW1)
B2	19/Oct/2023	Added filter for FCC Tx spurious 3rd harmonic limit: <ul style="list-style-type: none"> <li>Changed Z4 part number to LQP03TG2N8B02D</li> <li>Changed Z5,Z6 part number to GJM0335C1HR70WB01D</li> </ul> Changed C2 to 2.2uF Changed C3,C4,C6 part number to GRM155R60J106ME05D
B3	03/Nov/2023	Changed R12, R14 to Not Populated
B4	10/Nov/2023	Changed R12, R14 to 0 ohm Changed Y2 to Not Populated



Renesas Electronics  
 N.E.O. Athinon-Patron 15  
 26441, Patra, Greece  
 tel. (+30) 2610390940  
 fax. (+30) 2610390941



RSTn	37	nRST	37
P0_0	R1	36	QSPI_CLK
P0_1	R2	36	QSPI_CS
P0_2	R6	36	QSPI_D0
P0_3	R7	36	QSPI_D1
P0_4	R8	36	QSPI_D2
P0_5	R9	36	QSPI_D3
P0_6		33	QSPI_D3/P0_05
P0_7		34	M33_SWCLK/P0_06
P0_8		31	M33_SWCLK/P0_07
P0_9		32	CMAC_SWCLK/P0_08
P0_10		36	CMAC_SWCLK/P0_09
P0_11		35	P0_10
P0_12		24	P0_11
P0_13		25	P0_12
P0_14		51	P0_13
P0_15		14	P0_14
P1_0		8	P1_00
P1_1		7	P1_01
P1_2		47	P1_02
P1_3		52	P1_03
P1_4		19	P1_04
P1_5		18	P1_05
P1_6		17	P1_06
P1_7		16	P1_07
P1_8		43	P1_08
P1_9		13	P1_09
P1_10		12	P1_10
P1_11		11	P1_11
P1_12		44	P1_12
P1_13	R12	0	xtal32km
P1_14	R14	0	xtal32kp
P1_15		45	P1_13/xtal32kn
			P1_14/xtal32kp

