

DA14590 Basic Development Kit

Design Name	DA1459x-devkt-b-usb
Ref. Number	469-14-C
Version	C4
Date	Sep 19, 2024
Designer	PR
Family	D2634

Configuration note

NOTE box

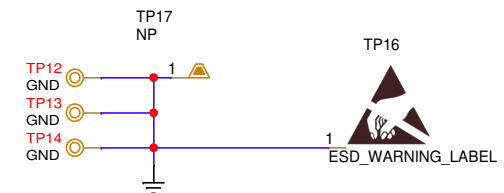
Changes in this Version.

History Table

Version	Date	Comments
A	02 / Oct / 2020	Initial Release
	06 / Sep / 2023	Added option for current measurement point (R5/J5) Changed U8 part# from LMV321AS5X (obsolete) to LMV321AUIDBVR Removed R65, R431 (option for AN pin on MikroBUS) Renamed R437 to R2 Changed U2, Y6, TP17 to not populated Changed Logo to Renesas Release for internal review
B	11 / Sep / 2023	Changed signal for user button (SW2) from P1_10 to P0_10 & active low Changed connection of R62.2 from P0_10 to P0_12 (MikroBUS PWM) Changed connection of U4.J3, U4.K4 from VIO to 3V3 Changed power supply of U6 from VIO to 3V3 Changed R42 to 100k Added testpoint (TP20) to P0_14 Added testpoint (TP25) to P0_10 [PCB mod] Changed placement of J3/J4 from top to bottom Changed Z5 from LQP15MN1N6W02D (obsolete) to LQP03TG1N6B02 Released for manufacturing
C	09 / Nov / 2023	U4 pins J3 and K4 (ADVREF & AD12BVREF) connected to VIO Correction on SWDIO & SWCLK connectivity
C2	05 / Jul / 2024	Added filter for FCC Tx spurious 3rd harmonic limit: • Changed Z3 to 2.8nH (LQP03TG2N8B02D) • Changed Z1,Z2 to 0.7pF (GJM0335C1HR70WB01D)
C3	13 / Aug / 2024	• Changed Z1,Z2 part number to GJM1555C1HR70BB1D • Changed Z3 part number to LQW15AN2N7G80
C4	19 / Sep / 2024	Changed Z3 part number to LQW15WH2N8B02

TP10 FIDUCIAL
TP11 FIDUCIAL

TP53
PRISMA_PAD

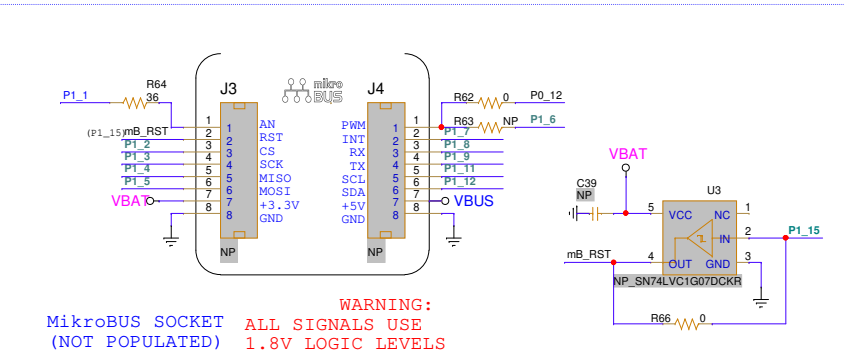
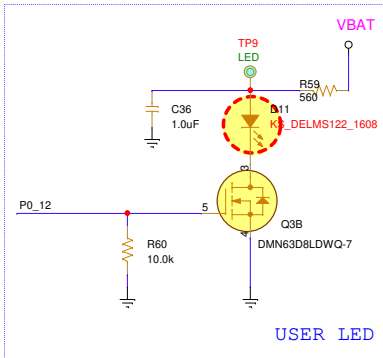
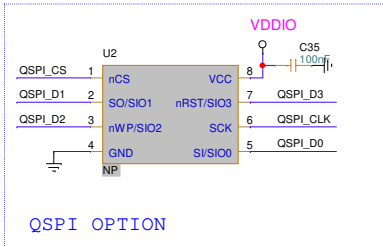
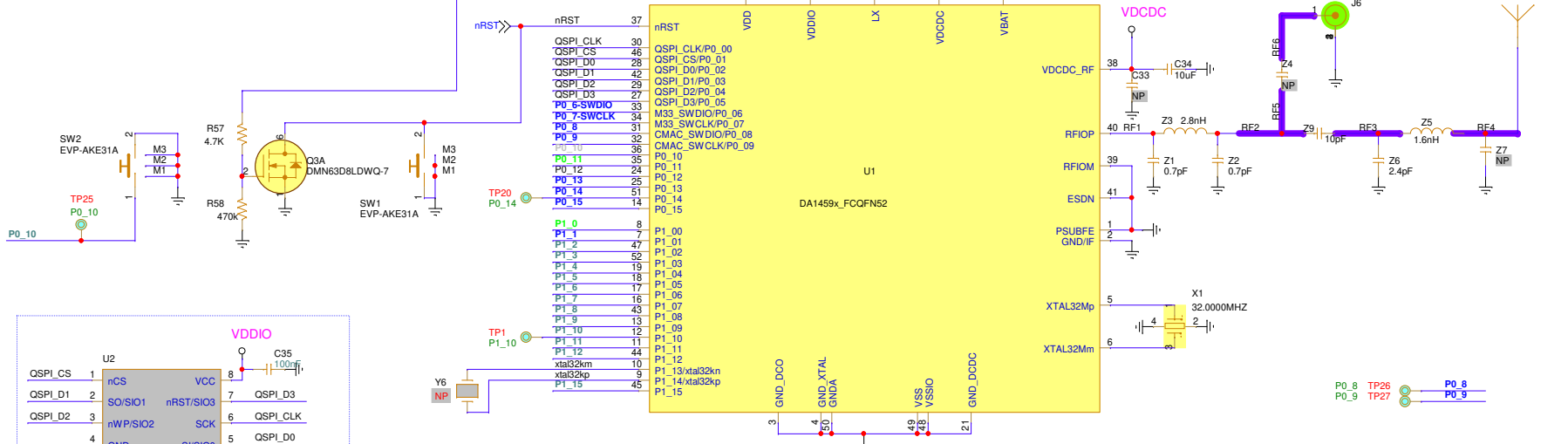
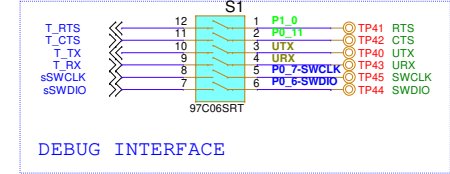
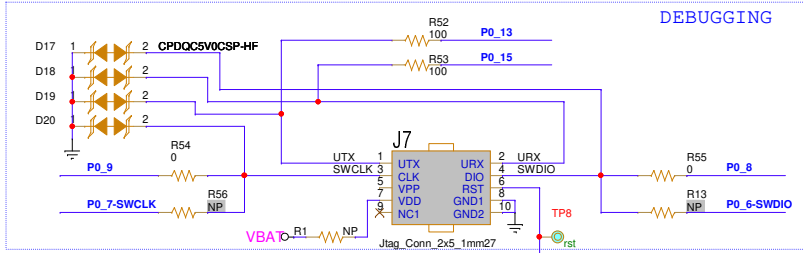


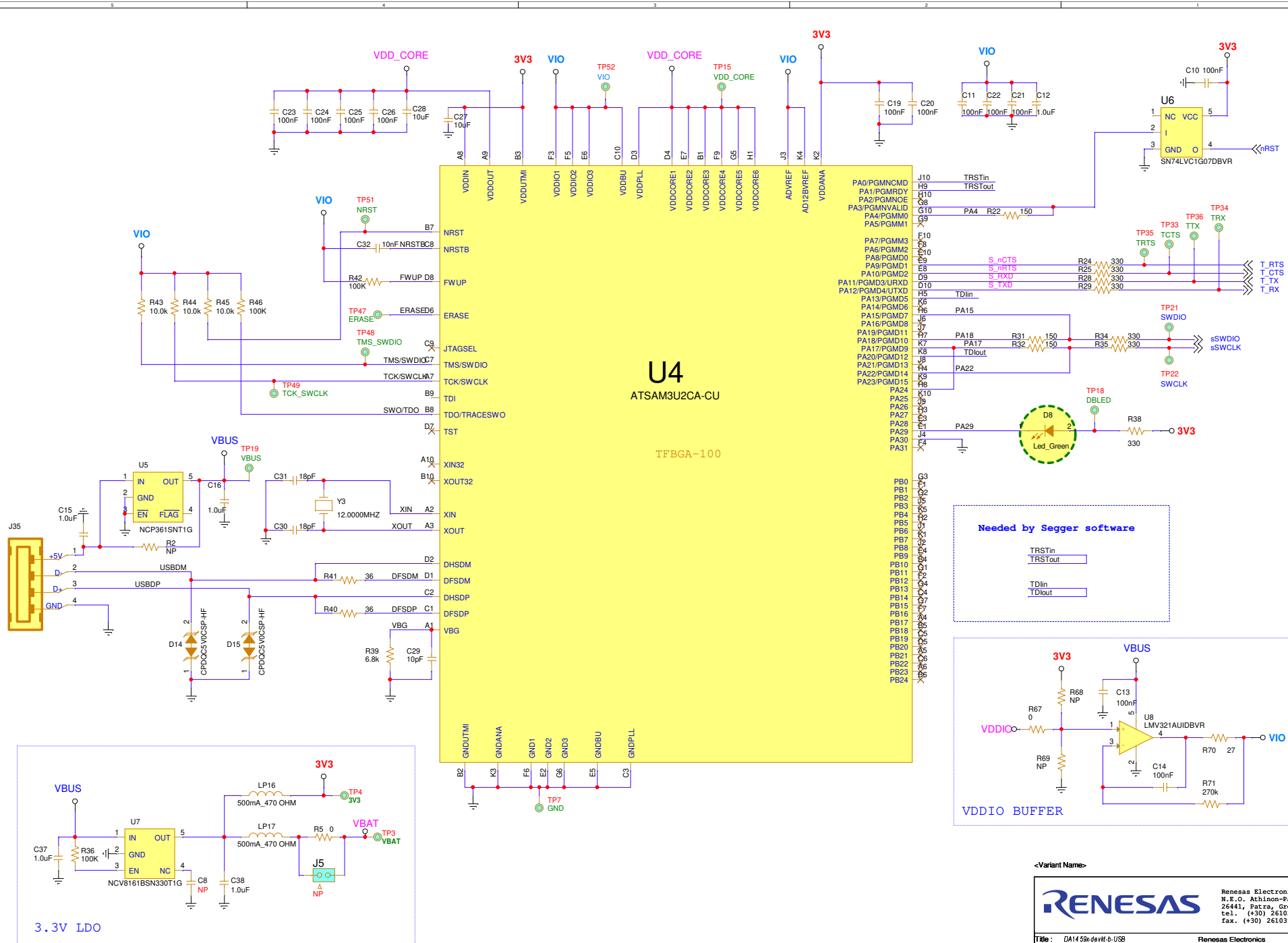
<Core Design>

RENESAS

Renesas Electronics
N.E.O. Athinon-Patron 15
26441, Patra, Greece
tel. (+30) 2610390940
fax. (+30) 2610390941

Title: DA1459x-devkt-b-USB		Renesas Electronics	
Doc. Nr. 469-14-C	Designer: PR	Rev: C	
Date: Thursday, September 19, 2024	Sheet: 1 of 3		





Needed by Segger software

TRSTin

TRSTout

TDIin

TDIout

