

DA14683 Reference Design

Design Name	DA14683_DB_WLCSP_vE
Ref. Number	224-15-E
Version	E
Date	July, 13, 2015
Designer	

Same PCB Board & Reference Number for WLCSP53 packages of

- DA14681
- DA14683
- DA15101

History Table

Version	Date	Comments
A	13/Mar/ 2015	Initial Schematic
B	17/Jun/ 2015	Add R24=2.2K for V14 rail power at power up Change value of C4 to 10uF Replace SW2 pin header connector with slide switch CUS-12TB Replace J3 RF Switch with Murata MM8130-2600
	26/Jun/ 2015	Add second choice for QSPI FLASH , U3, W25Q80EW
	03/Jul/ 2015	Change C8 from 1uF to 4.7uF Replace L1 part number (L2012 , lower DC Resistance)
C	29/Jul/ 2015	Connect R24 to V18 instead of VDDIO Change pin assignment for UTX (P1_3) URX (P2_3) Add Resistor R25=10MOhm to XTAL32Kp
D	16/Sept/ 2015	Make Resistor R24=2.2K NP
		Make W25Q80EW populated
E	16/Oct/ 2015	Modify for label
	13/Jul/ 2016	Modify IC part number to DA14683

Configuration note

NOTE box

Changes in this Version.

<Variant Name>



Dialog Semiconductor
52-54 Kalabriton Str.
26335, Patra, Greece
tel. (+30) 2610390940
fax. (+30) 2610390941

Title : DA14683 DB WLCSP vE

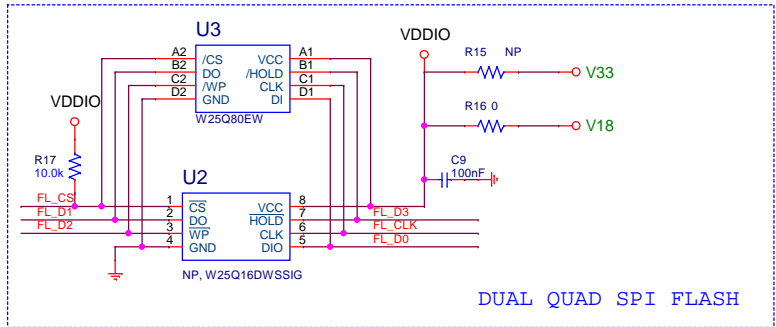
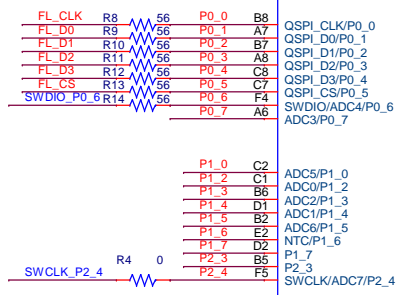
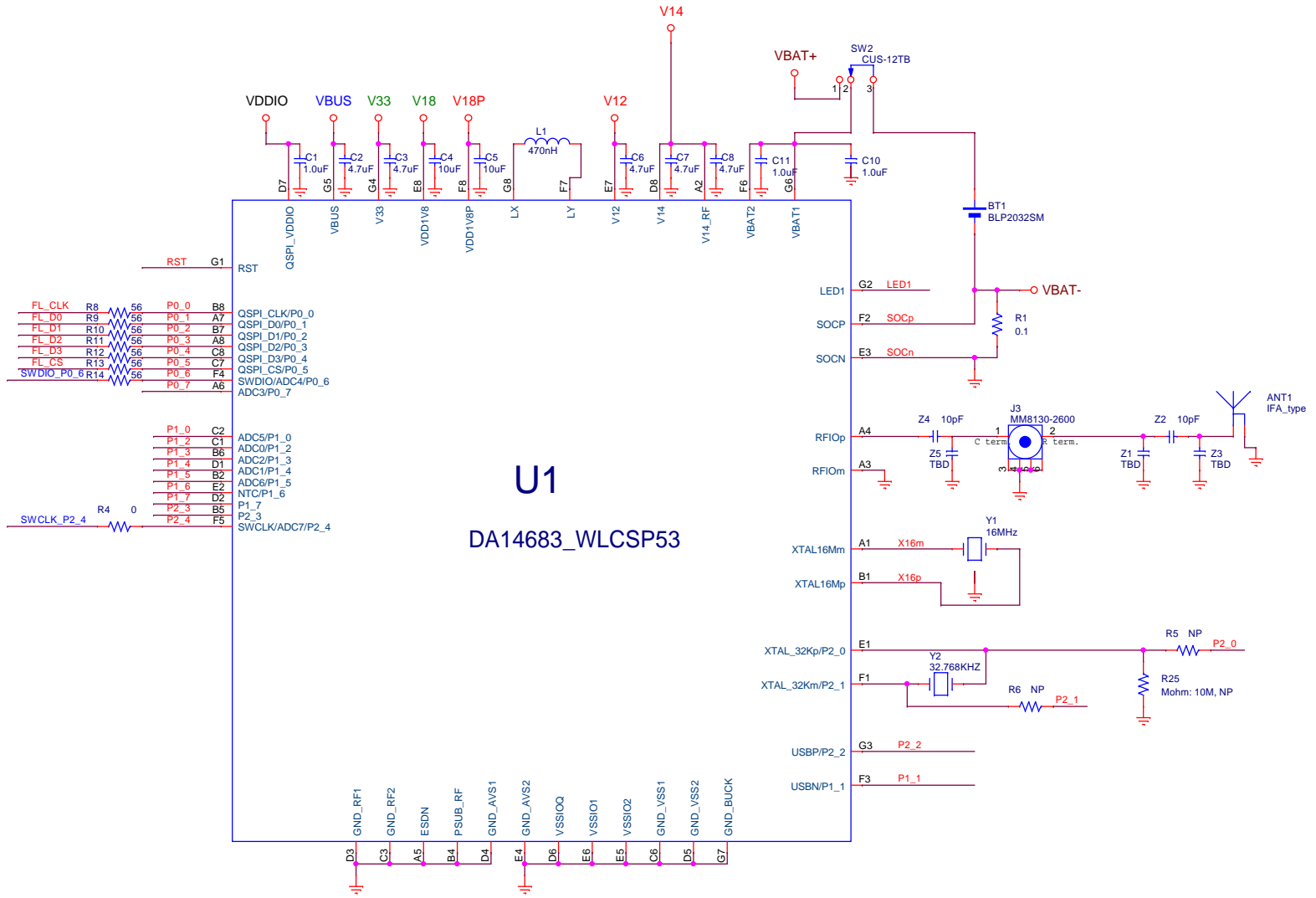
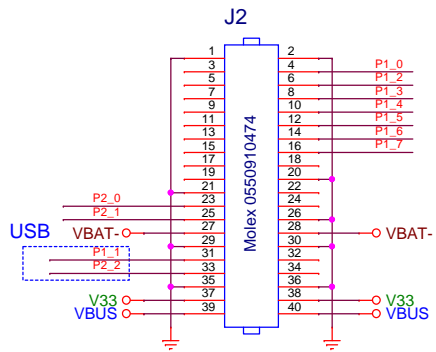
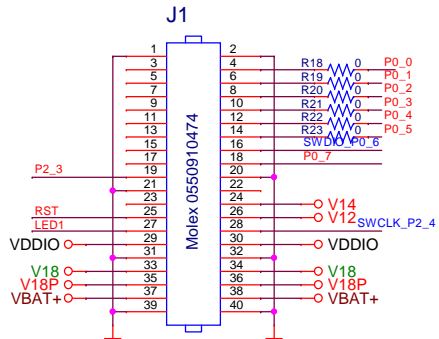
Doc. Nr. 224-15-E Designer: KL

Rev: E

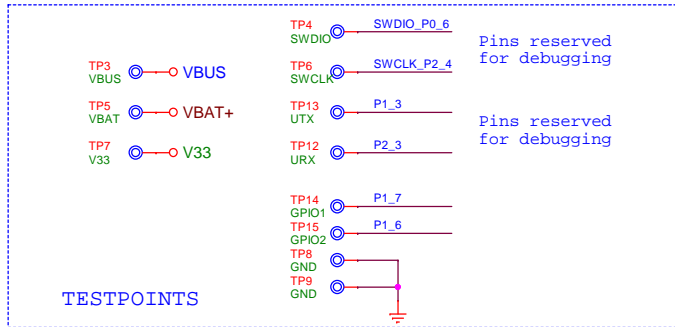
Date: Wednesday, July 13, 2016

Sheet: 0 of 1

CONNECTORS TO MOTHERBOARD



DUAL QUAD SPI FLASH



TESTPOINTS

Dialog Semiconductor
 Het Zuiderkruis 53
 5215 MW 't Horrenbosch
 tel. (+31) 73 640822
 fax. (+31) 73 640823