

# DA1469x Reference Design

Design Name	2522-db-vfbga86
Ref. Number	331-19-D
Version	D
Date	11/Dec/2018
Designer	Panos Raftopoulos

## History Table

Version	Date	Comments
A1.0	19/Mar/2018	Internal review release
A1.1	20/Mar/2018	Added pull-down resistor R24 to P1_1 Added options for DA14691/DA14695 - D9 single RED LED (D1 set as NP) - R25, R26 shorting LED pins to GND - R27, R28 shorting haptic driver pins to GND
A1.2	21/Mar/2018	Added RF filter option close to RFIOp (Z4,Z5,Z6) Changed L1 (DCDC inductor) to DFE201610E-R47M
	27/Mar/2018	Released for manufacturing
	10/Sep/2018	Added a current limiter mosfet on V30 (Q4) -> external loads now connect to the current-limited rail (V30x) Corrected the mismatch of the UART signals on J4 Added 0402 NP capacitor close to J3 pin-1 (C14)
B1.0	18/Sep/2018	Released for manufacturing
	04/Oct/2018	Changed R27, R28 to N.P. Changed C13 value to 2.2uF/25V Modified options for the QSPI flash package: - U2 --> 8SOIC 208mil - U2X --> 8USON 2x3mm - U2Y --> 8SOIC 150mil
C1.0	05/Oct/2018	Released to internal review
C1.1	15/Nov/2018	Changed ESD protection D7 D8 from ESD206B102ELSE6327XTSA1 (EOL) to ESD102U102ELSE6327XTSA1 (note: this part is polarized) Updated several parts as obsoleted/EOL and some with environmental compliance problems (K2, J3)
D1.0	11/Dec/2018	Added 0 ohm resistor (R29) shorting V18F to V18P Changed USB connector (J3) type to Molex 67503-1020 Changed default part# for 4.7uF capacitors to GRM155R61A475MEAAD

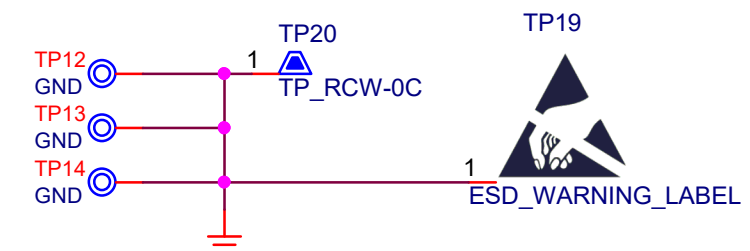
Configuration note

NOTE box

Changes in this Version.

—○ TP10 FIDUCIAL

—○ TP11 FIDUCIAL

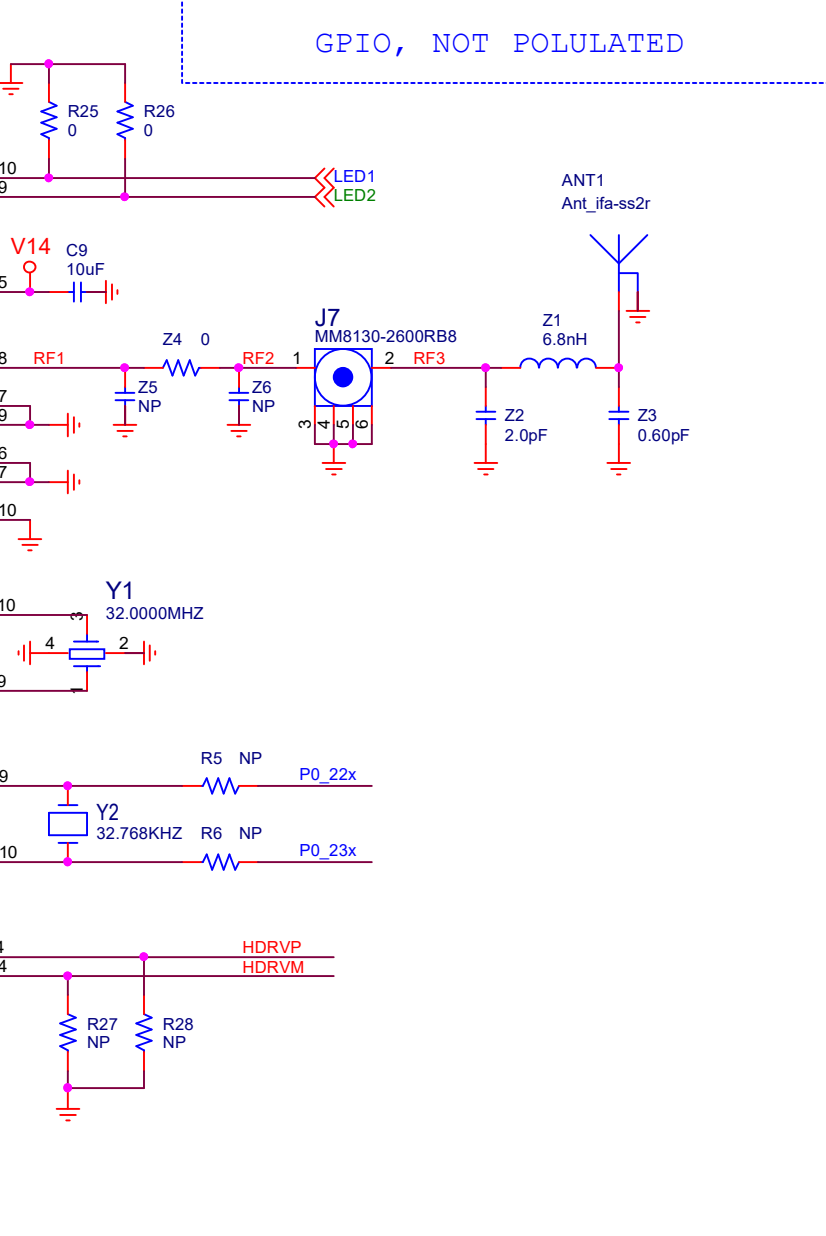
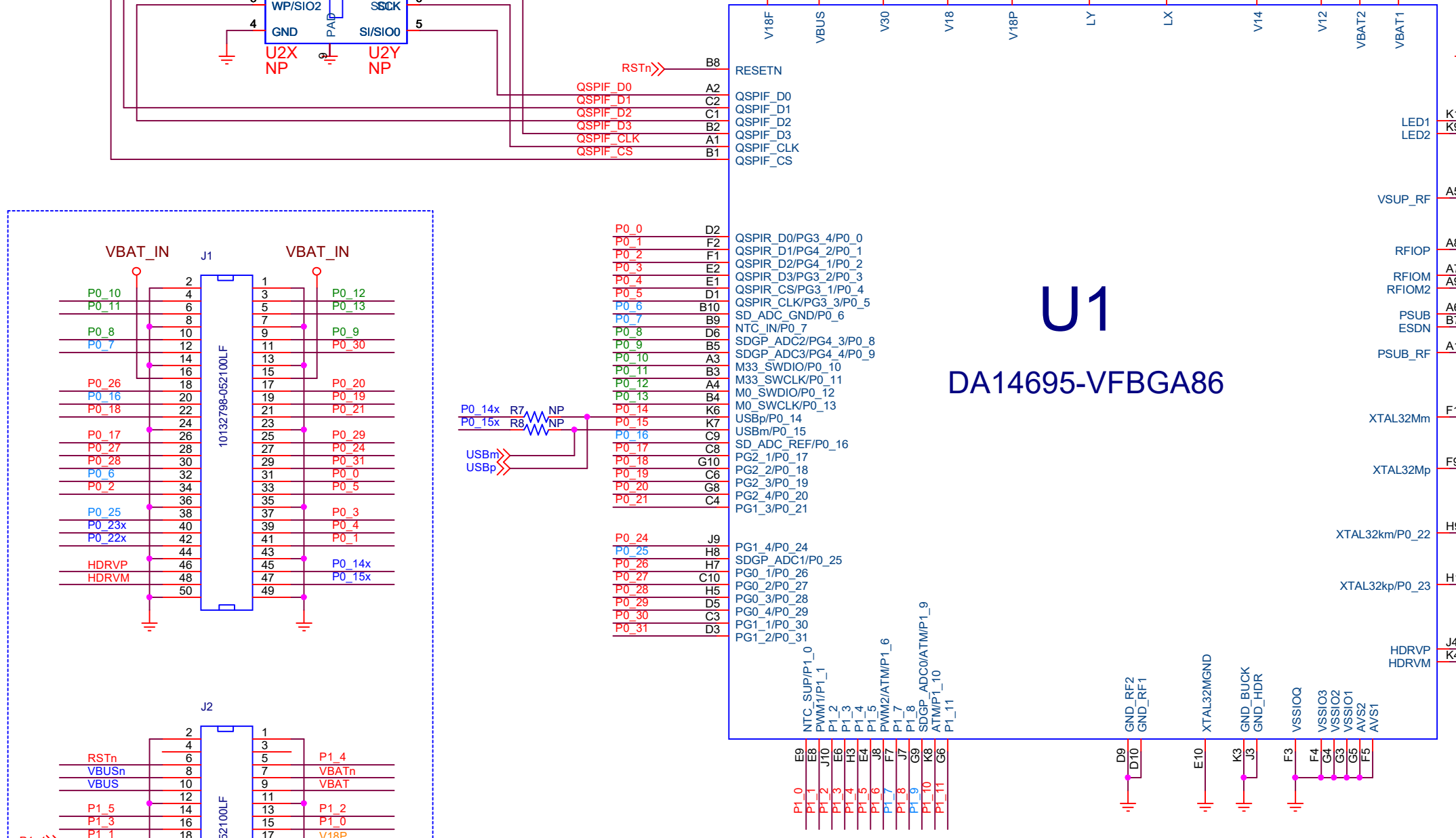
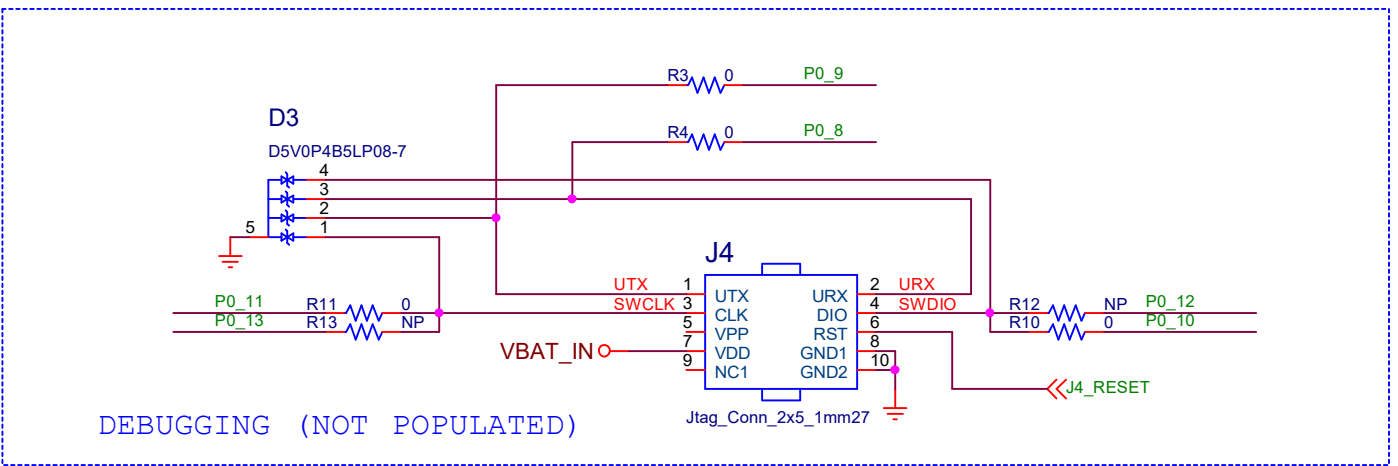
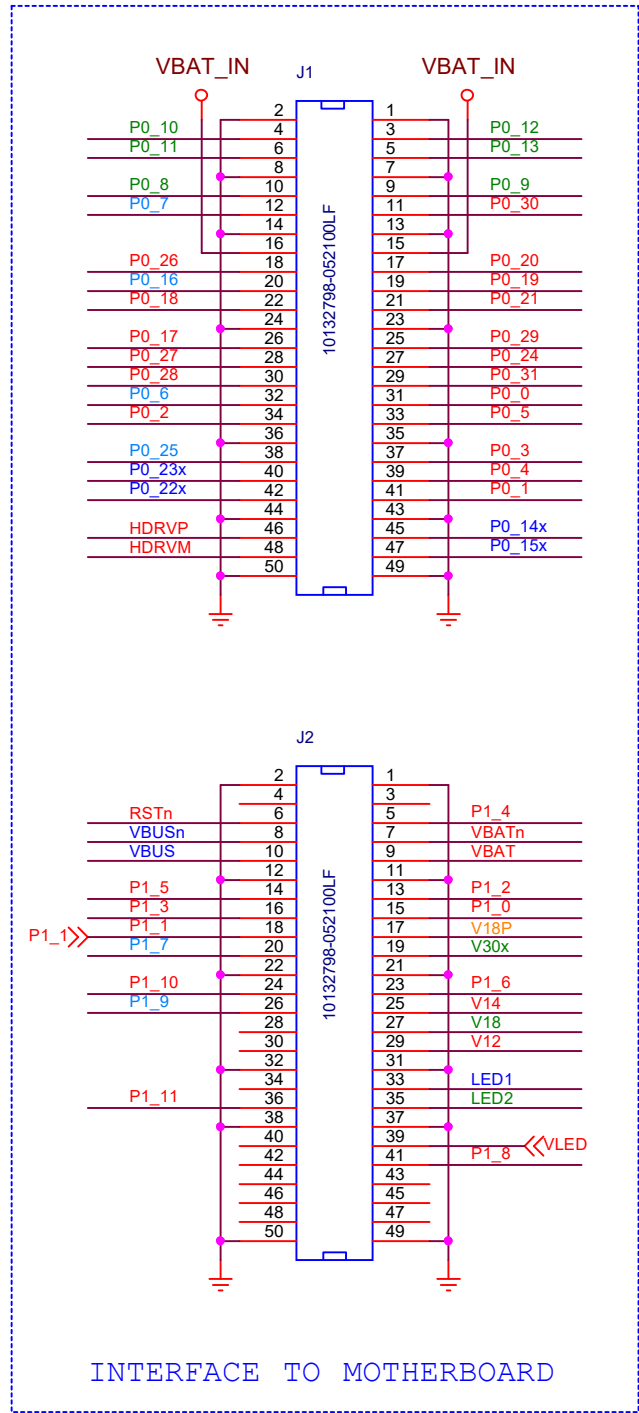
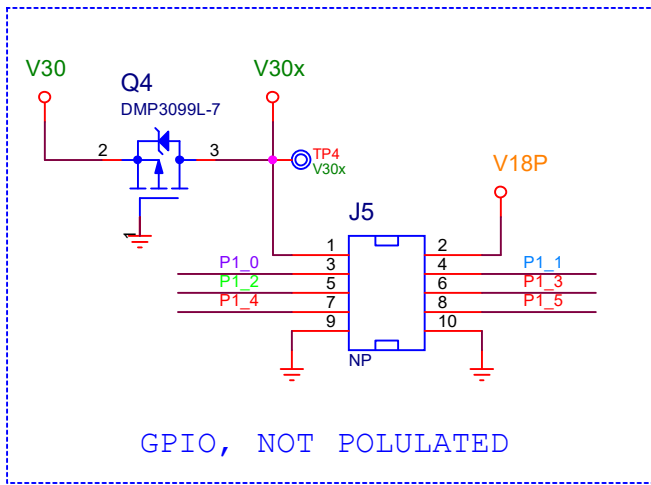


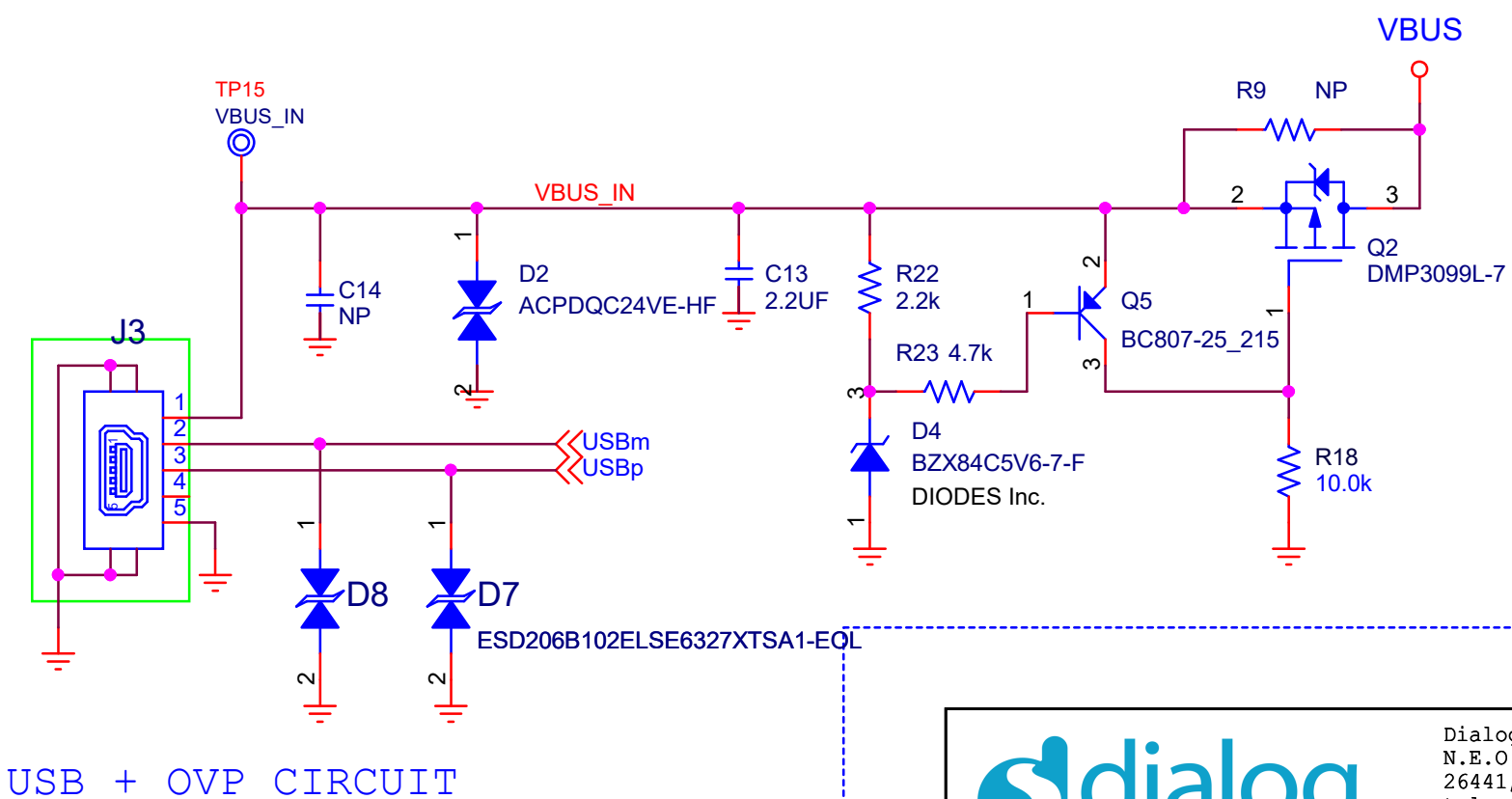
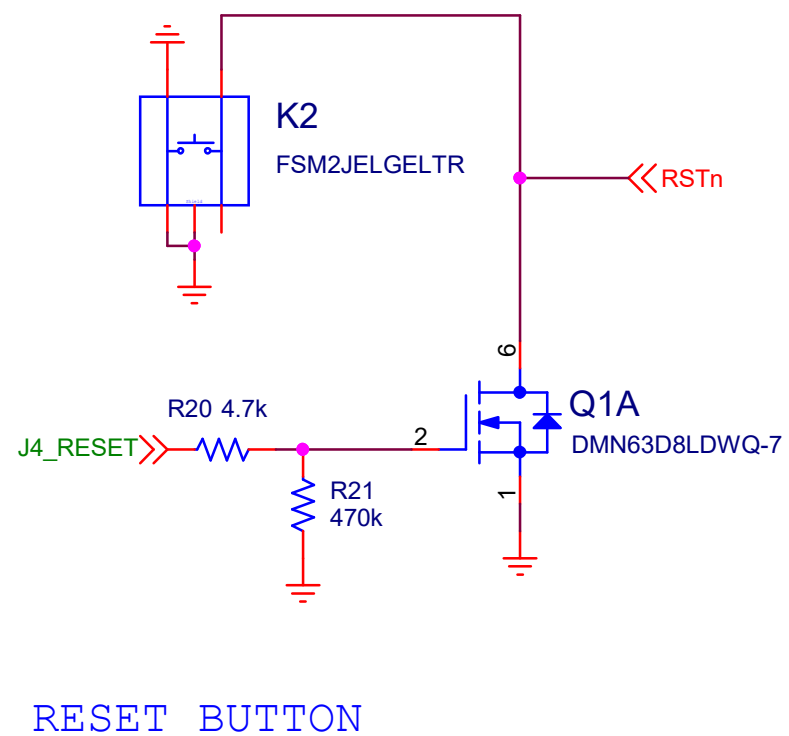
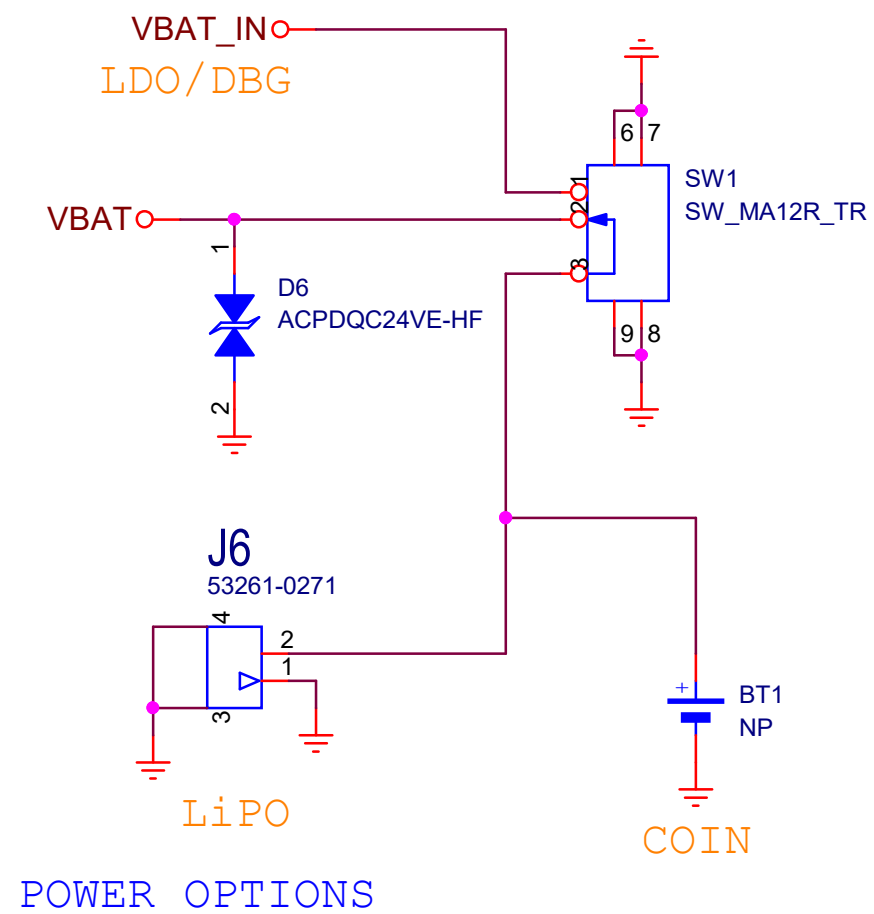
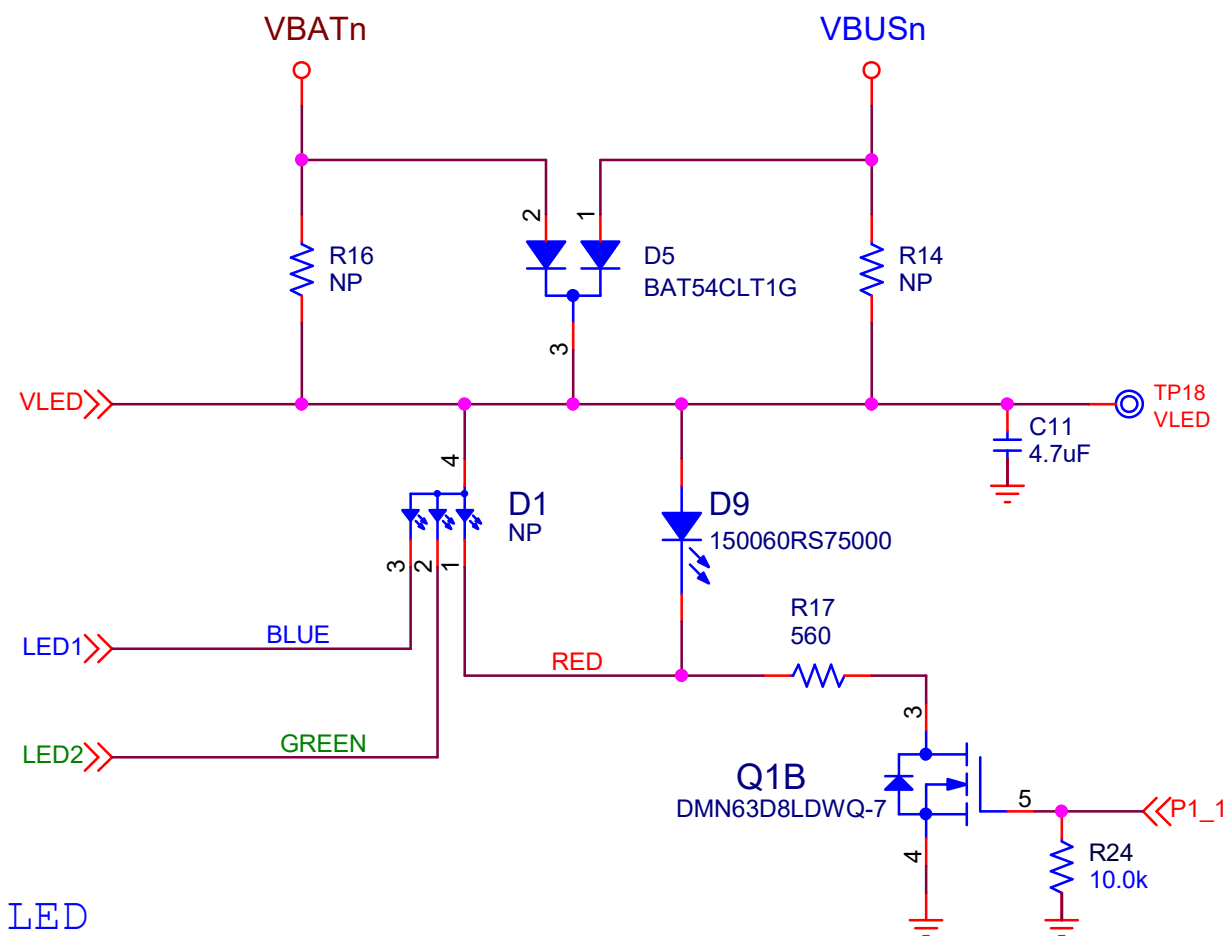
Dialog Semiconductor  
N.E.O. Patron-Athinon 15  
26441, Patras, Greece  
tel. (+30) 2610390940  
fax. (+30) 2610390941

Title : DA1469x devkt-pro daughterboard (VFBGA86)

Doc. Nr. 331-19-D Designer: PR Rev:D

Date: Tuesday, December 11, 2018 Sheet: 1 of 3





Dialog Semiconductor  
N.E.O. Patron-Athinon 15  
26441, Patras, Greece  
tel. (+30) 2610390940  
fax. (+30) 2610390941

Title : DA1469x devkt-pro daughterboard (VFBGA86)

Doc. Nr. 331-19-D	Designer: PR	Rev:D
Date: Tuesday, December 11, 2018	Sheet: 3 of 3	