

# D2798 Devkit-Pro Daughterboard

Design Name	da1470x-db-vfbga142
Ref. Number	500-06-B
Version	B1.2
Date	12/Apr/2022
Designer	Panos Raftopoulos

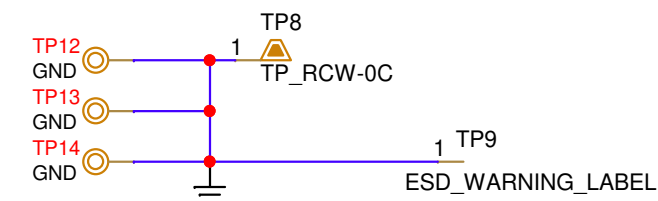
History Table		
Version	Date	Comments
A0.1	13/Aug/2020	Release for internal review
A0.2	01/Sep/2020	Release for internal review
A0.3	09/Sep/2020	Updated DA1470x symbol to the final pinout (3/9/2020) Added V30 overcurrent protection circuit Changed C1,C2 to 47uF Added C21,C22,C23 Release for review
A0.4	21/Sep/2020	Release for review
A1.0	20/Oct/2020	Added PGA connections to VAD circuit Changed flash package option (U2x --> WSON8 6x5mm) Re-assigned software trigger GPIO from P0_10 to P0_06 (J1.24) Released for manufacturing
A2.0	04/Nov/2020	BOM modification: • Changed manufacturing part number of U2 to MX66UM1G45GXDI00
A2.1	04/Nov/2020	BOM modification: • Use alternate flash option (U2 --> NP, U2x --> W25Q64JWZPIM)
A2.2	04/Dec/2020	BOM modification: R1, R2 : Not populated Y2: populate
A2.3	10/Dec/2020	BOM modification: • Use original flash option (U2x --> NP, U2 --> MX66UM1G45GXDI00)
B1.0	11/Dec/2020 25/Jan/2021 12/Feb/2021 06/Apr/2021 16/Jun/2021 14/Jul/2021  06/Aug/2021 09/Aug/2021 17/Sep/2021	Changed connection for UART RX to P2_01 (J1.64) Increased values of C6 to 47uF, C14 to 2.2uF Option for shorting V18p/V18F (R22) Added testpoints for ESD testing (TP6,TP19) Changed U3 to NCP367DPMUCTBG (higher current limit) Changed U1 part number to DA14706 and added note for the not connected MIPI interface signals Added NP resistor (R25) for board id Changed C15,C16,C25,C26 to GMK105ABJ105KV-F (35V) Changed U2 to not-populated Changed U2x part number to MX25U6432FZNI02
B1.1	11/Nov/2021	Changed Y2 part number to ABS07-32.768KHZ-7-T Changed R34,R35,R36,R37 from NP to 0 ohm Changed R19,R20 from 0 ohm to NP Changed D1 part number to CLY6D-FKC-CK1N1D1BB7D3D3 Renamed net VLDO to VBLDO Released for manufacturing
B1.2	12/Apr/2022	Renamed references to MIPI signals as "NUxx"

Configuration note

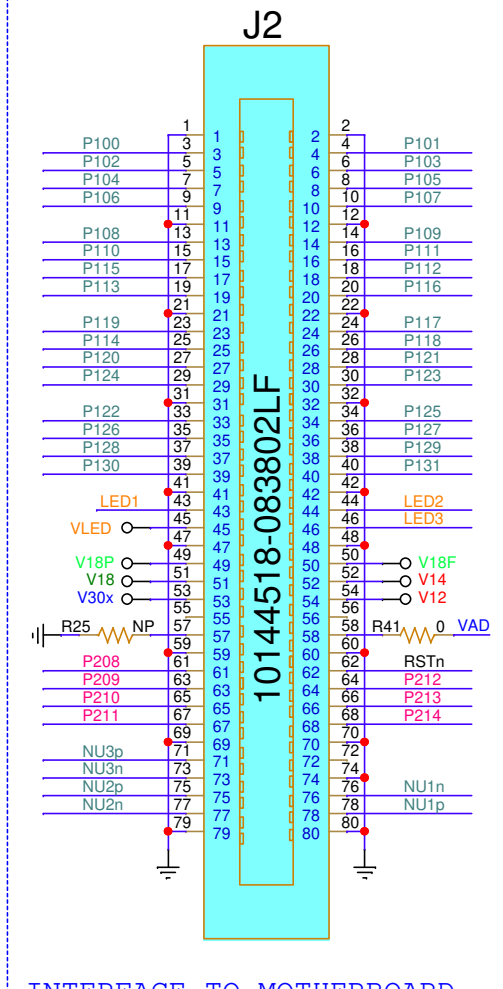
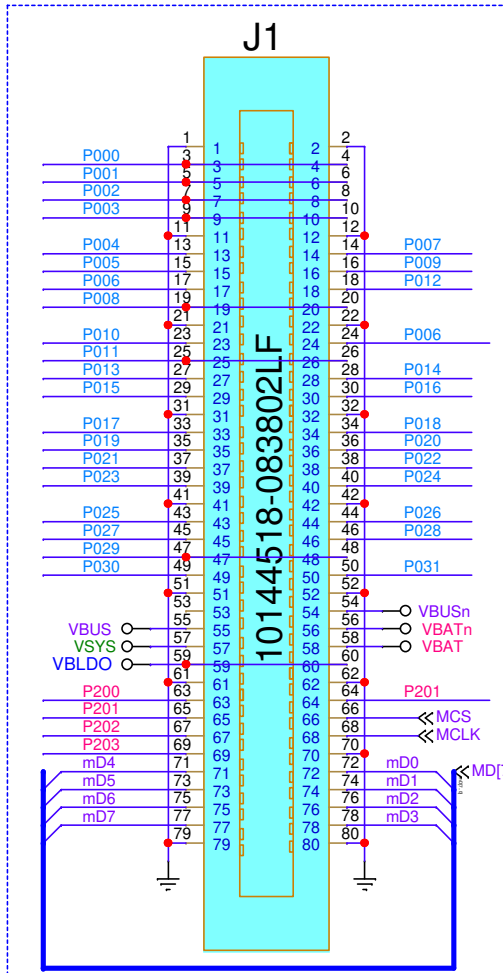
NOTE box

Changes in this Version.

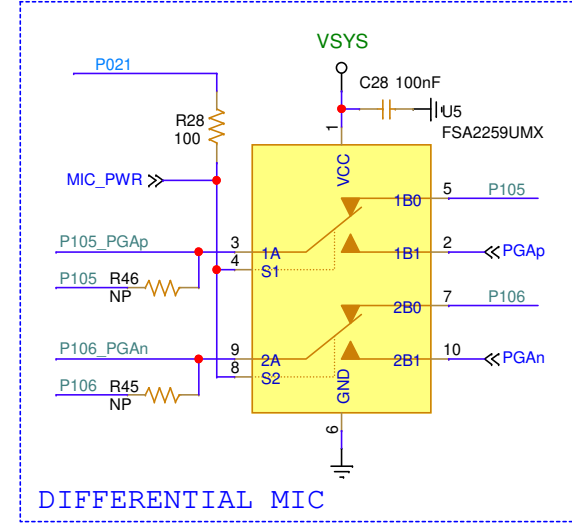
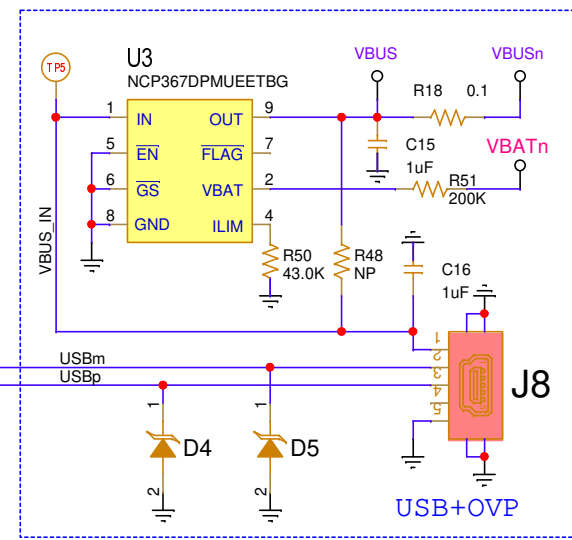
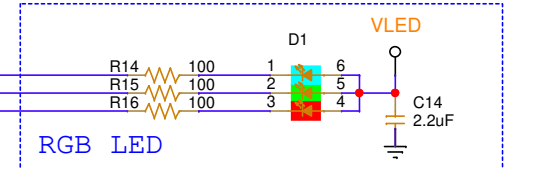
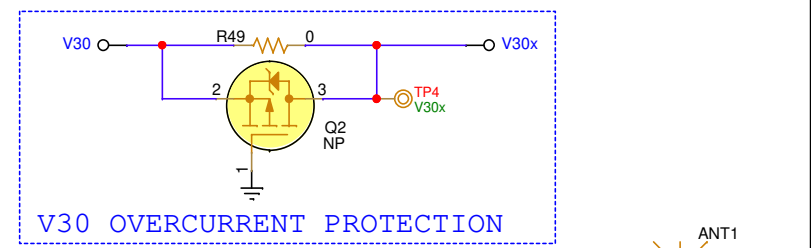
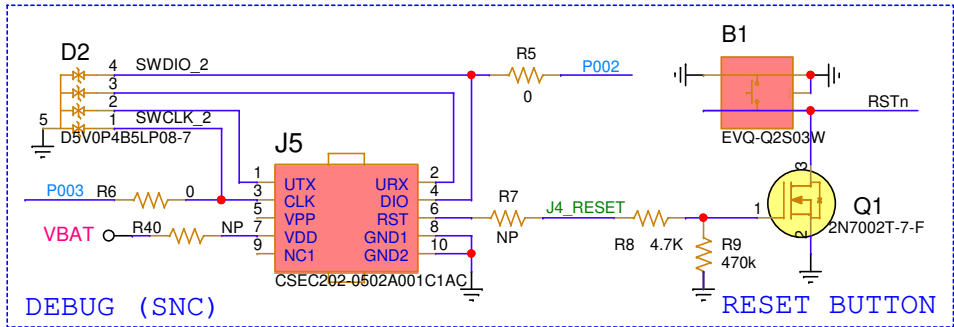
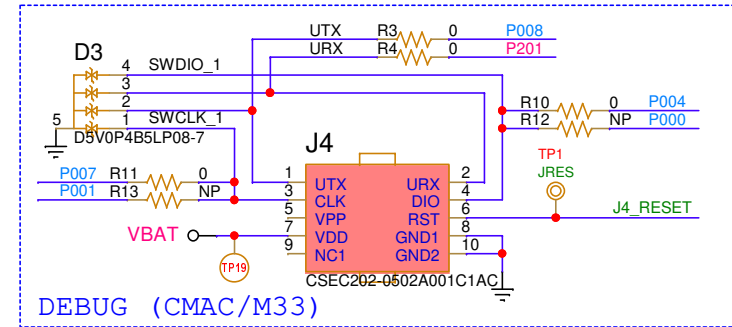
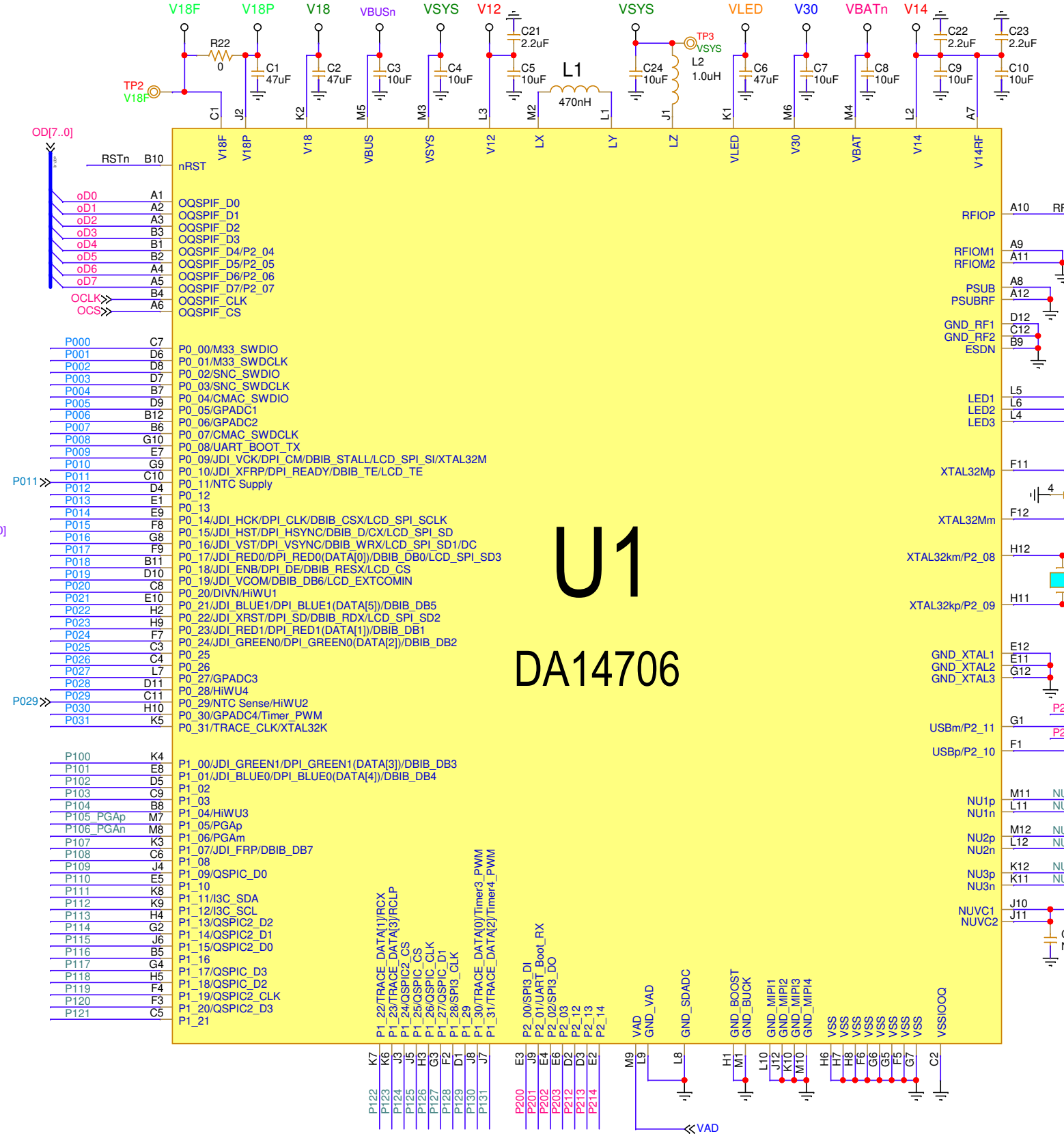
- TP10 FIDUCIAL
- TP16 FIDUCIAL
- TP11 FIDUCIAL
- TP17 FIDUCIAL
- TP15 FIDUCIAL
- TP18 FIDUCIAL

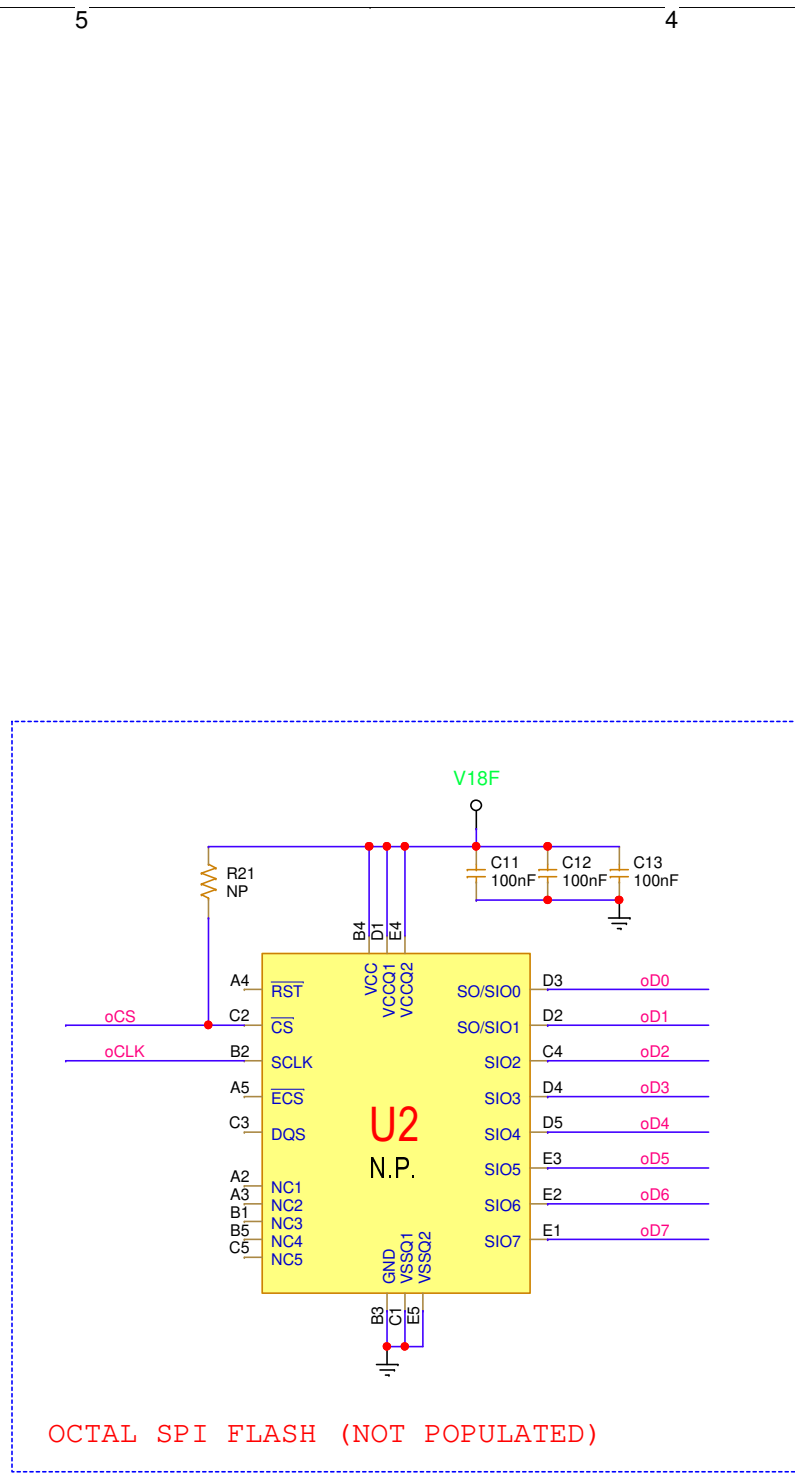


Renesas Electronics  
N.E.O. Patron-Athinon 15  
26441, Patra, Greece  
tel. (+30) 2610390940  
fax. (+30) 2610390941

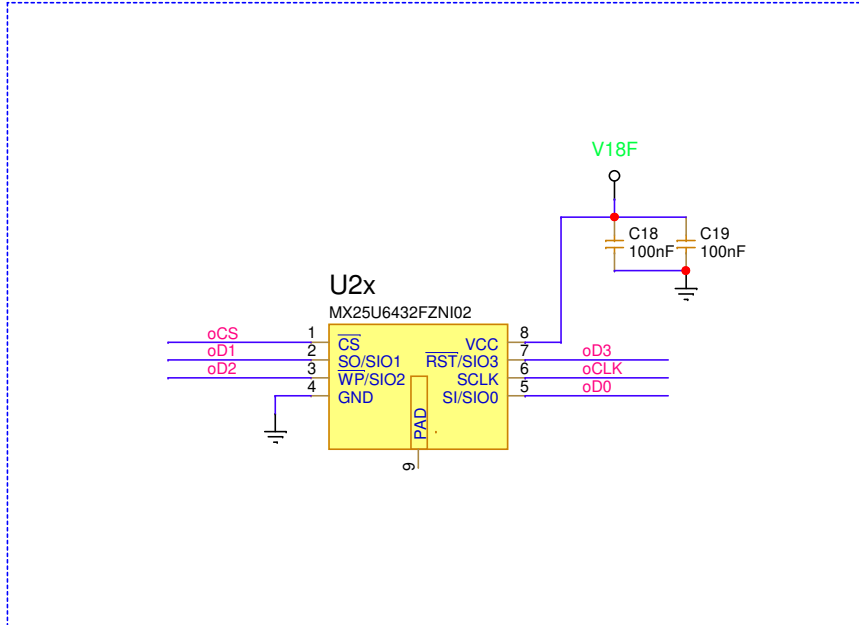


INTERFACE TO MOTHERBOARD

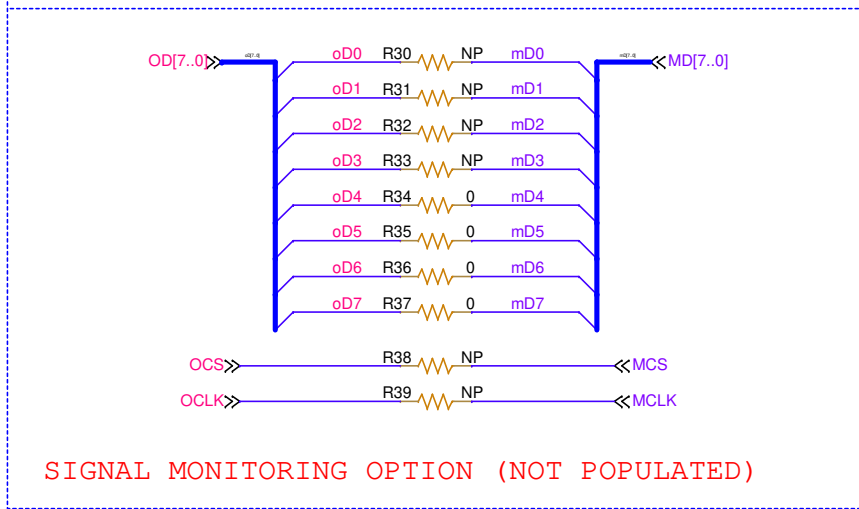




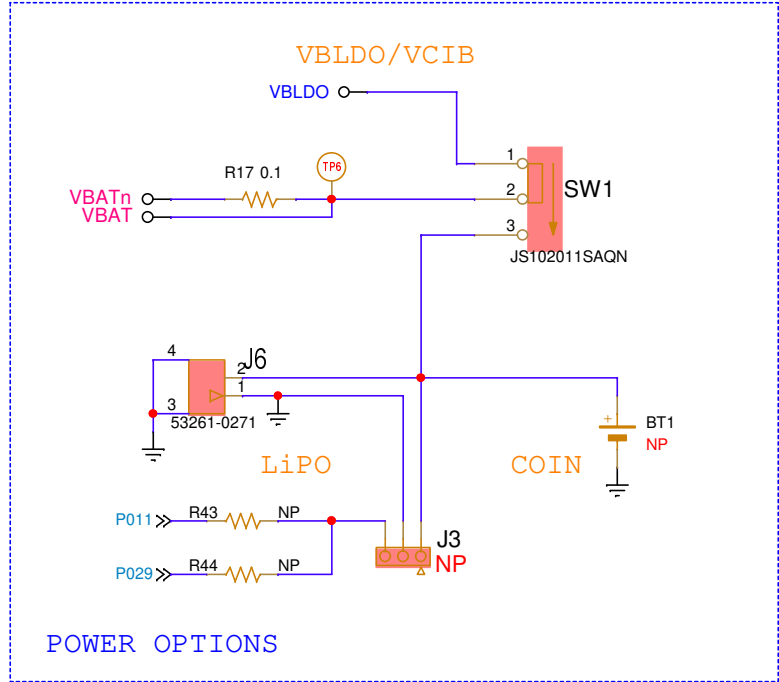
OCTAL SPI FLASH (NOT POPULATED)



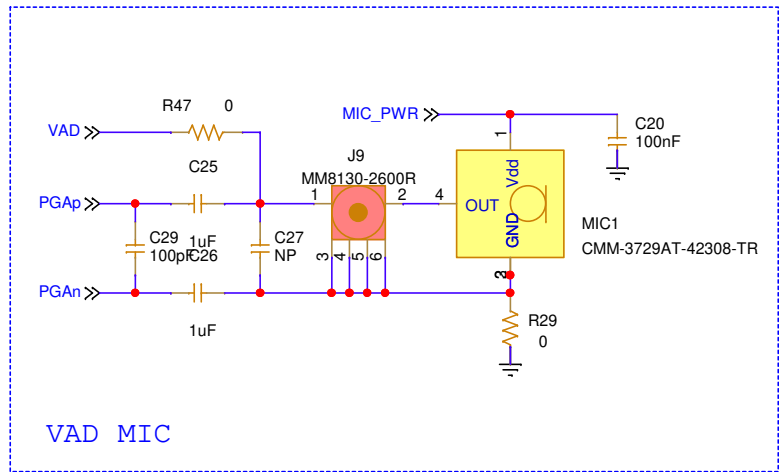
QSPI FLASH



SIGNAL MONITORING OPTION (NOT POPULATED)



POWER OPTIONS



VAD MIC



Renesas Electronics  
N.E.O. Patron-Athinon 15  
26441, Patra, Greece  
tel. (+30) 2610390940  
fax. (+30) 2610390941