

A

B

C

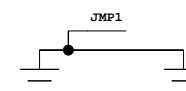
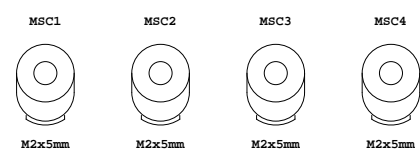
D

E

F

REVISION TABLE

REV.	DATE	ENGINEER	NOTES
A	22/03/2018	AF	Release version
B	16/02/2022		Rebranded to Renesas

MECHANICAL PARTS

SCHEMATIC TEMPLATE REV.xdxd_V7 (01-06-2017)

DESIGNED BY:
Allan Fisher
Harald Bernrader-Hauns

REVIEWED BY:
AF, GC
SO, HT, NU, KY, KH

SAVED DATE:
REVIEWED DATE:
16/02/2022

SIZE
A3L

TITLE: DA9070 / 73 demo board
VARIANT: Master Sch no Var defined
320-30-A1

DRAWING No:
SHEET NAME:
1

PAGE: 1 of 3

A

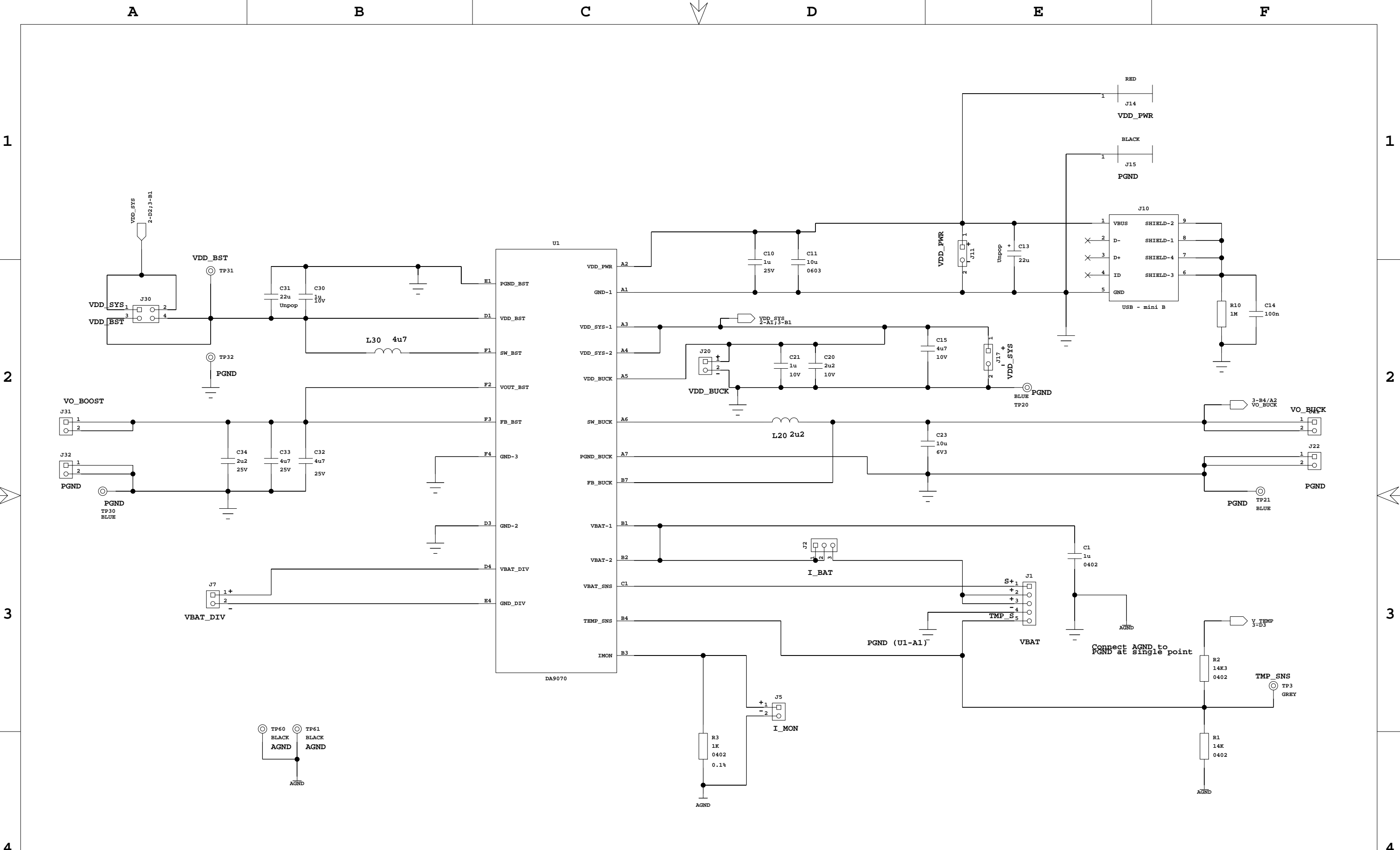
B

C

D

E

F



SCHEMATIC TEMPLATE REV.xdxd_V7 (01-06-2017)		SIZE A3L	TITLE: DA9070 / 73 demo board VARIANT: Master Sch no Var defined	
DESIGNED BY: Allan Fisher Harald Bernrader-Hauns	SAVED DATE:	320-30-A1		
REVIEWED BY: AF, GC SO, HT, NU, KY, KH	REVIEWED DATE: 16/02/2022	DRAWING No:	SHEET NAME: Power	PAGE: 2 of 3

A

B

C

D

E

F

1

1

2

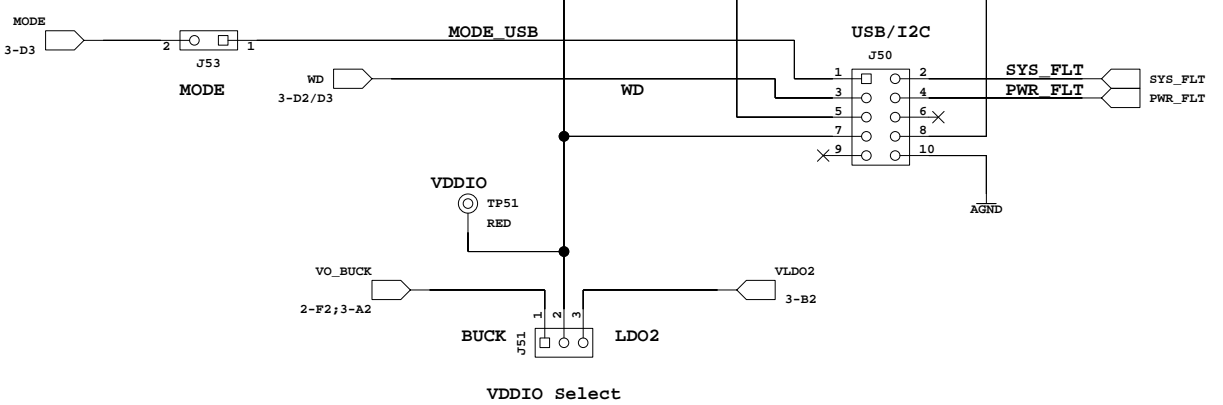
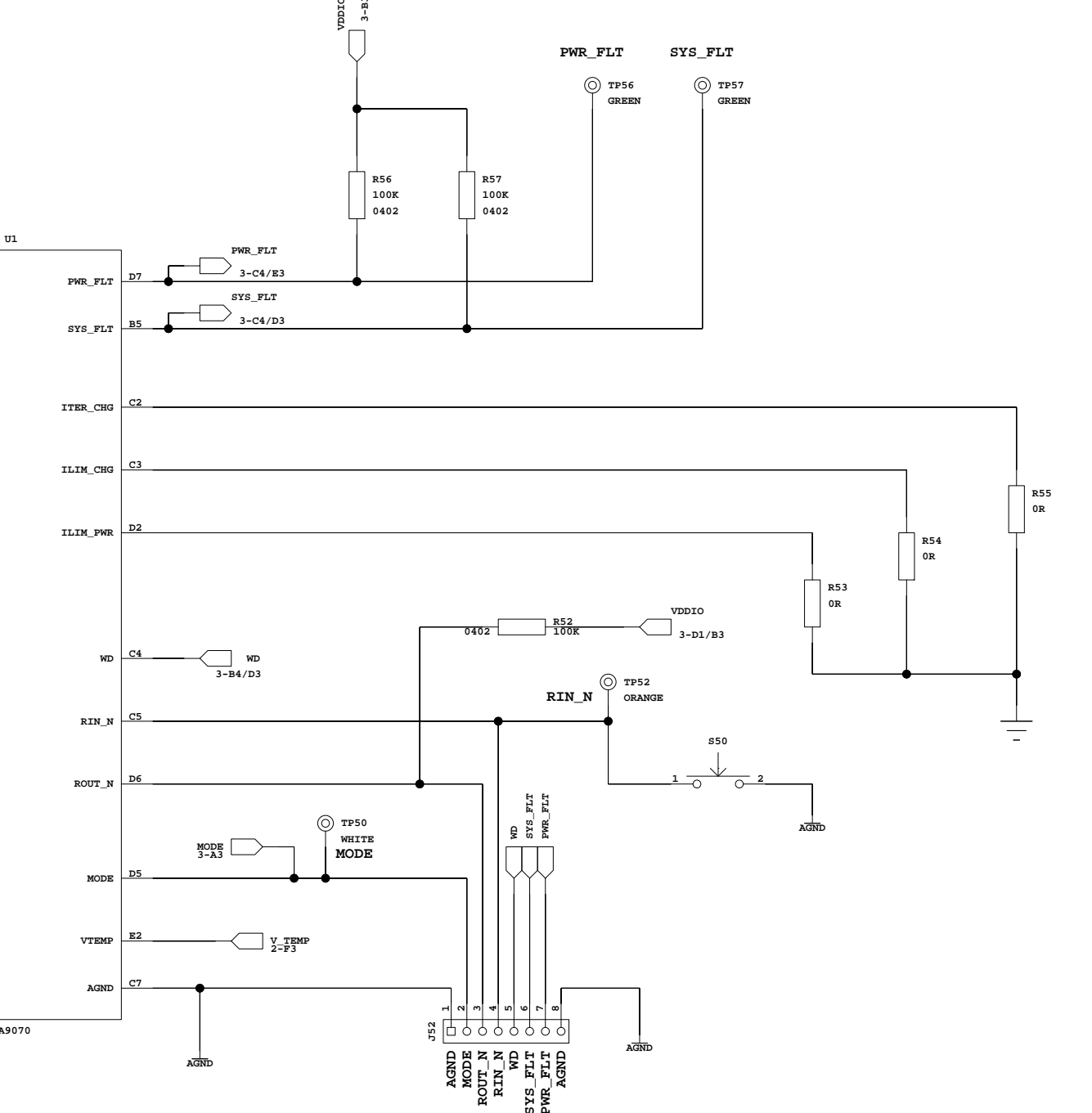
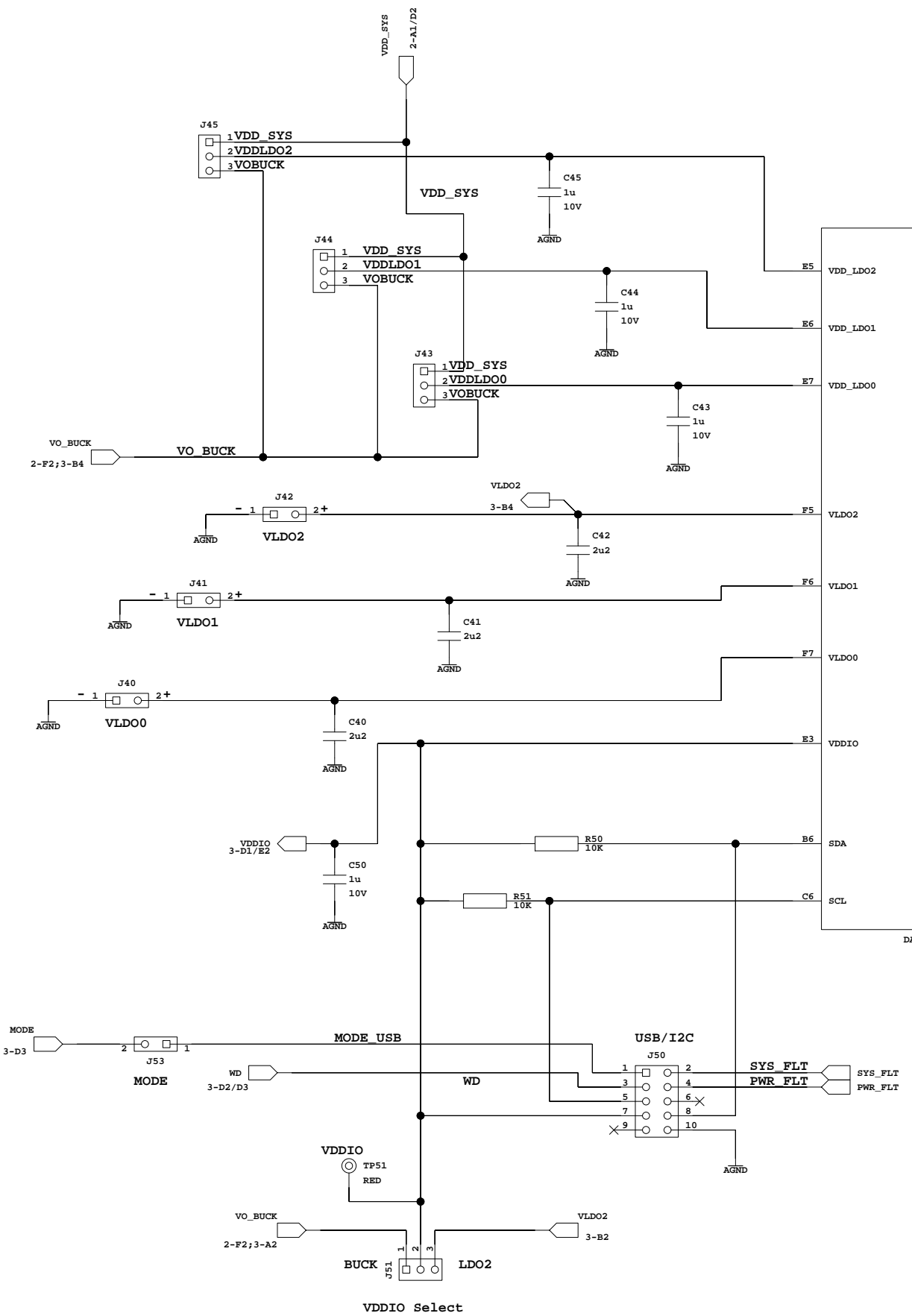
2

3

3

4

4



SCHEMATIC TEMPLATE REV.XDXD_V7 (01-06-2017)

DESIGNED BY:
Allan Fisher
Harald Bernrader-Hauns

REVIEWED BY:
AF, GC
SO, HT, NU, KY, KH

SAVED DATE:

REVIEWED DATE:
16/02/2022

SIZE
A3L

TITLE: DA9070 / 73 demo board
VARIANT: Master Sch no Var defined
320-30-A1

DRAWING No:
SHEET NAME:
LDOS

RENESAS

PAGE: 3 of 3

A

B

C

D

E

F