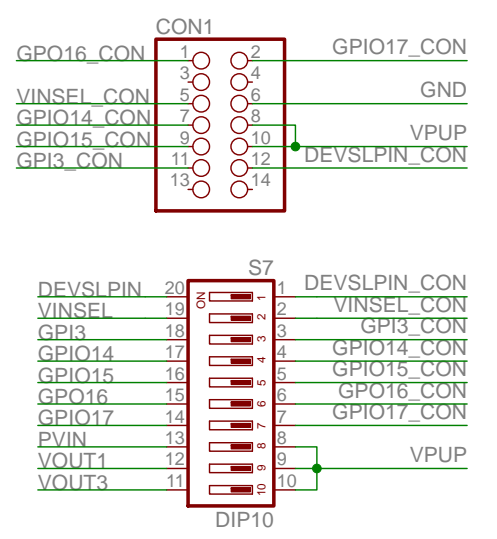
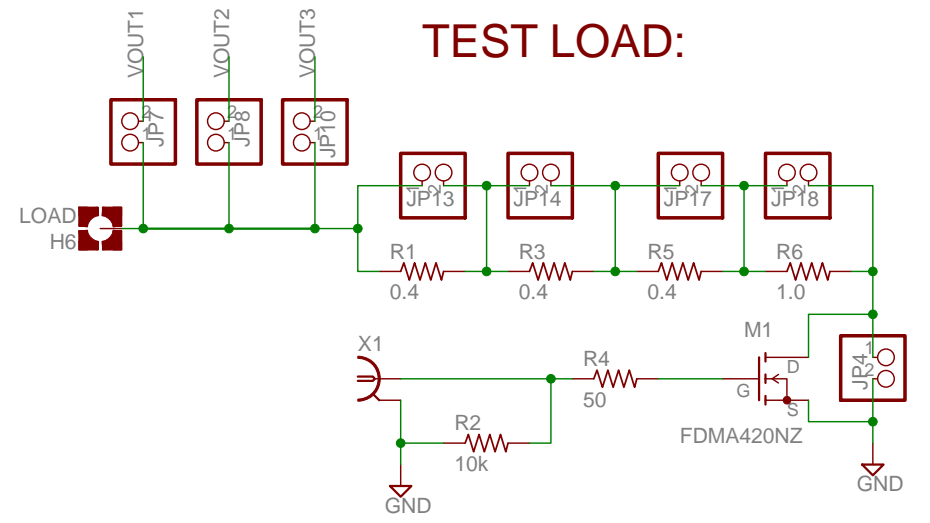


DONGLE INTERFACE:

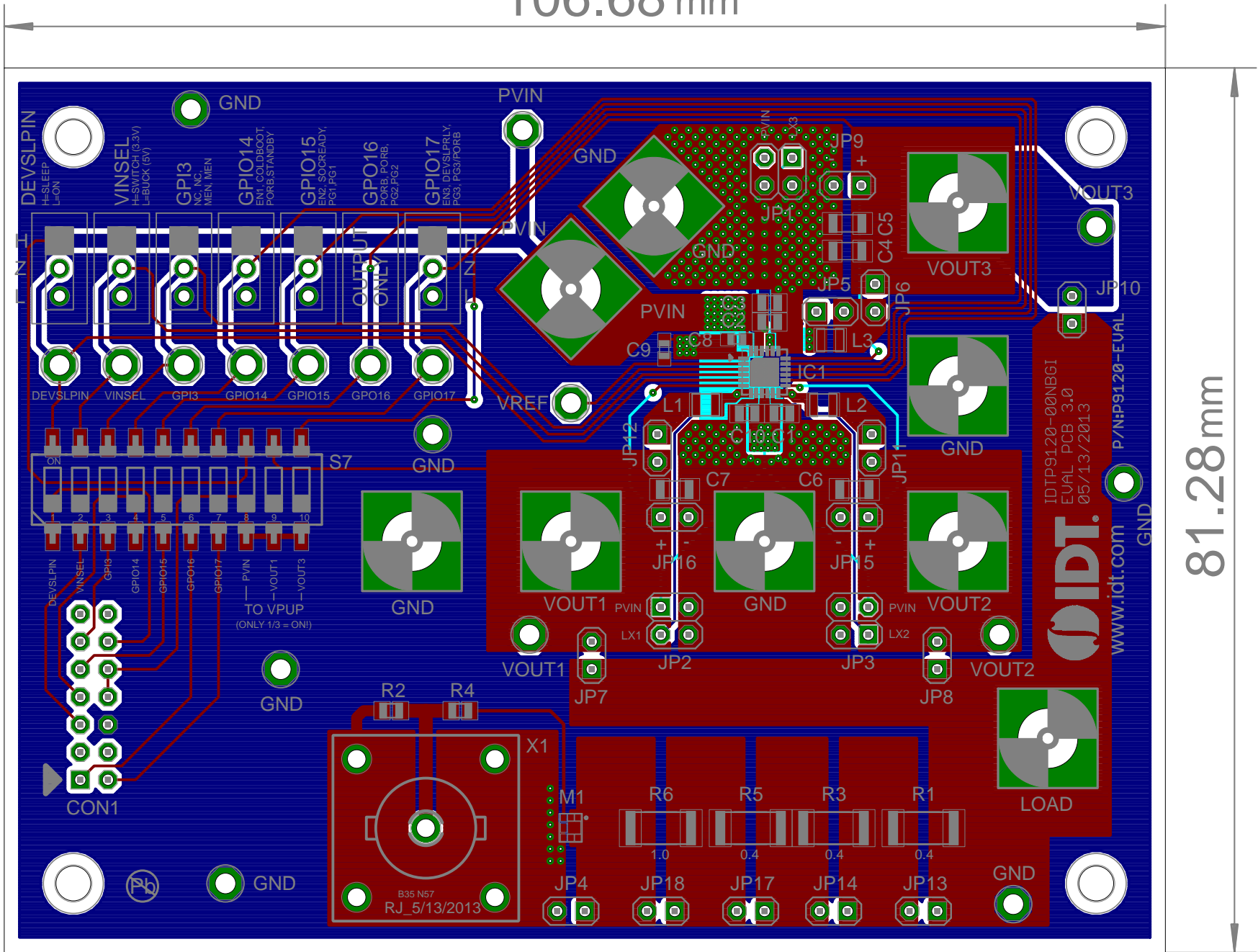


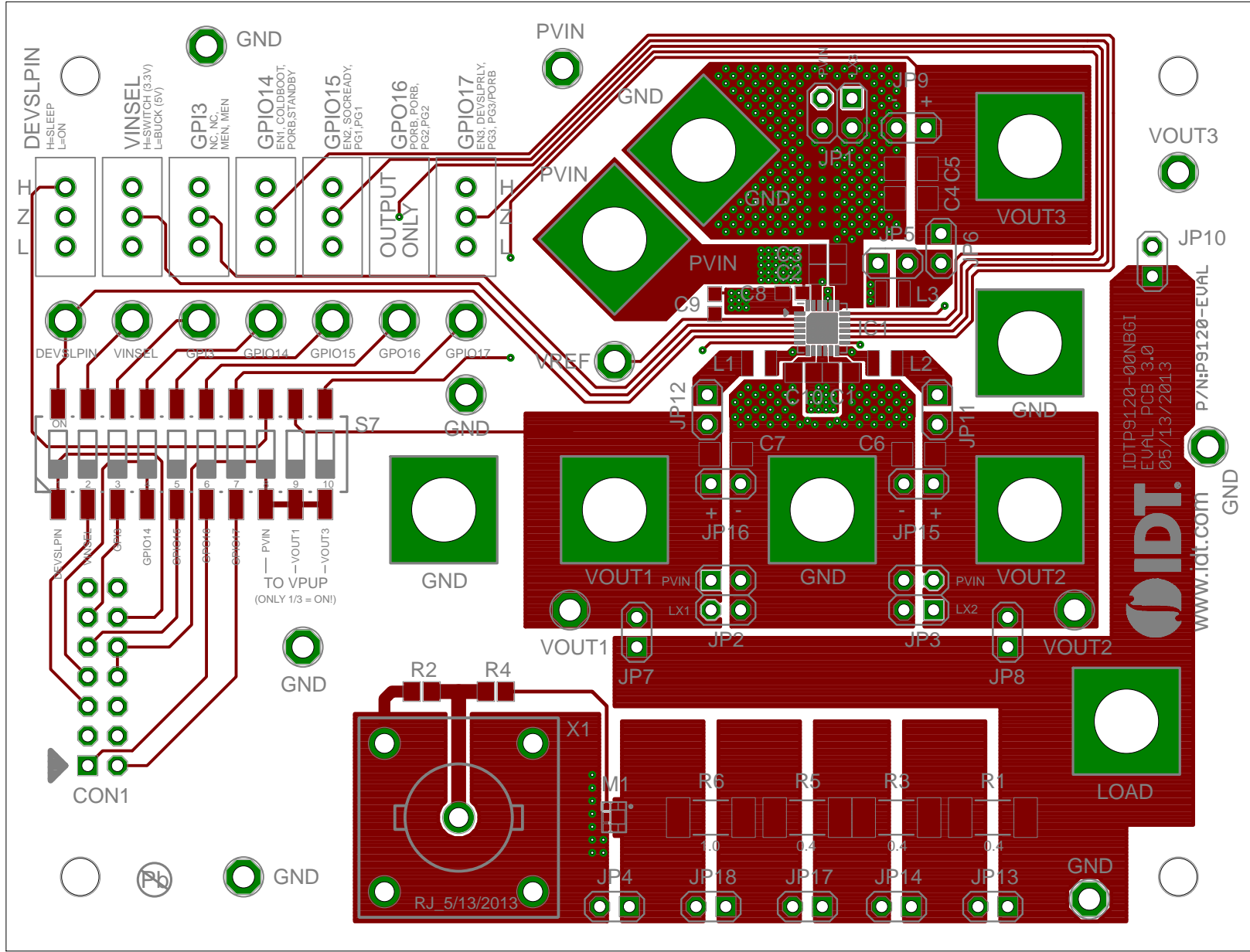
TEST LOAD:

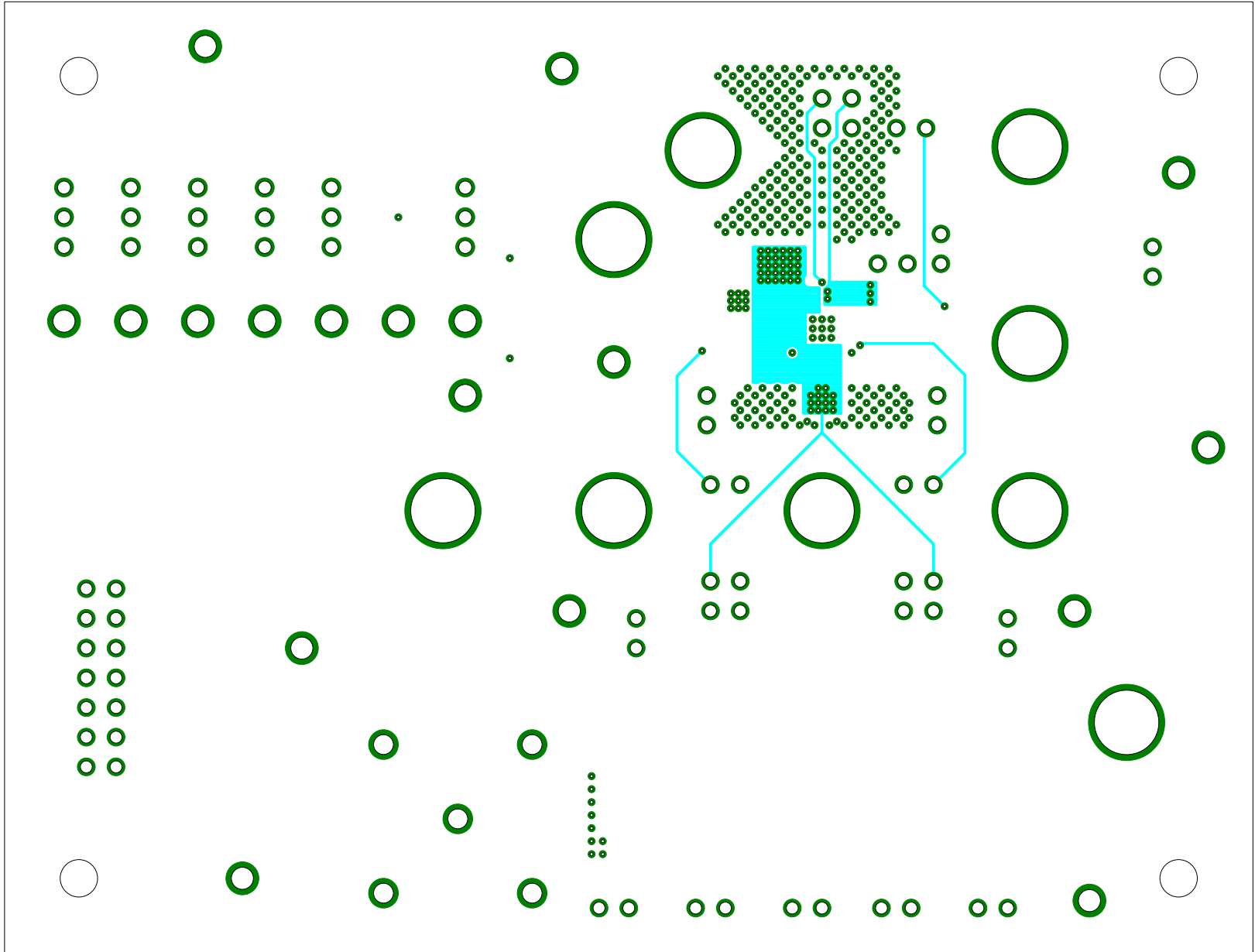


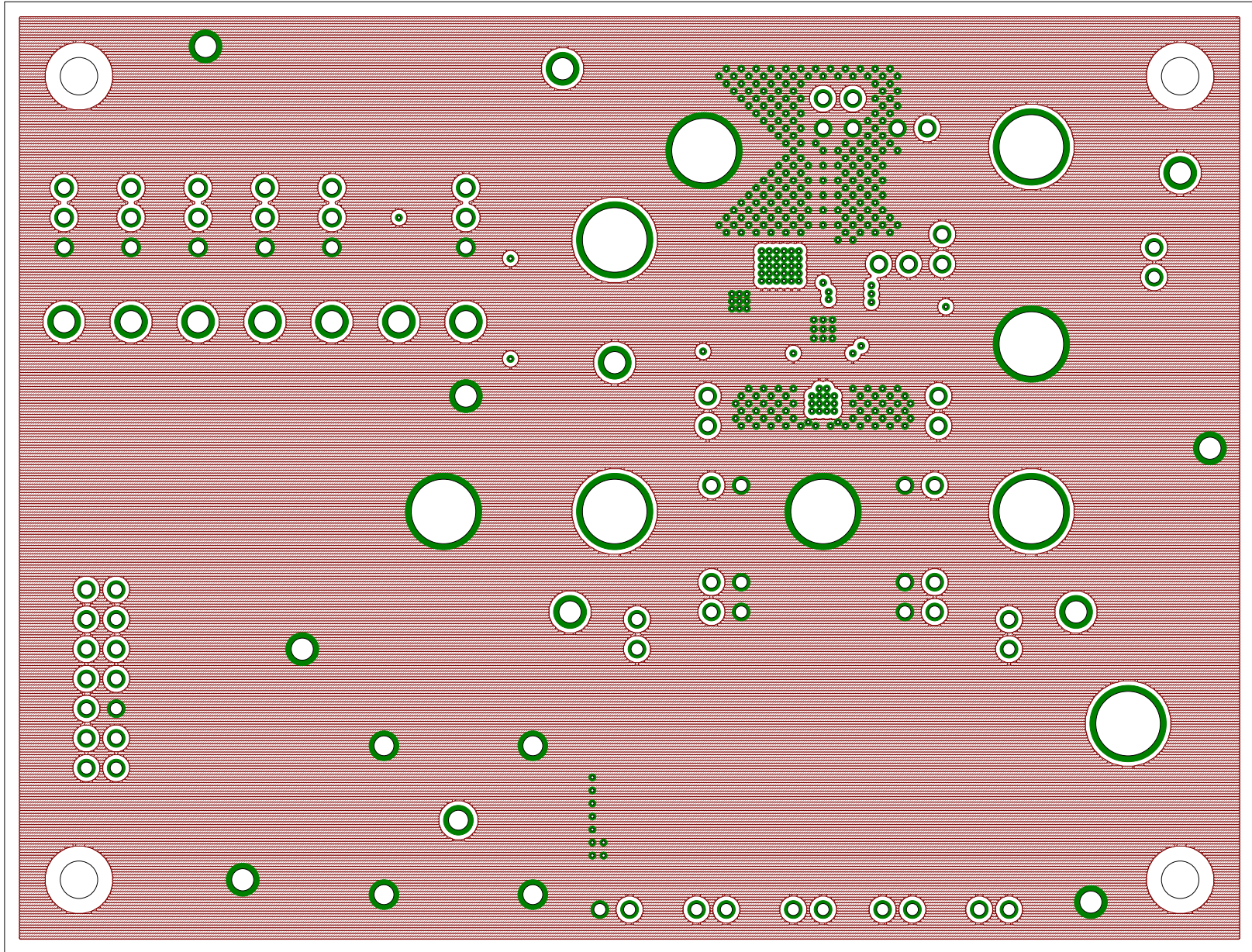
106.68 mm

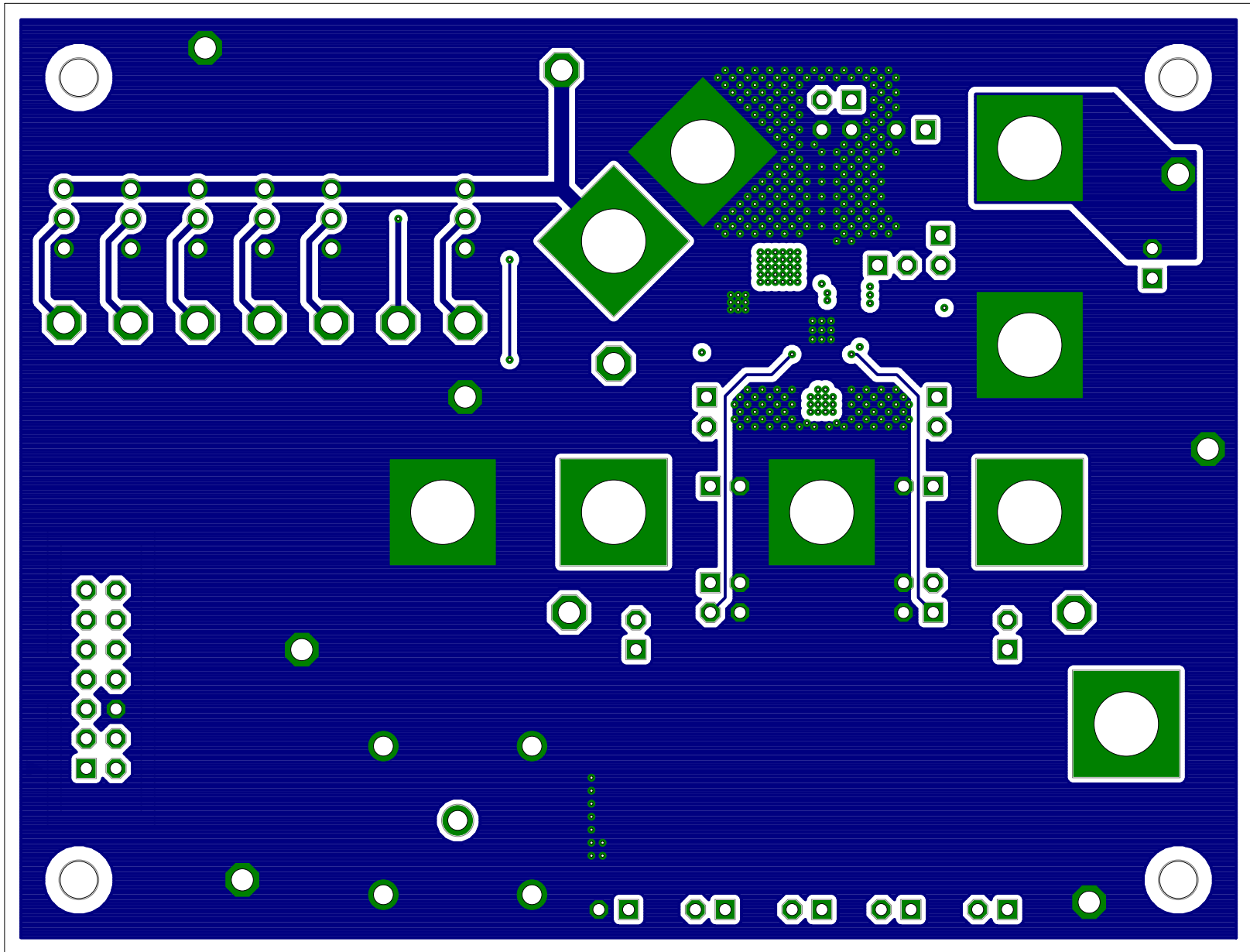
81.28 mm











P9120-Stingray_EVAL_V3 COMPONENT LIST:

#	Description	Package	Manufacturer Part Number
CON1	Male Shrouded Pin Header	2X7 2.54mm MALE	SBH11-PBPC-D07-ST-BK
JP1-3	Pin Header	2X2 2.54mm	67997-404HLF
JP4-18	Pin Header	2X1 2.54mm	68000-102HLF
H1-9	Banana Jack Header	Jack .35"	575-8K-ND
TP1-6	Test Point (Black)	1.60mm	5011K-ND
TP7-8	Test Point (Red)	1.60mm	5010K-ND
TP9-15	Test Point (Green)	1.60mm	5126K-ND
TP16-18	Test Point (Red)	1.60mm	5010K-ND
X1	BNC 50 Ohm Jack	PCB STR	5227699-1
IC1	IDTP9120-00NBGI	4X4QFN	IDT
M1	MOSFET MICROFET	6-WDFN	FDMA420NZ
L1	1uH	2520/1008	TOKO 1239AS-H-1R0M
L2	1uH	2520/1008	TOKO 1239AS-H-1R0M
L3	1uH	2520/1008	TOKO 1239AS-H-1R0M
C1-3,C10	10uF, 10v, X7R	0805/2012	C0805C106K8RACTU
C4-7	10uF, 6.3v, X7R	1206/3216	C1206C106K9RACTU
C8-9	2.2uF, 10v, X7R	0603/1608	06036C225KAT2A
R1,R3,R5	0.4 ohm	6332/2512	CSRN2512FKR400
R2	10k ohm	1608/0603	RNCP0805FTD10K0
R4	50 ohm	1608/0603	RNCP0805FTD49R9
R6	1 ohm	6332/2512	RHC2512FT1R00
S1-6	Switch SPDT (on-off-on)	Series 48B-M2	Grayhill-48BFSP3M2xx
S7	SWITCH 10 POS SMD	219 SMT DIP Series	CT21910LPST-ND