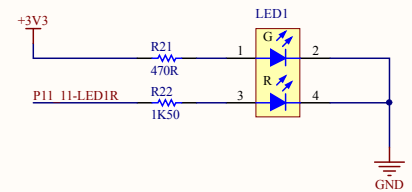
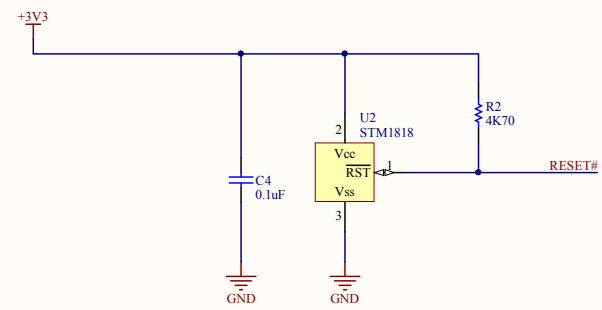
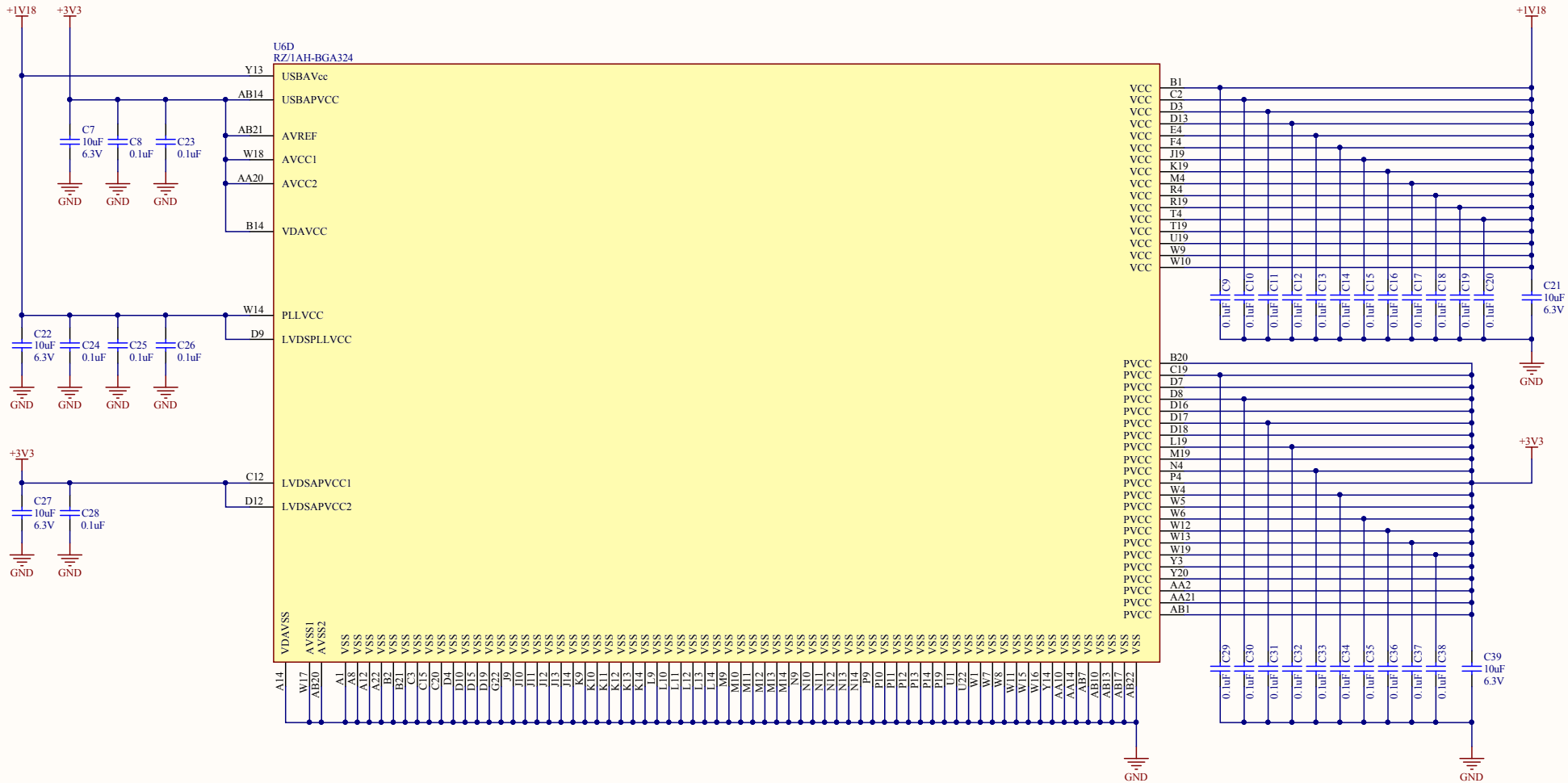


Program for Mode 2
 Vout1 = 1.1750V
 Vout2 = 3.3000V
 Buck1->4ms->Buck2 sequence
 PORB = PG1 & PG2





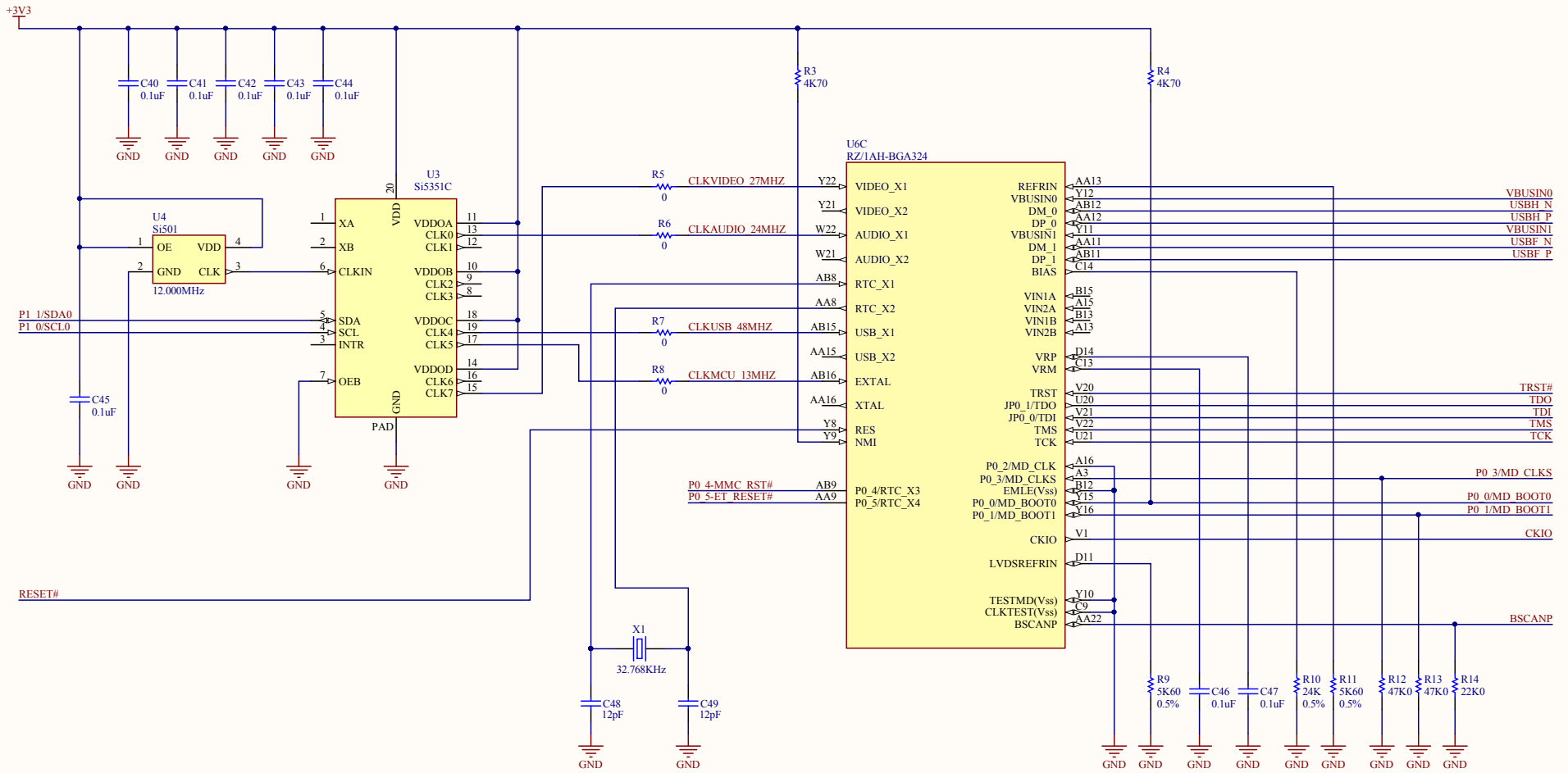
Renesas RZ Module 100
MCU Power block

Author: TM & JMA
Date: 4/15/2015
File: RZM100_02-MCU1-02.SchDoc

Revision: 02
Time: 4:01:56 PM
Sheet 2 of 8

Serious Integrated, Inc.
145 s 79th Street
Chandler, AZ 85226
USA
www.seriousintegrated.com





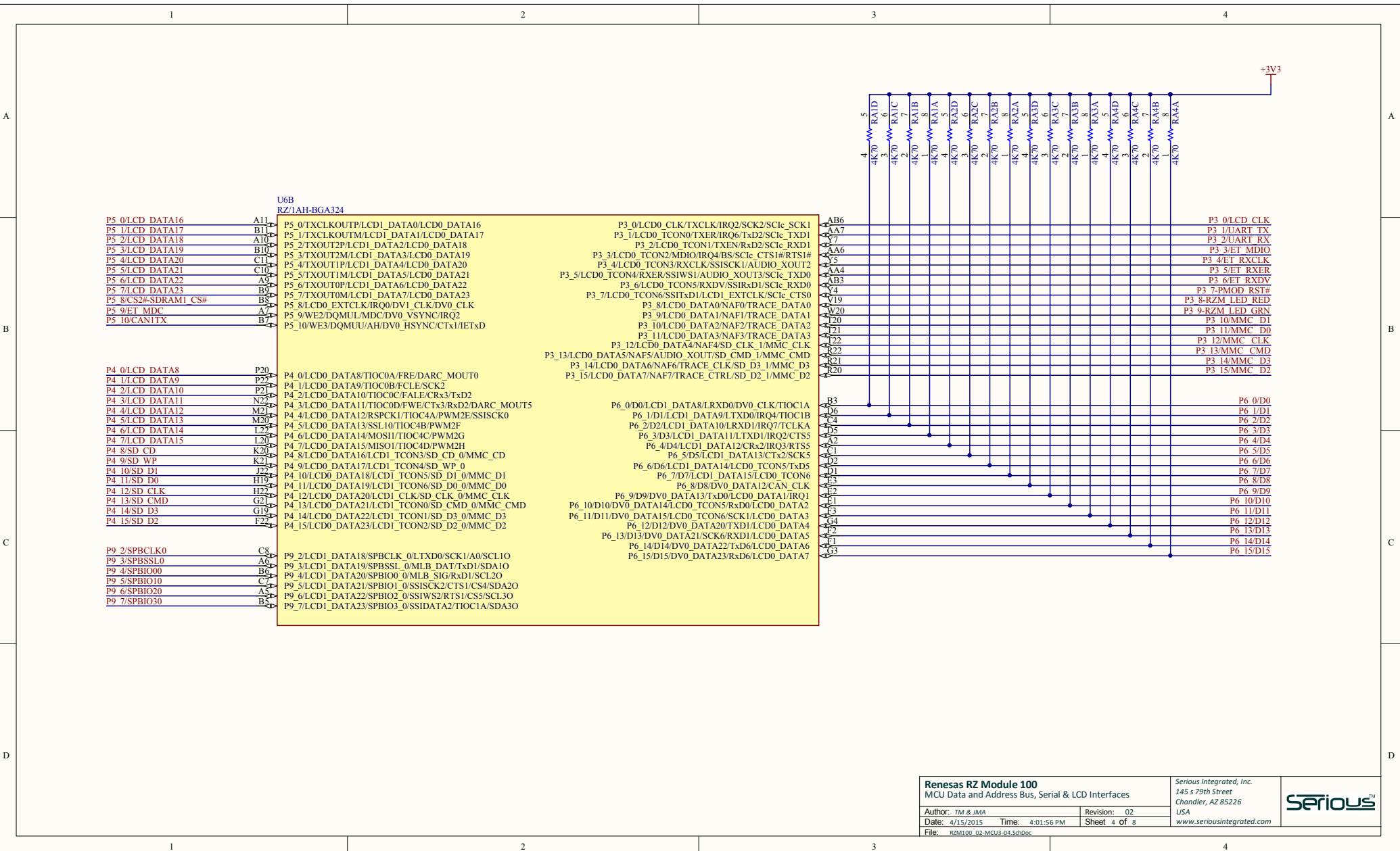
Renesas RZ Module 100
MCU Clocks & Control Signals

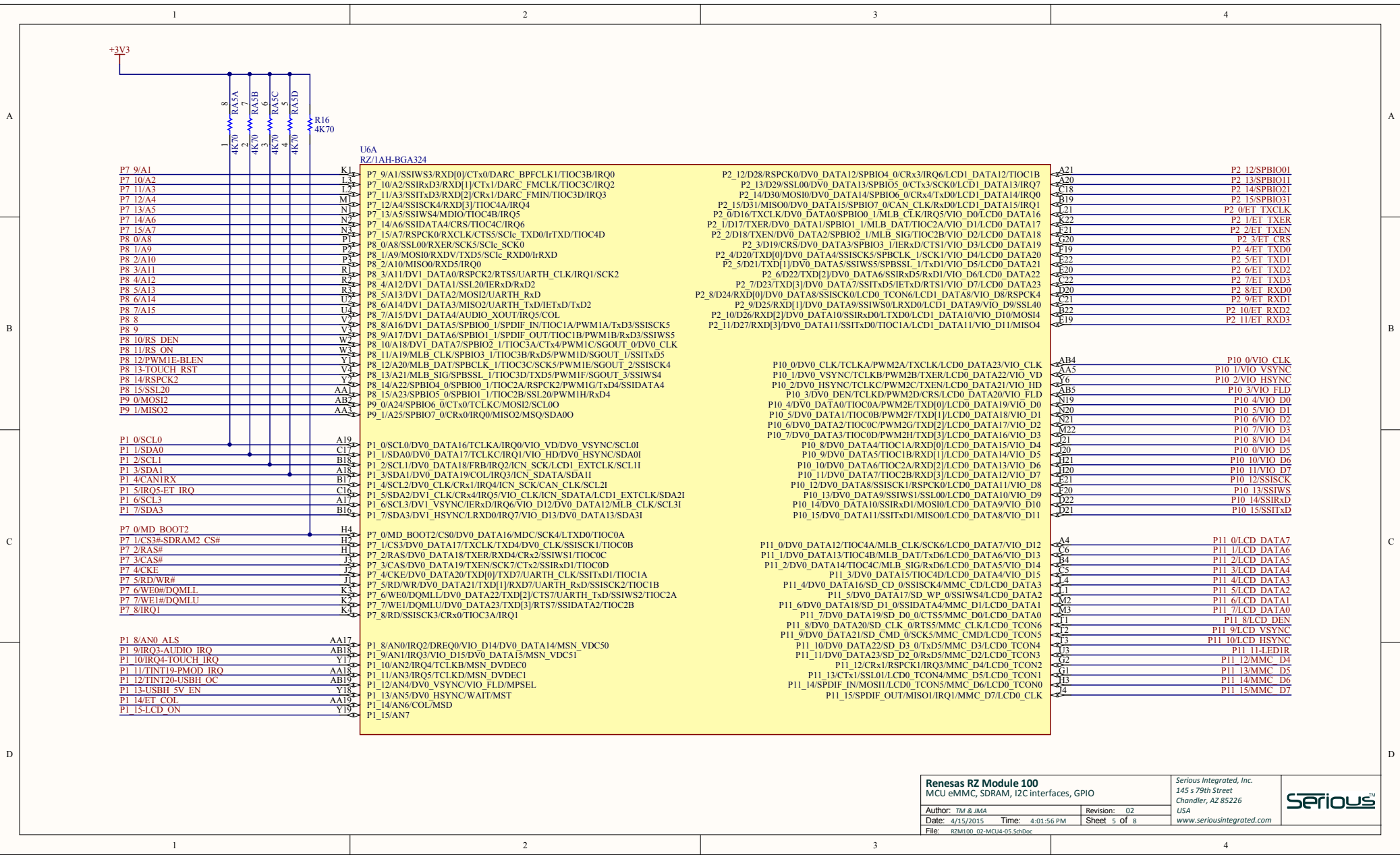
Author: TM & JMA
Date: 4/15/2015
Time: 4:01:56 PM
File: RZM100_02-MCU2-03.SchDoc

Revision: 02
Sheet 3 of 8

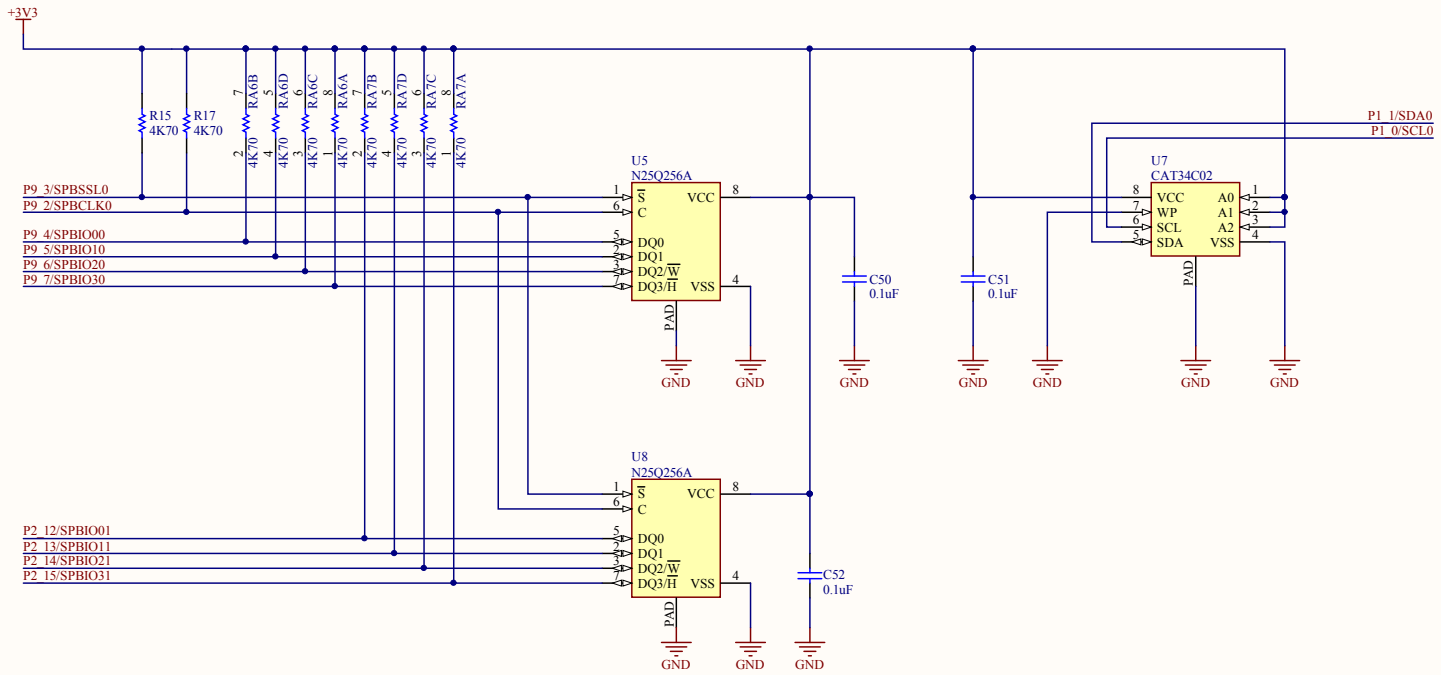
Serious Integrated, Inc.
145 s 79th Street
Chandler, AZ 85226
USA
www.seriousintegrated.com







Renesas RZ Module 100 MCU eMMC, SDRAM, I2C interfaces, GPIO		Serious Integrated, Inc. 145 s 79th Street Chandler, AZ 85226		
Author: TM & JMA	Revision: 02	USA		
Date: 4/15/2015	Time: 4:01:56 PM	www.seriousintegrated.com		
File: RZM100_02-MCU04-05-SchDoc	Sheet 5 of 8			



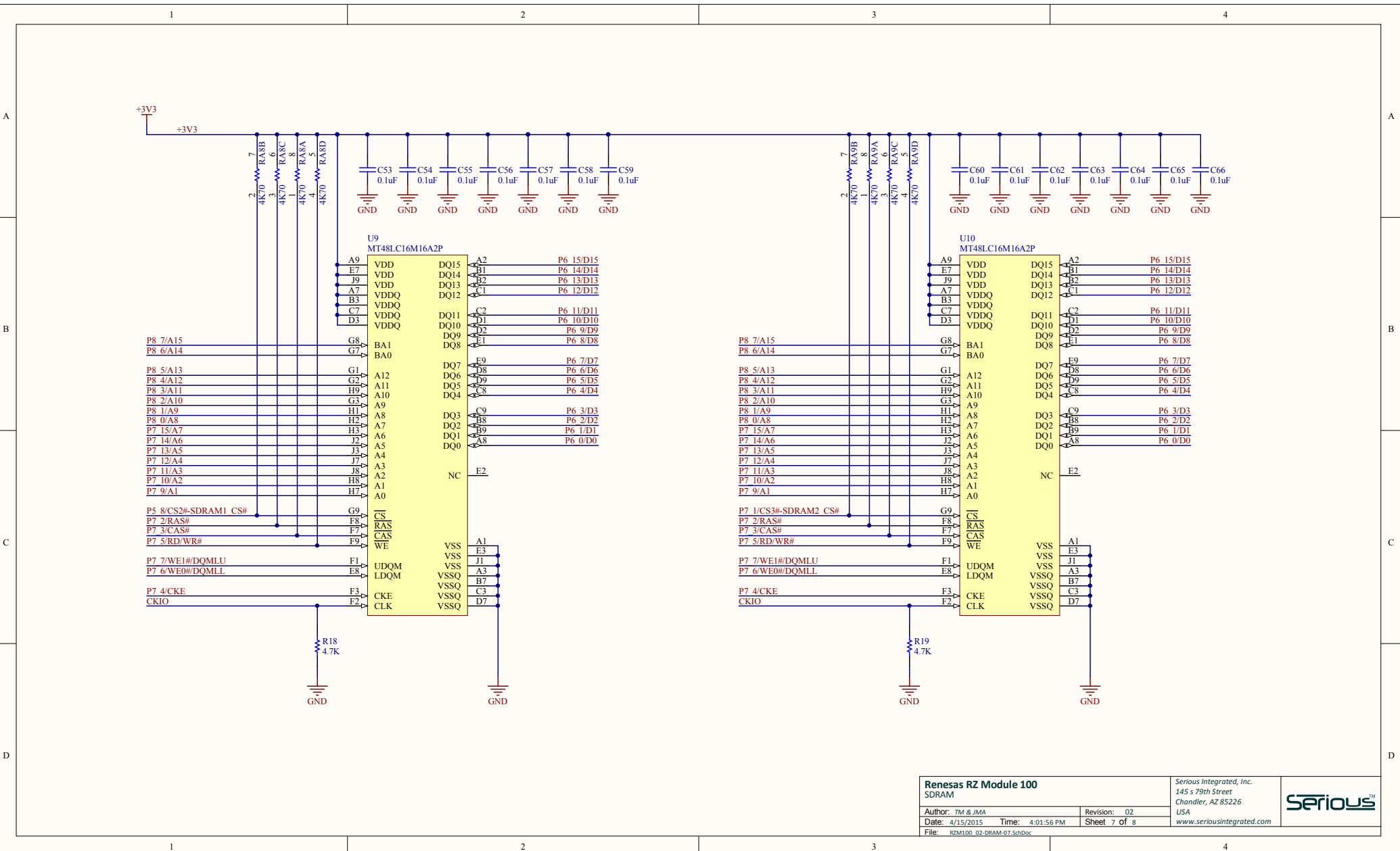
Renesas RZ Module 100
 QSPI FLASH and EEPROM

Author: TM & JMA
 Date: 4/15/2015
 Time: 4:01:56 PM
 File: RZM100_02-FLASH-06.SchDoc

Revision: 02
 Sheet 6 of 8

Serious Integrated, Inc.
 145 s 79th Street
 Chandler, AZ 85226
 USA
www.seriousintegrated.com





Board to Board connections via PCB Edge 200-pin matching DDR2 SODIMM Socket

