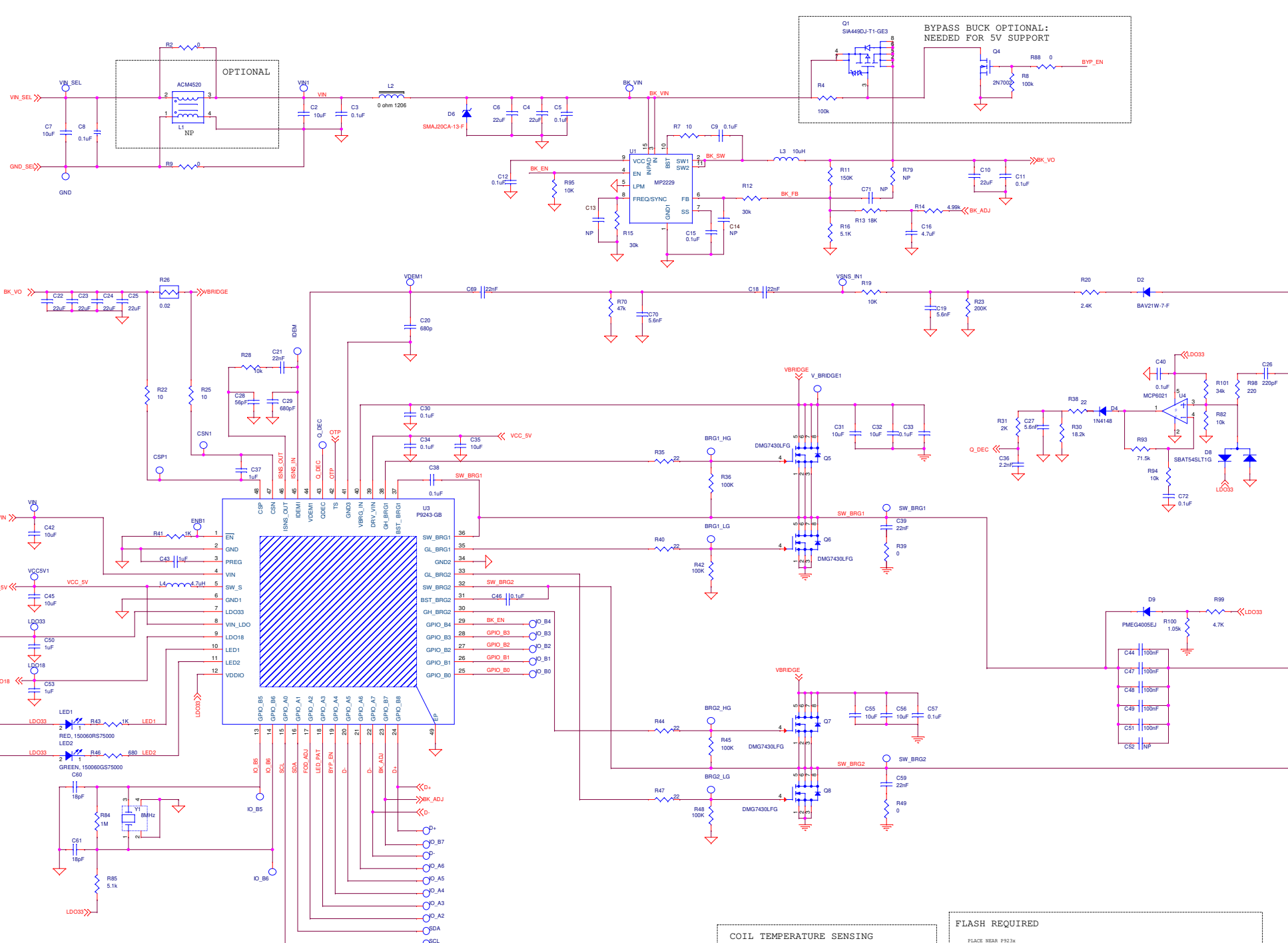
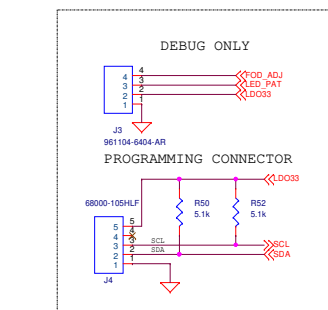
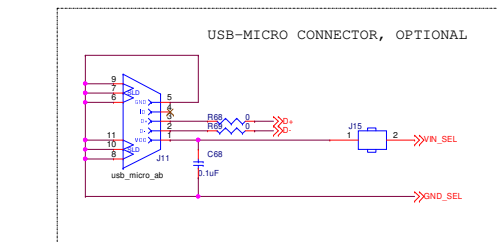
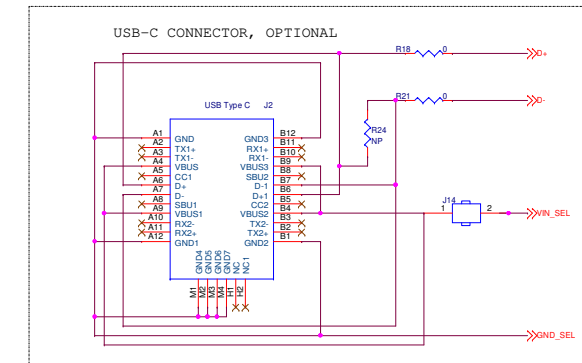
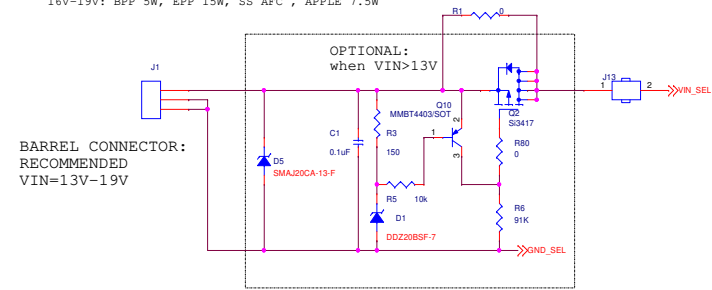
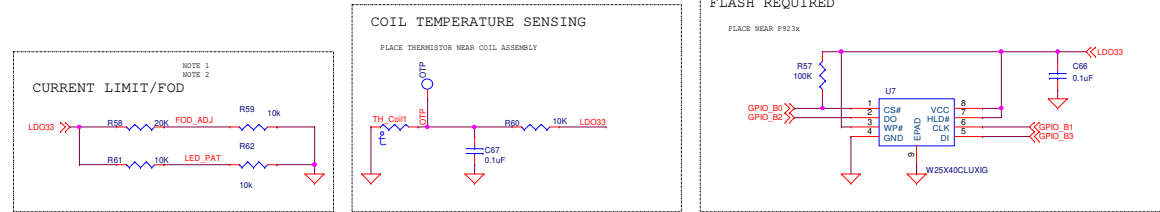


P9243-G/GB MP-A11 DEMO SCHEMATIC V1P0

5V: BPP 5W ONLY
 QC/5V: BPP 5W, EPP 8W, APPLE 7.5W
 QC/12V: BPP 5W, EPP 10W, SS AFC, APPLE 7.5W
 16V-19V: BPP 5W, EPP 15W, SS AFC, APPLE 7.5W



NOTE 1 - FOD_ADJ (GPIO_A2) function is removed. Do not populate. Use REA GUI to change defaults.
 NOTE 2 - LED_PAT (GPIO_A3) function is removed. Do not populate. Use REA GUI to change defaults.



THIS DOCUMENT CONTAINS INFORMATION PROPRIETARY TO Renesas Electronics America, INC. (REA). USE OR DISCLOSURE WITHOUT THE WRITTEN PERMISSION OF AN OFFICER OF REA IS EXPRESSLY FORBIDDEN

File	P9243-G/GB MP-A11 DEMO SCHEMATIC V1P0		
Size	Document Number		Rev
Custom			1.0
Date	Thursday, Mar 28, 2020	Sheet	1 of 1