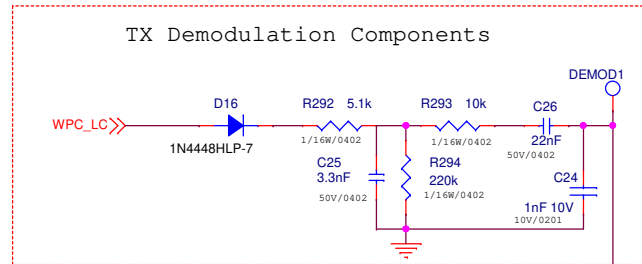
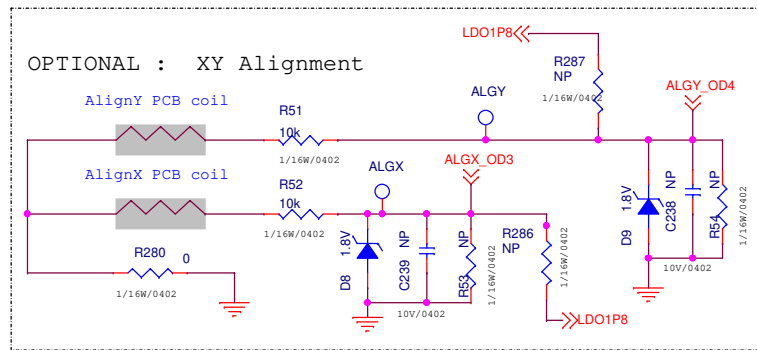


IDTP9415-R TRx DEMO PCB V1.1

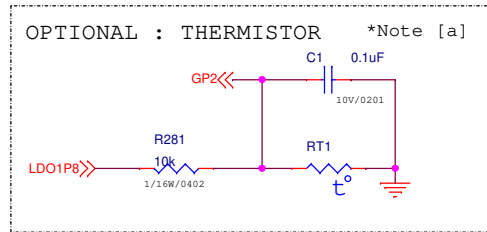
ADVANCED INFORMATION
SUBJECT TO CHANGE



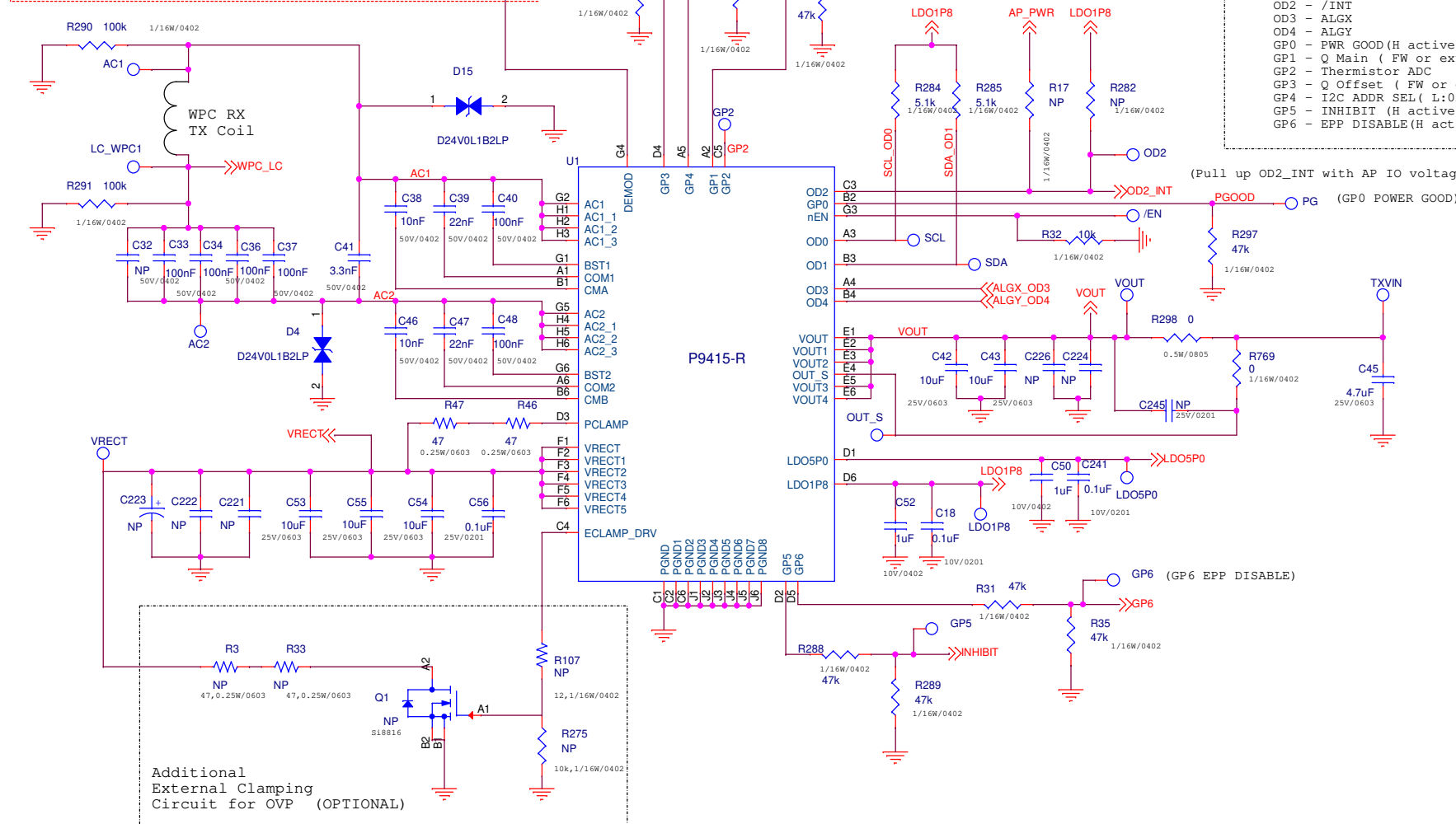
HW RX Q Factor Configuration Table Q30-Q78 (Default RXQ = FW)
* If both GP1 and GP3 are low (<0.2V), RXQ will use FW Configured value.

| >=Vmin | <Vmax | Q_Main | Q_Offset | Pup(R) | Pdown(R) |
|--------|-------|--------|----------|--------|----------|
| 0 | 0.20V | FW | +0 | NP | 47k |
| 0.20 | 0.55V | Q30 | +1 | 100k | 27k |
| 0.55 | 0.90V | Q40 | +2 | 100k | 68k |
| 0.90 | 1.25V | Q50 | +4 | 100k | 150k |
| 1.25 | 1.60V | Q60 | +6 | 47k | 180k |
| 1.60 | 1.98V | Q70 | +8 | 47k | NP |

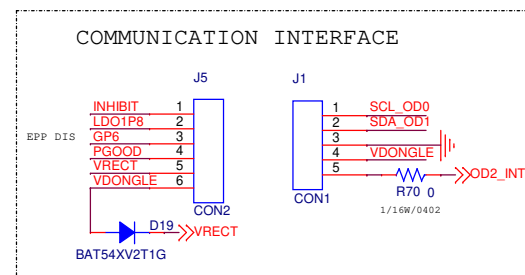
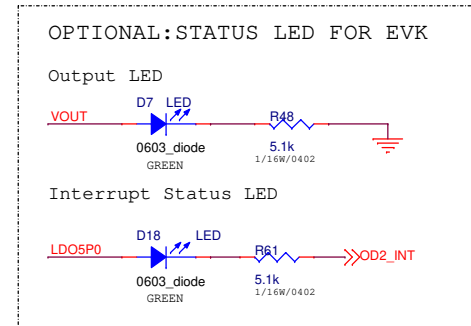
GPIO MAP
 OD0/OD1 - I2C SCL/SDA
 OD2 - /INT
 OD3 - ALGX
 OD4 - ALGY
 GP0 - PWR GOOD (H active, OUT)
 GP1 - Q Main (FW or ext HW)
 GP2 - Thermistor ADC
 GP3 - Q Offset (FW or ext HW)
 GP4 - I2C ADDR SEL (L:0x3B, H:0x3F)
 GP5 - INHIBIT (H active, IN)
 GP6 - EPP DISABLE (H active, IN)



NOTE
 [a] Thermistor component is chosen by customer to set the Input Voltage to GP2 (C5). Intended for coil temperature.
 [b] Component's maximum power rating and value are based on under 15W power condition.



Additional External Clamping Circuit for OVP (OPTIONAL)



Renesas Electronics America, Inc.
REA, INC.

THIS DOCUMENT CONTAINS INFORMATION PROPRIETARY TO Renesas Electronics America, Inc. (REA). USE OR DISCLOSURE WITHOUT THE WRITTEN PERMISSION OF AN OFFICER OF REA IS EXPRESSLY FORBIDDEN

| | | |
|----------|-------------------------|--------------|
| Title | IDTP9415 TRx Demo | |
| Size | Document Number | Rev |
| Customer | <Doc> | 1.1 |
| Date: | Thursday, July 09, 2020 | Sheet 1 of 1 |