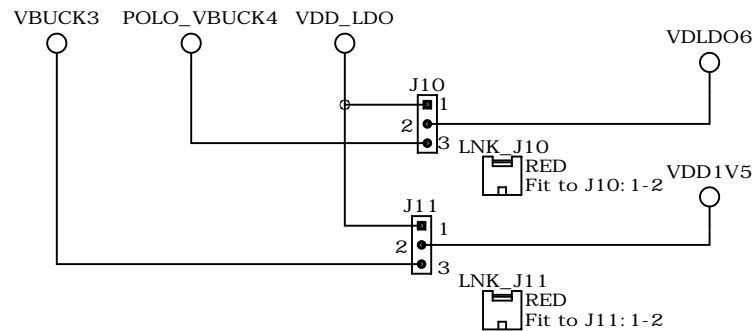
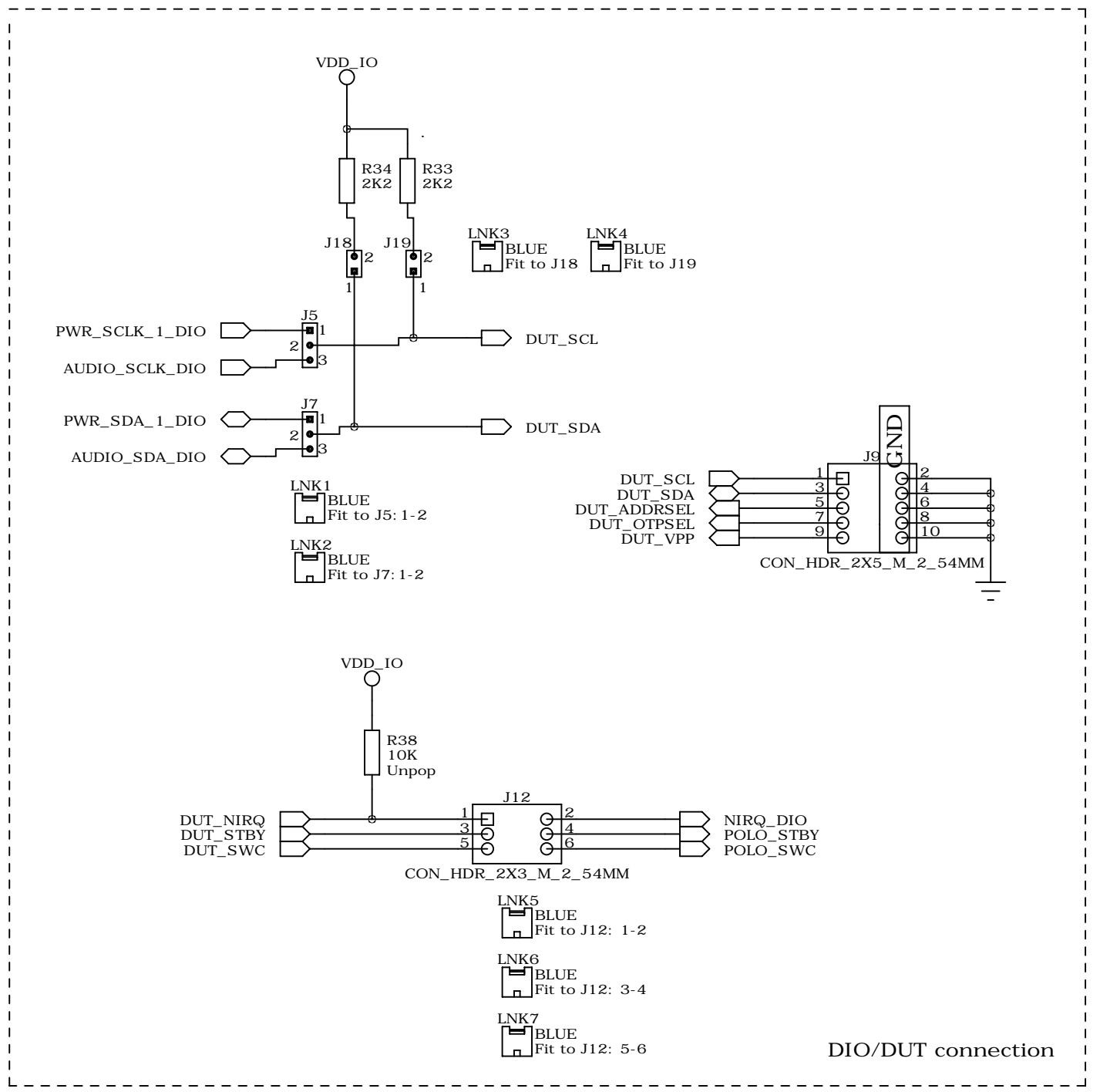
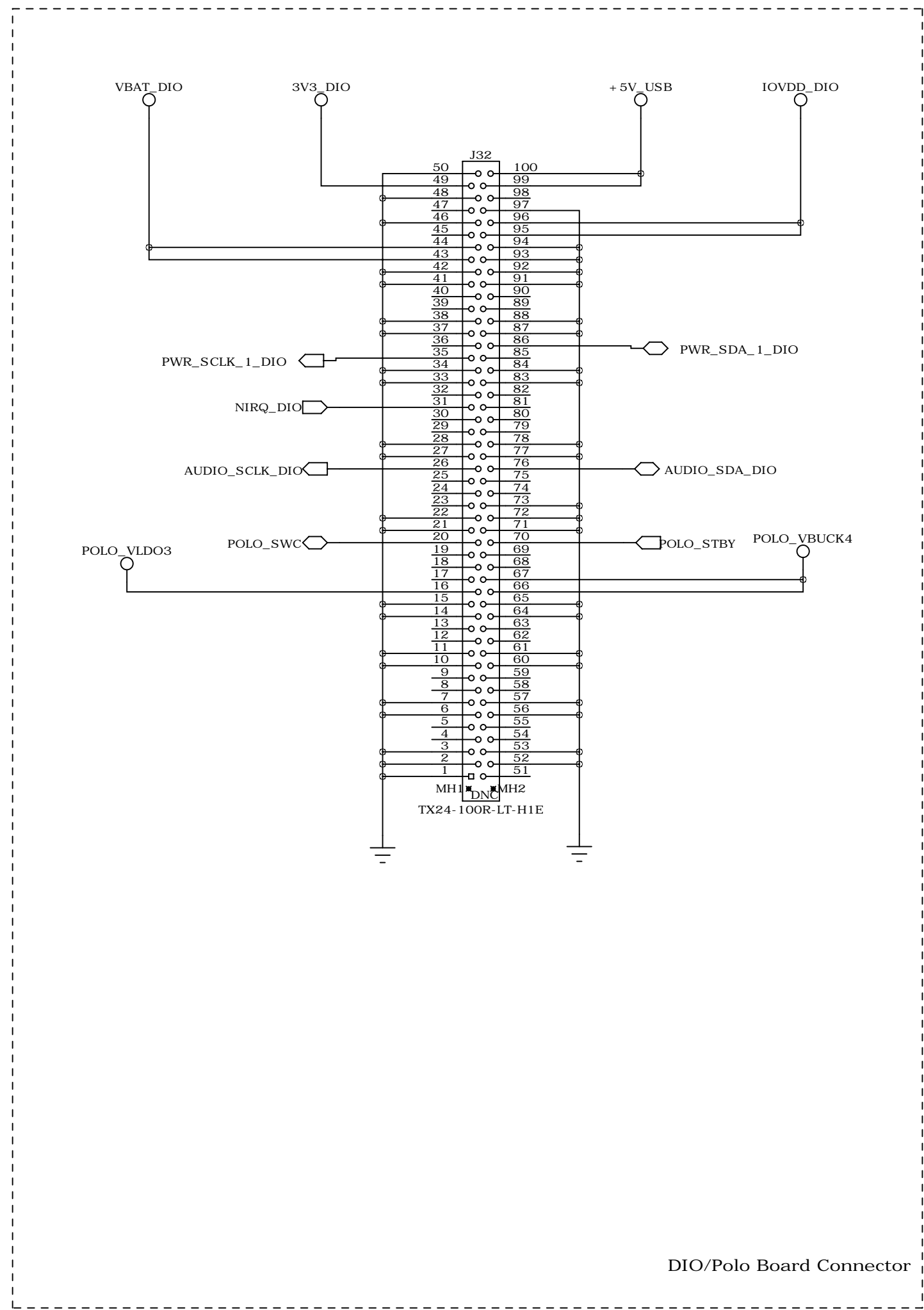


LDO Supply Selection



CONFIDENTIAL INFORMATION		TITLE: PV88090 Performance Board	
PREPARED: MV	DATED: 31/03/2015	DRAWING NO: 281-01-A	REV: A2
RESPONSIBLE: MV	DATED: 03/03/2015	SHEET NAME: PV88090	PAGE: 1 OF 5

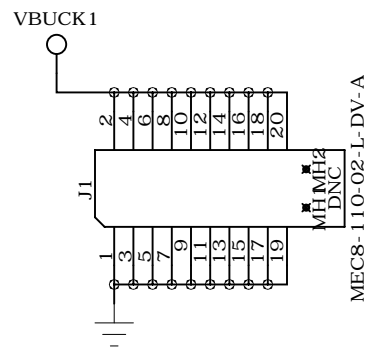




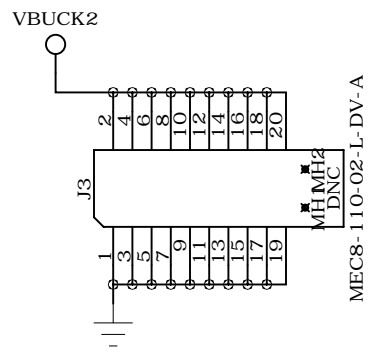
CONFIDENTIAL INFORMATION		TITLE: <b>PV88090 Performance Board</b>	
PREPARED: <b>MV</b>	DATED: <b>31/03/2015</b>	DRAWING NO: <b>281-01-A</b>	REV: <b>A2</b>
RESPONSIBLE: <b>MV</b>	DATED: <b>03/03/2015</b>	SHEET NAME: <b>DIO_CONNECTION</b>	
			PAGE: <b>2 OF 5</b>



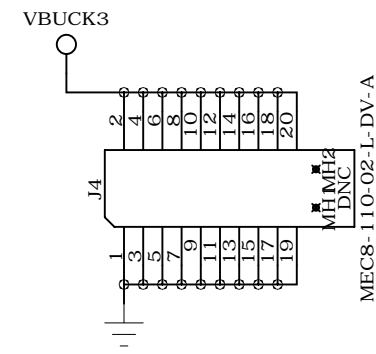
Hammer connector for BUCK1



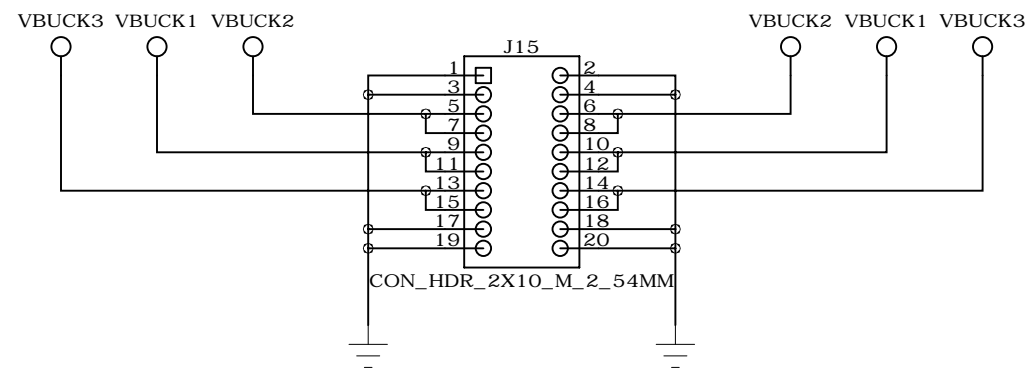
Hammer connector for BUCK2



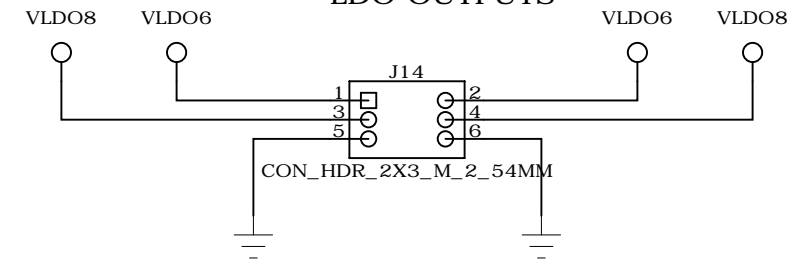
Hammer connector for BUCK3



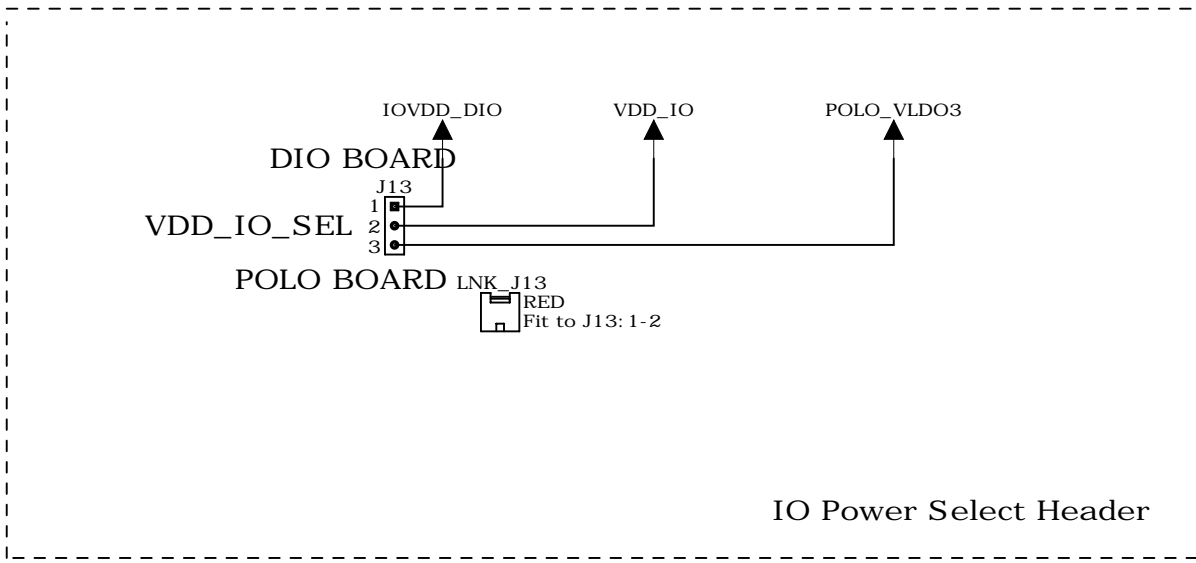
BUCK OUTPUTS



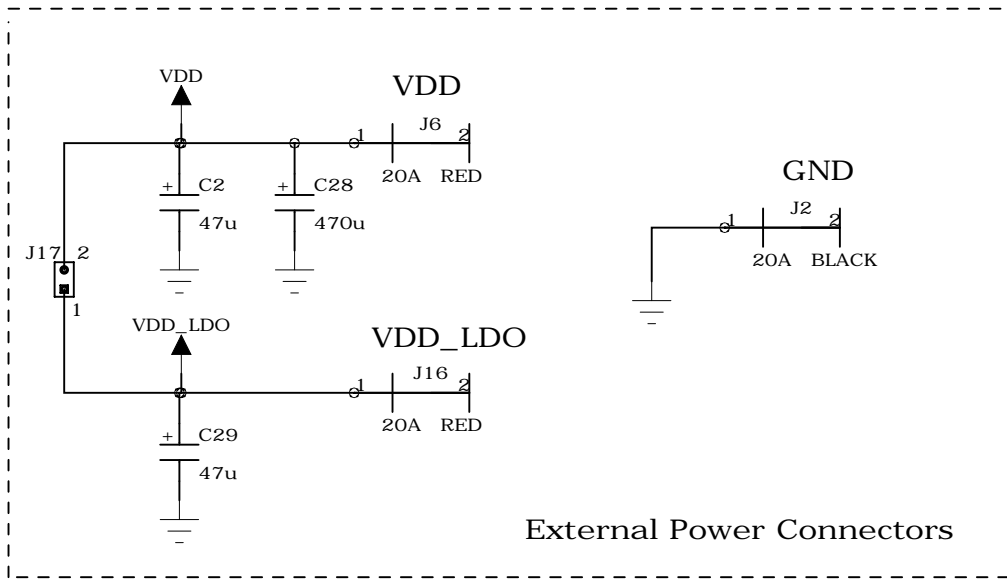
LDO OUTPUTS



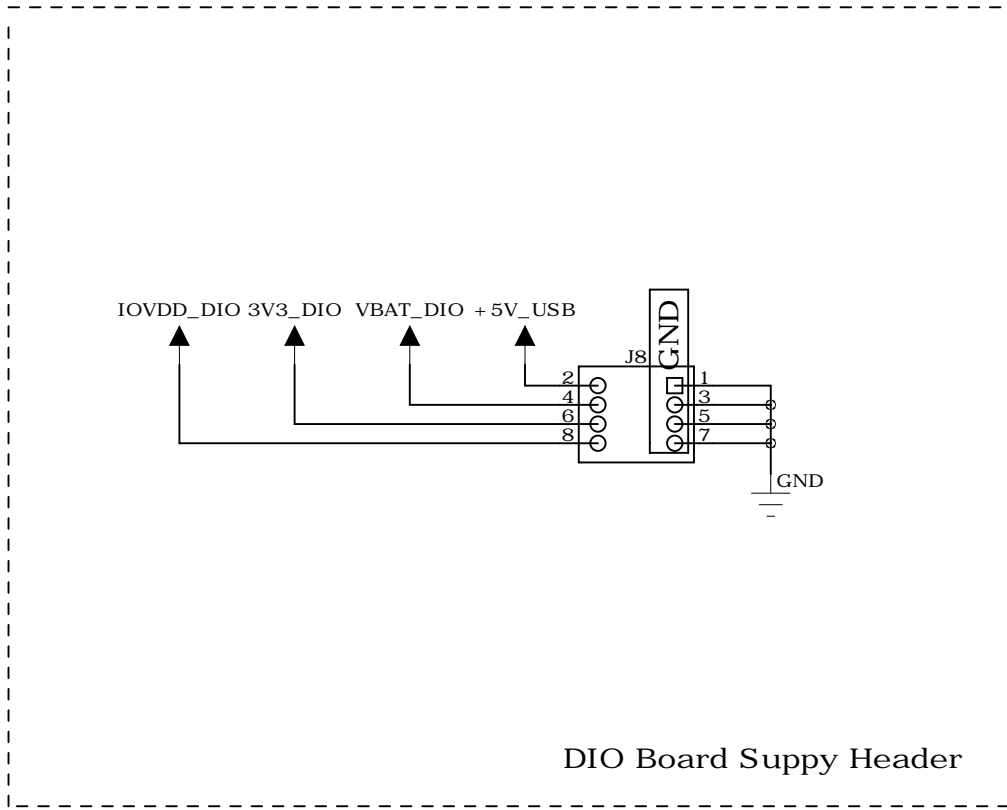
CONFIDENTIAL INFORMATION		TITLE: PV88090 Performance Board		
PREPARED: MV	DATED: 31/03/2015	DRAWING NO: 281-01-A	REV: A2	
RESPONSIBLE: MV	DATED: 03/03/2015	SHEET NAME: OUTPUTS		PAGE: 3 OF 5



IO Power Select Header



External Power Connectors



DIO Board Supply Header

CONFIDENTIAL INFORMATION		TITLE: <b>PV88090 Performance Board</b>		
PREPARED: <b>MV</b>	DATED: <b>31/03/2015</b>	DRAWING NO: <b>281-01-A</b>	REV: <b>A2</b>	
RESPONSIBLE: <b>MV</b>	DATED: <b>03/03/2015</b>	SHEET NAME: <b>POWER</b>		PAGE: <b>4 OF 5</b>