

JMP3 NPB02SVFN-RC  
 JMP4 NPB02SVFN-RC  
 JMP5 NPB02SVFN-RC  
 JMP6 NPB02SVFN-RC

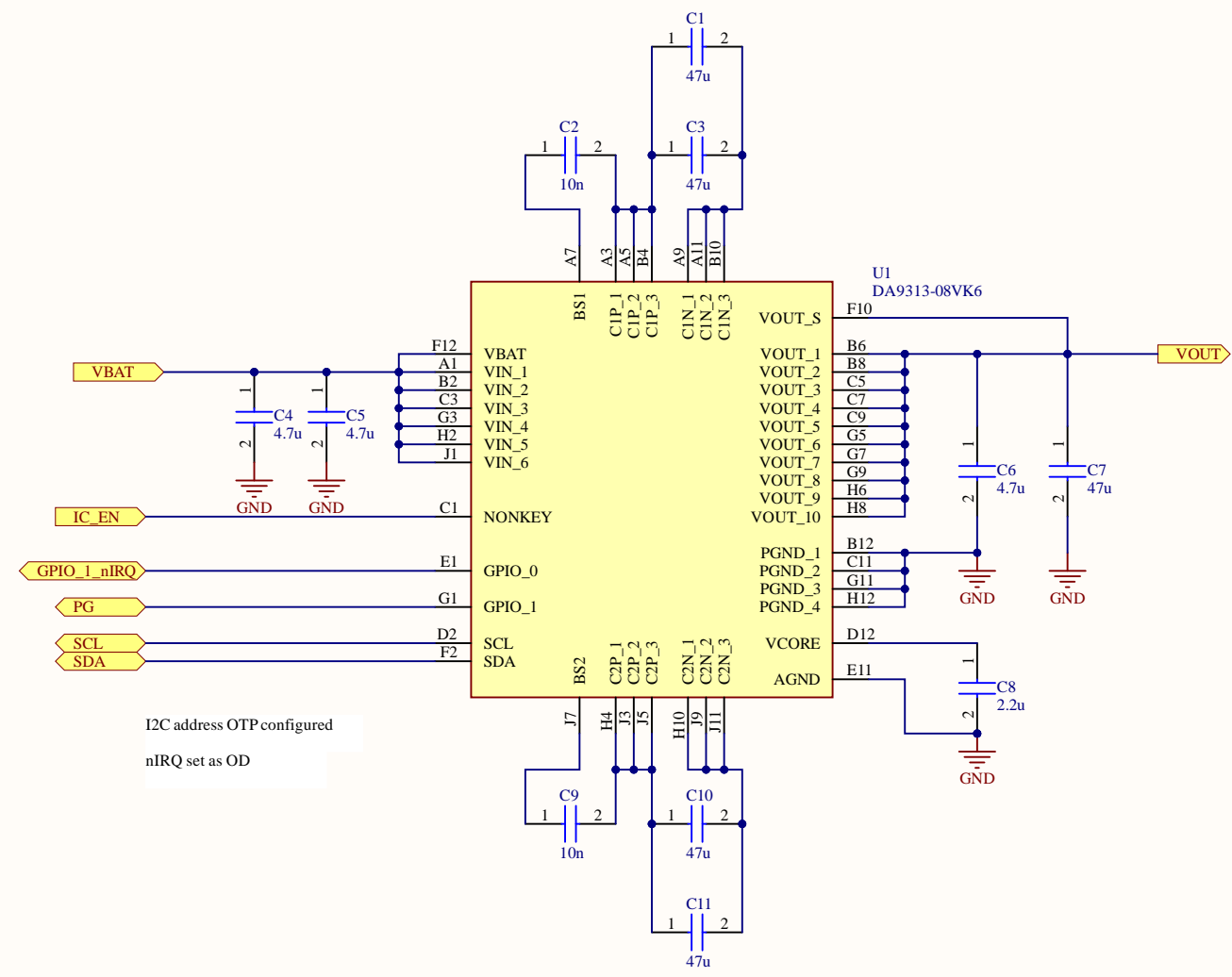
Mark VIN and GND pins for screw terminal on layout

Mark VIN and GND pins for screw terminal on layout

LED current target to 1mA.  
 Current limiting resistor =  
 $(3.3V - 1.8V) / 1mA = 1500 \text{ ohm}$

Current sense resistor R1 needs to be Kelvin connected on layout.

Feedback Adjustment:  
 ISL28025 DAC\_OUT  $\rightarrow$  0 - 2.4V  
 $(2.4V - 0.5V) / R = (5V - 0.5V) / 2.61k$   
 $\rightarrow R = 1102$   
 Use R13=1.10k for availability



I2C address OTP configured  
nIRQ set as OD

