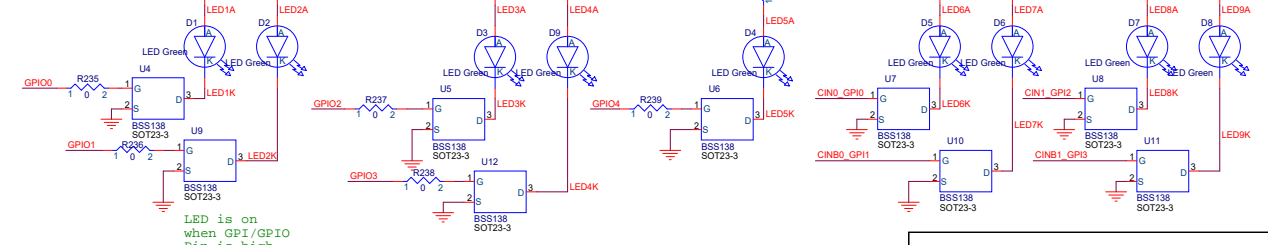
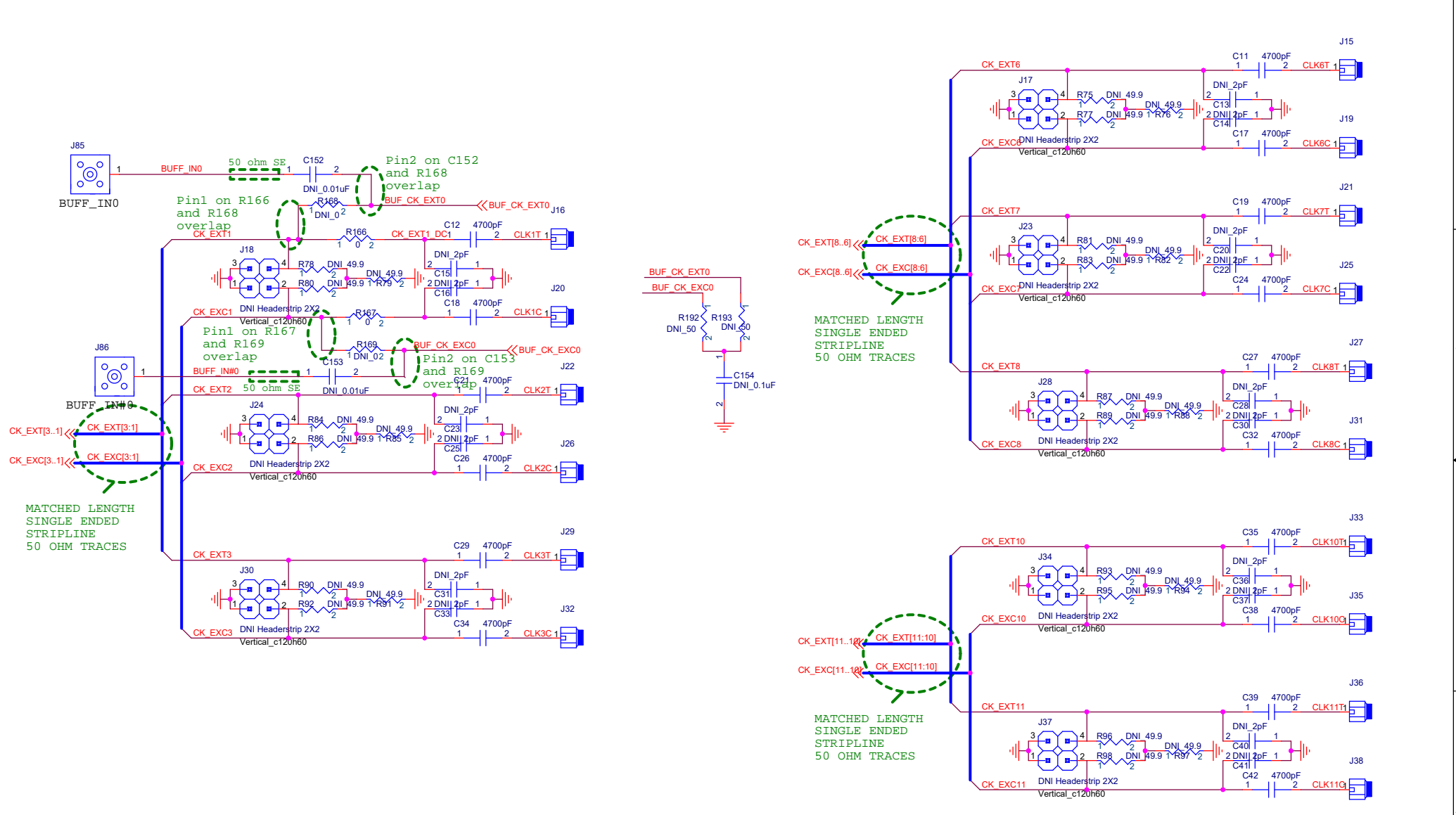


(OC) RC26008/RC26012 (SPI Mode) RC21008/RC21012 (Auto-Clock)

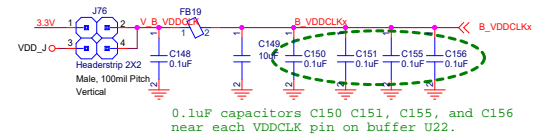
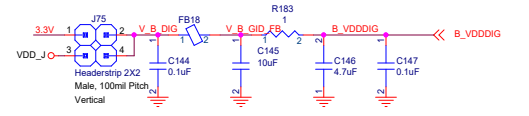
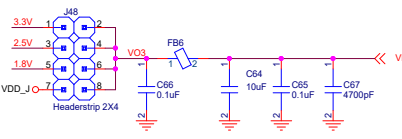
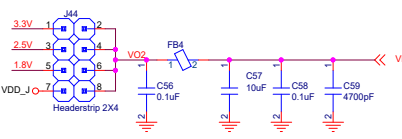
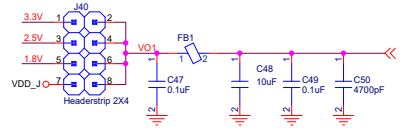
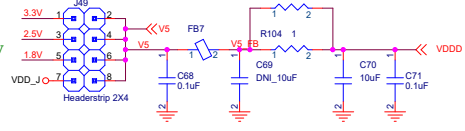
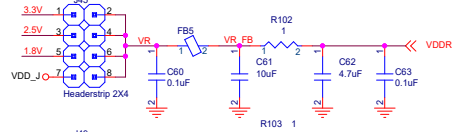
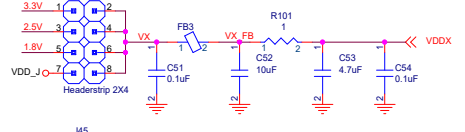
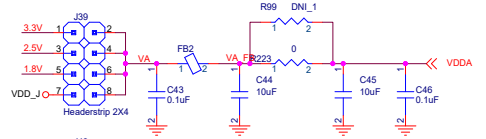
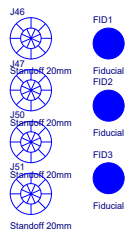
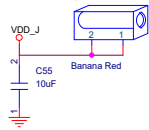
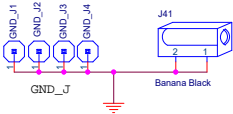
GPIO0 / SOD_ACTIVE# / SDIO (3-Wire) / INT_output
 GPIO1 / SFT_RST# / SEL#0 PIN / Fault_output
 GPIO2 / HRDRST# / SEL#1 PIN / OE function
 GPIO3 / RSTOUT# / OE function
 GPIO4 / RESET_IN# / OE function
 GPIO10 / SPT+ / 2nd Xtal
 GPIO11 / SPT- / 2nd Xtal
 GPIO2 (GPIO5) / OC_Active# / SEL1 function
 GPIO3 (GPIO6) / SOD_EN# / SEL0 function



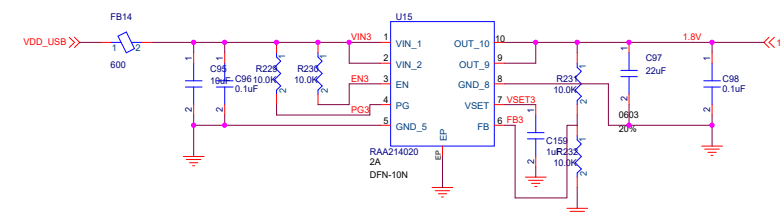
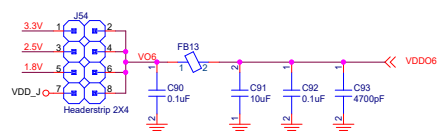
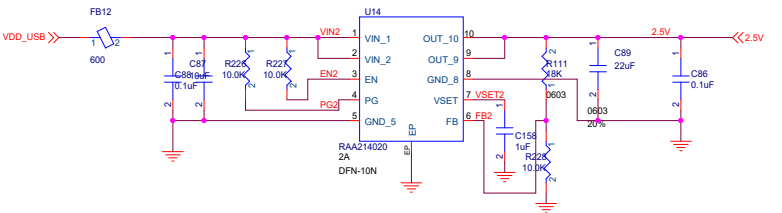
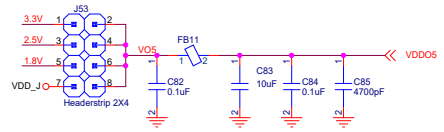
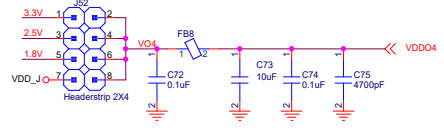
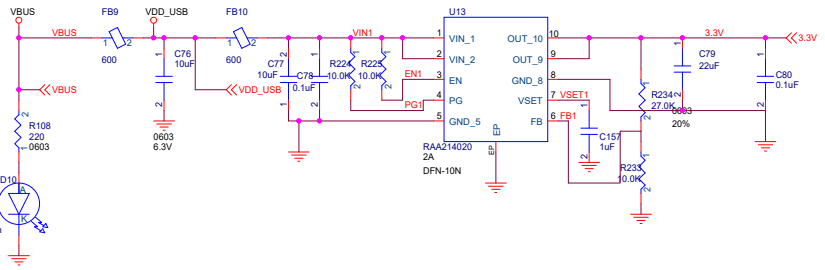
Title			VC7 and QBuffer Evaluation Board
Size C			Document Number
Date: Tuesday, April 06, 2021			VC7_QBuffer_EVB_REV-A
Sheet			1 of 5
Rev			A



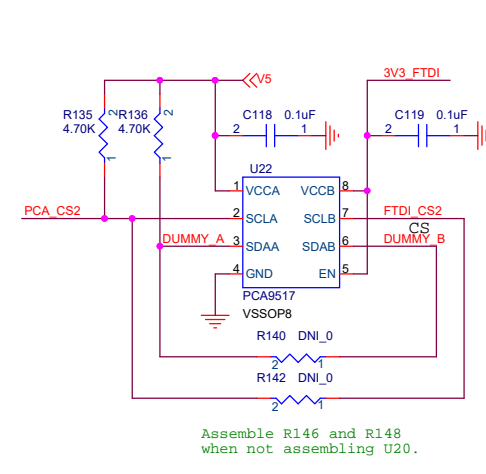
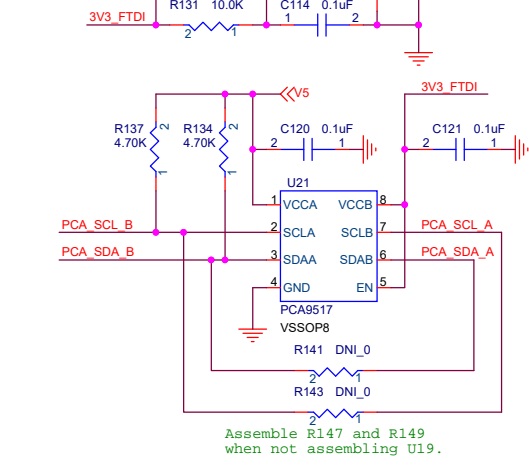
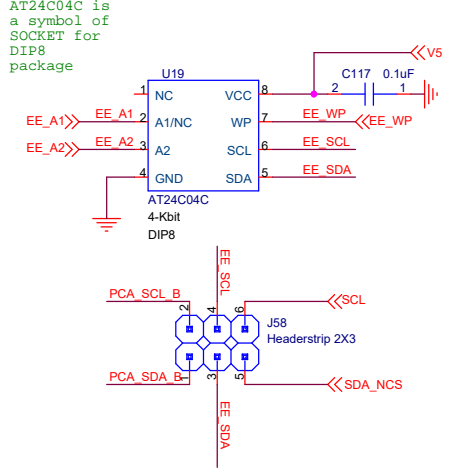
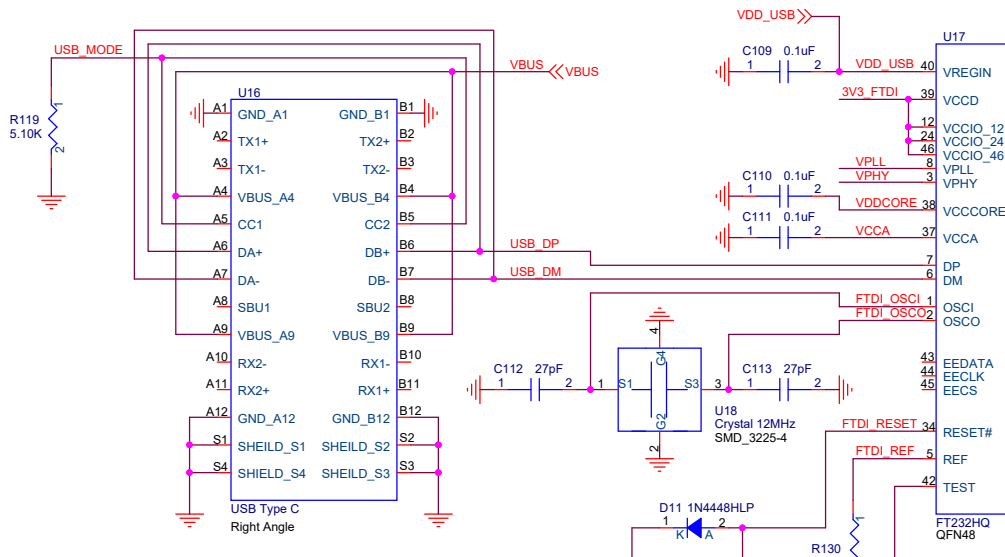
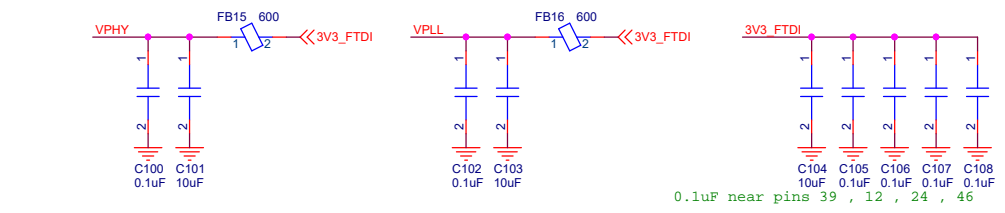
Title		
VC7 and QBuffer Evaluation Board		
Size	Document Number	Rev
B	VC7 and QBuffer Evaluation Board	A
Date:	Tuesday, April 06, 2021	Sheet 2 of 5



For OTP, Stuff on 3.3V / 2.5V only

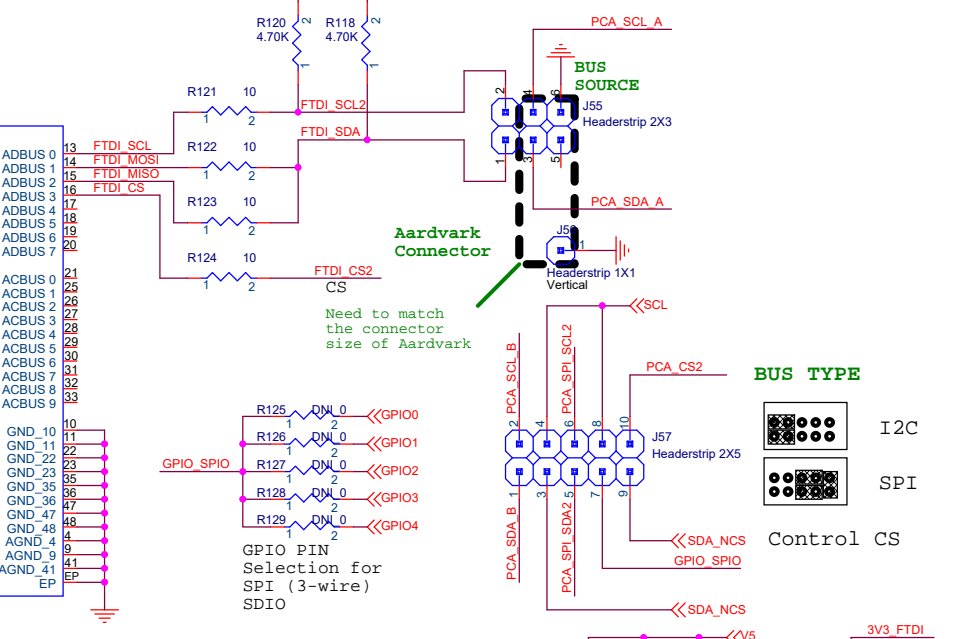


Title			VC7 and QBuffer Evaluation Board
Size	Document Number	Rev	
C	VC7 and QBuffer Evaluation Board	A	
Date:	Tuesday, April 06, 2021	Sheet	3 of 5

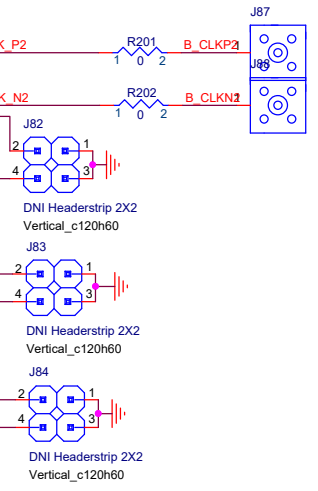
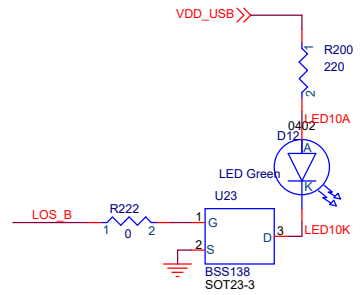
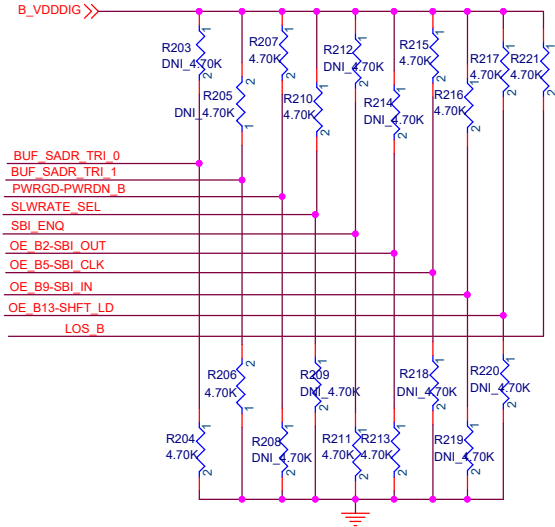
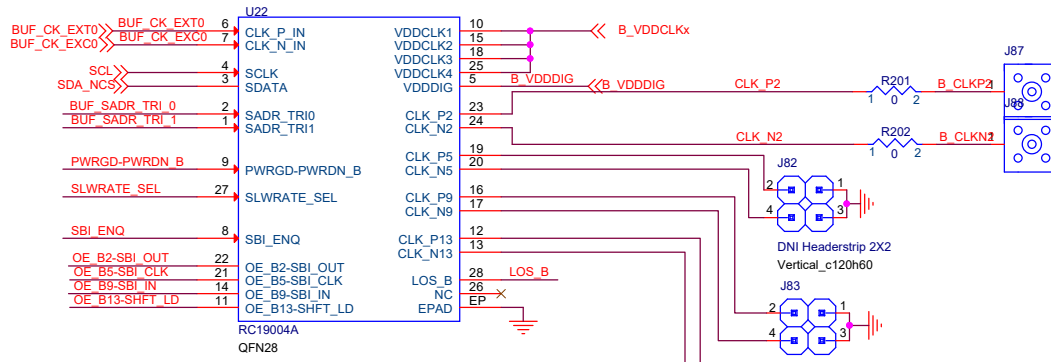


FTDI Controls I2C/SPI

Aardvark Connector on pins 3, 4 and 6 for I2C control.



Title		
VC7 and QBuffer Evaluation Board		
Size	Document Number	Rev
B	VC7 and QBuffer Evaluation Board	A
Date:	Tuesday, April 06, 2021	Sheet 4 of 5



Title		
VC7 and QBuffer Evaluation Board		
Size	Document Number	Rev
B	VC7 and QBuffer Evaluation Board	A
Date:	Tuesday, April 06, 2021	Sheet 5 of 5