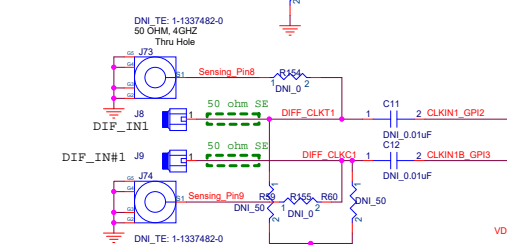
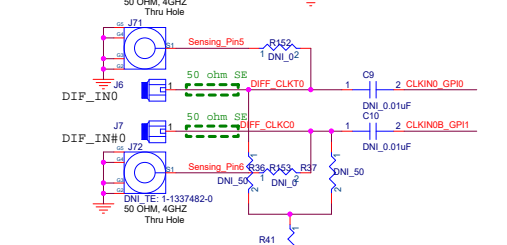
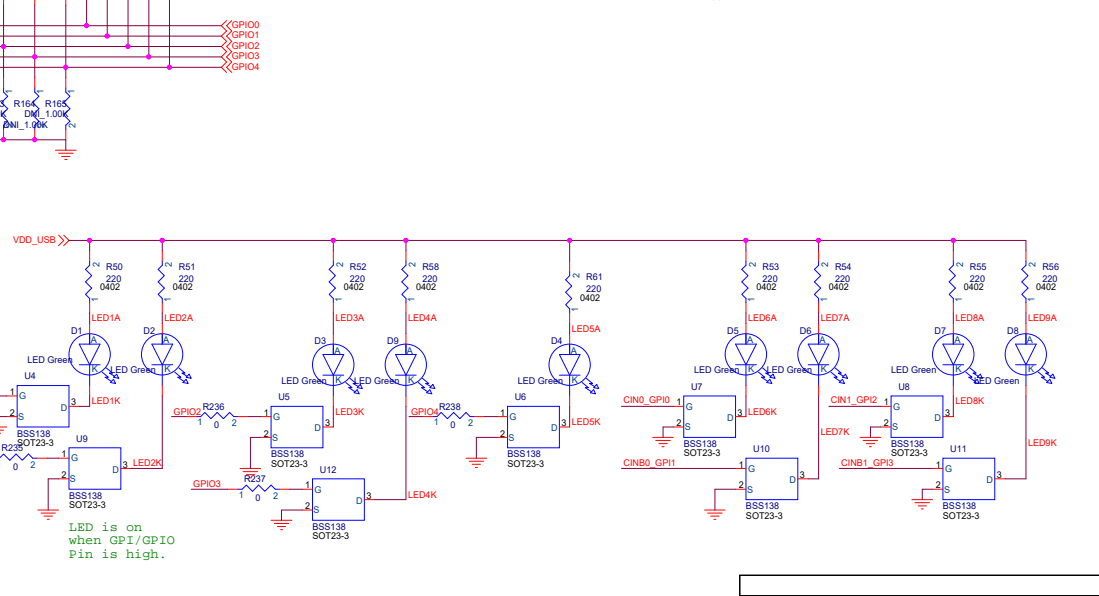
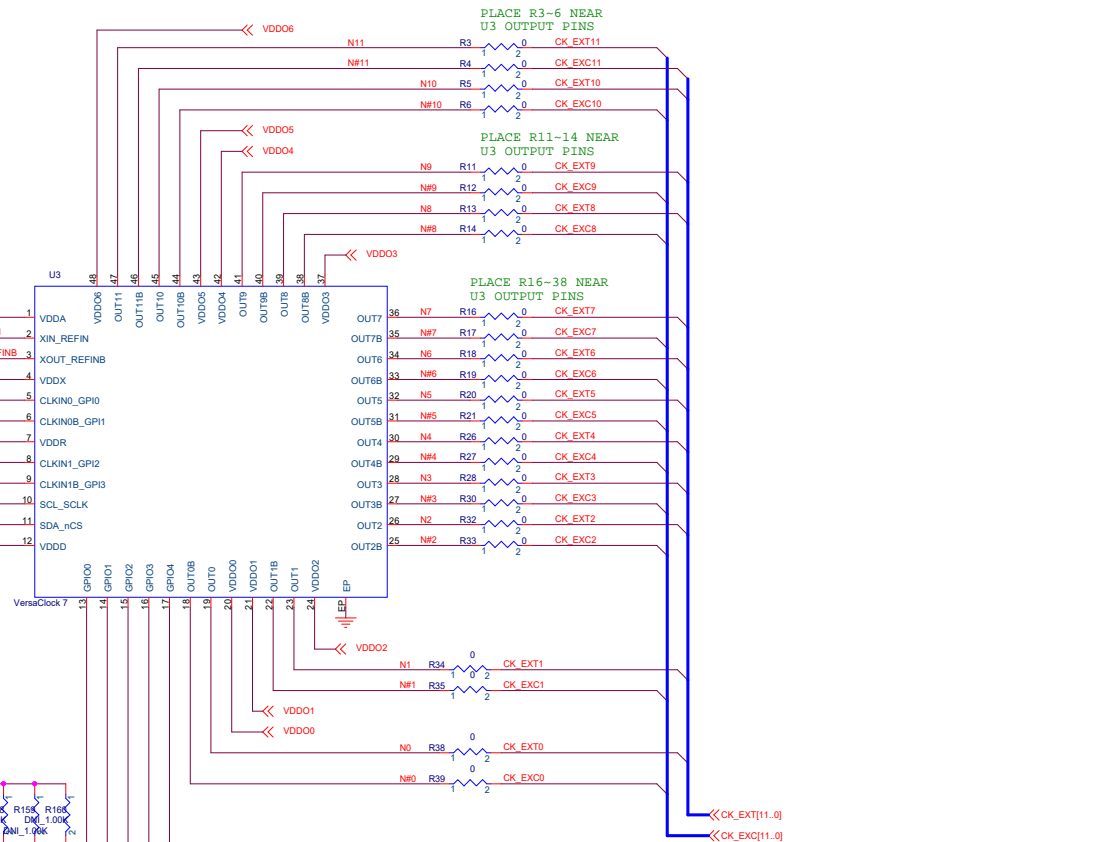
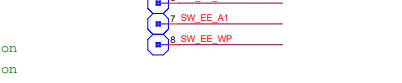
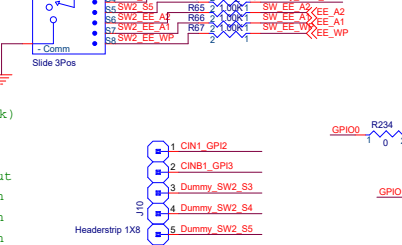
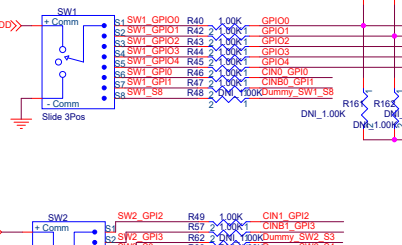
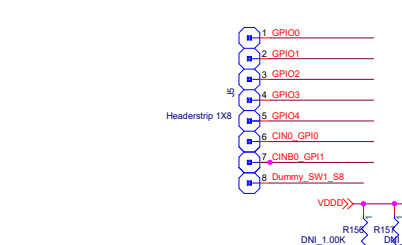
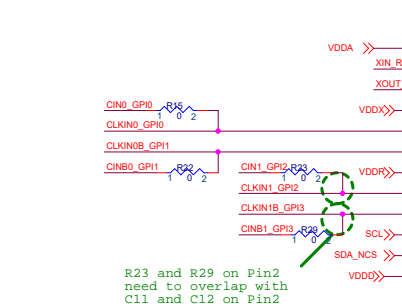


INPUTS need to be stripline, routed single ended 50 ohm. Traces need to be 10 inches matched length

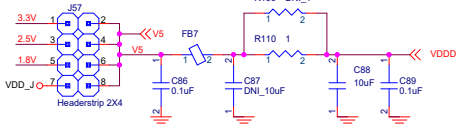
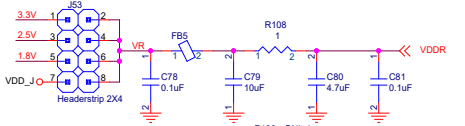
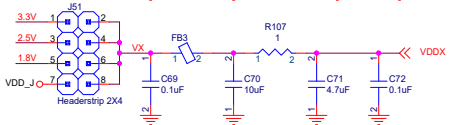
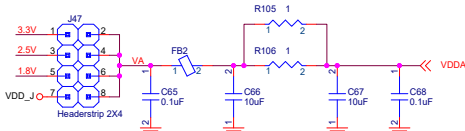
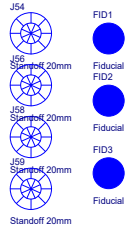
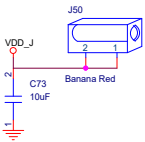
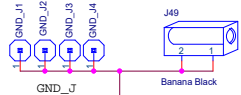


(OC) RC26008/RC26012 (SPI Mode) RC21008/RC21012 (Auto-Clock)

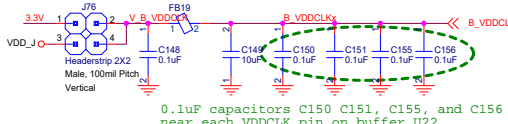
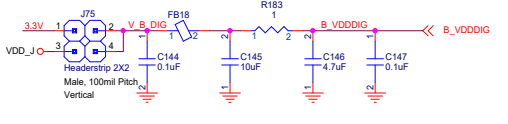
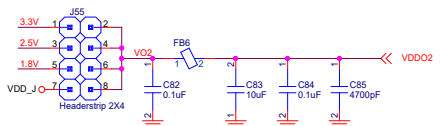
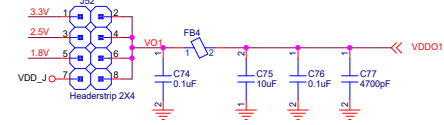
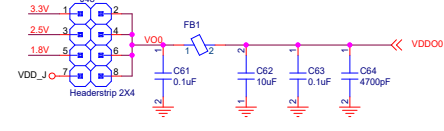
GPI0 / SOD_ACTIVE# / SDIO (3-Wire) / INT_output
 GPI1 / SFRST# / SEL#0 PIN / Fault_output
 GPIO2 / HRDRST# / SEL#1 PIN / OE function
 GPIO3 / RSTOUT# / OE function
 GPIO4 / RESET_IN# / OE function
 GPIO / SPT+ / 2nd Xtal
 GPI1 / SPT- / 2nd Xtal
 GPI2 (GPIO5) / OC_Active# / SEL1 function
 GPI3 (GPIO6) / SOD_EN# / SEL0 function



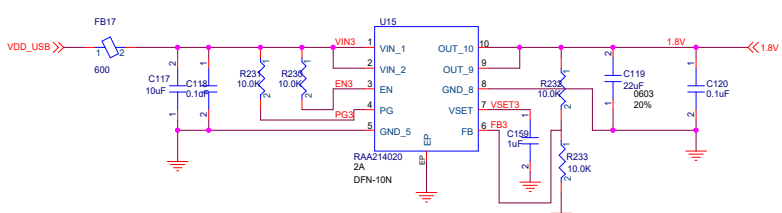
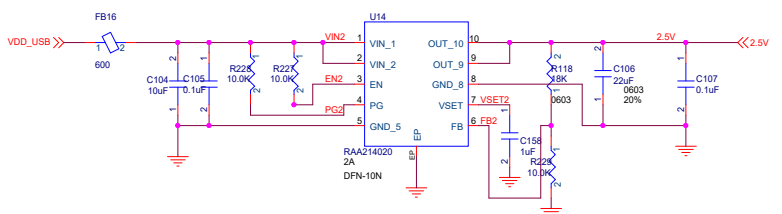
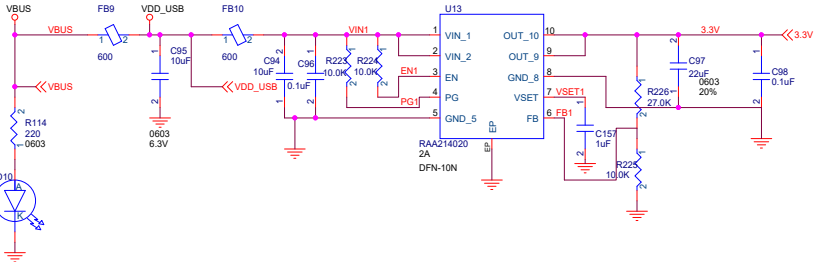
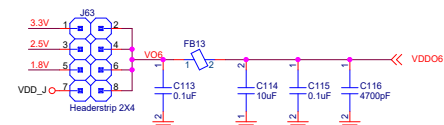
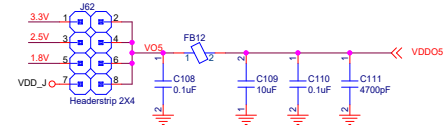
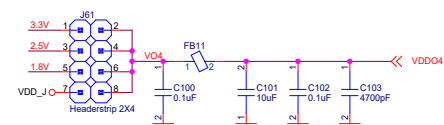
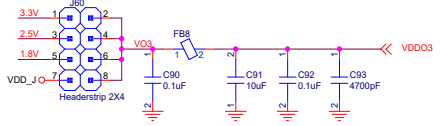
Title		
VC7 + QBuffer Evaluation Board		
Size	Document Number	Rev
C	VC7+QBuffer_EVB_REV-A	A
Date:	Friday, April 02, 2021	Sheet 1 of 5



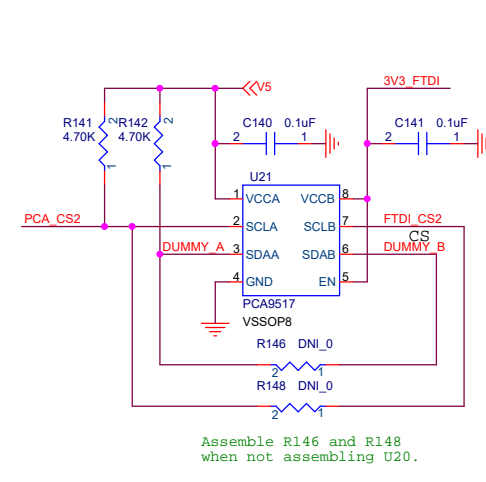
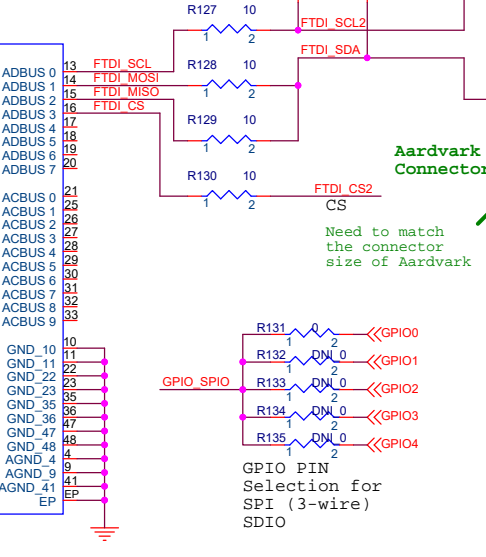
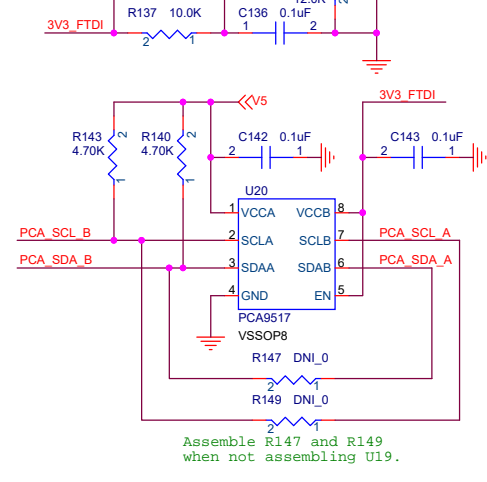
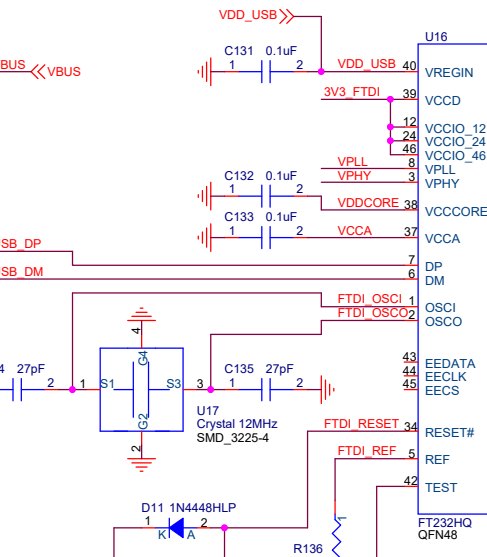
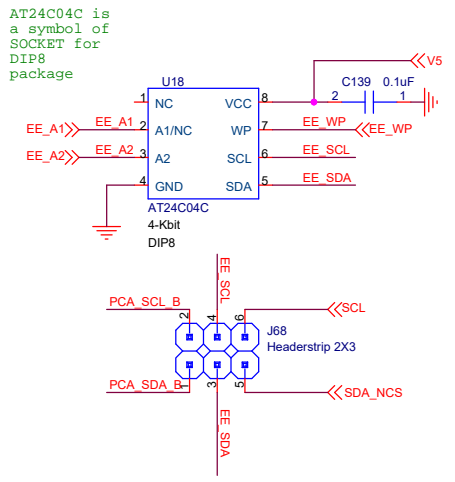
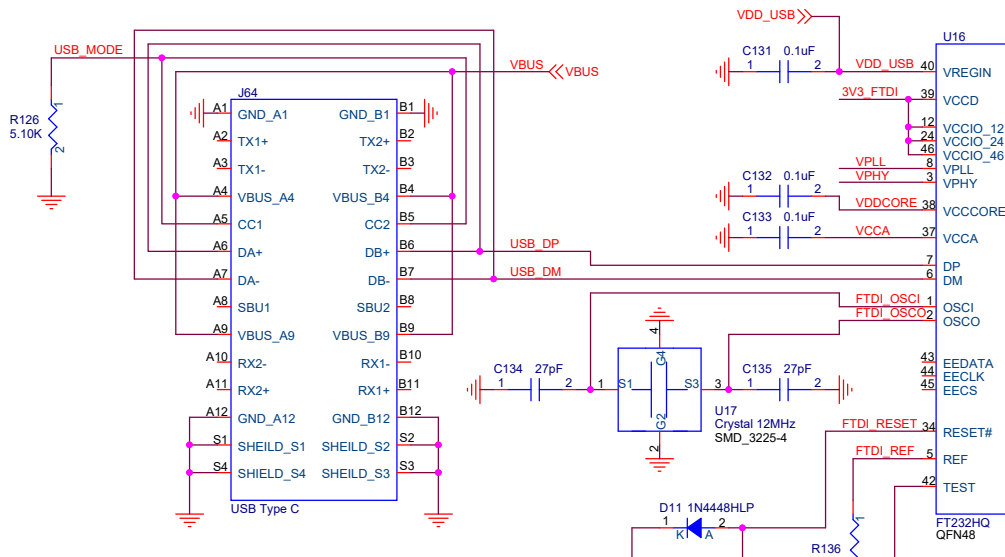
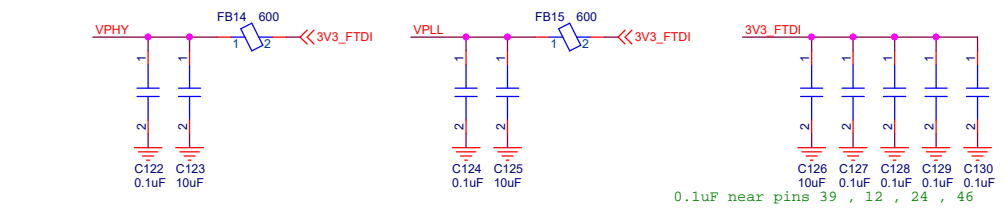
For OTP, Stuff on 3.3V / 2.5V only



0.1uF capacitors C150, C151, C155, and C156 near each VDDCLK pin on buffer U22.

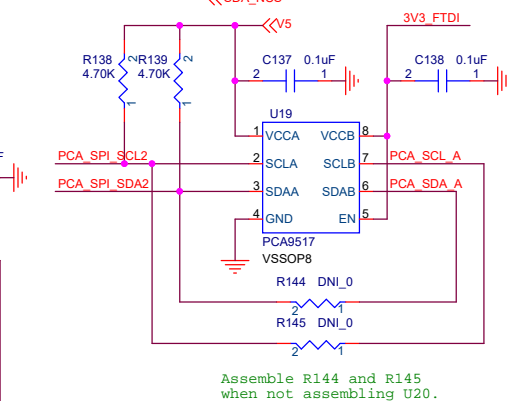
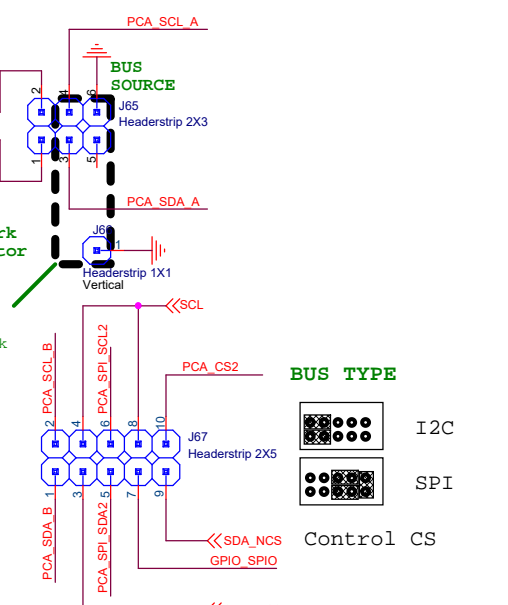


Title			VC7 + QBuffer Evaluation Board
Size	Document Number	Rev A	
C	VC7+QBuffer_EVB_REV-A		
Date:	Friday, April 02, 2021	Sheet	3 of 5



FTDI Controls
I2C/SPI

Aardvark Connector
on pins 3, 4 and 6
for I2C control.



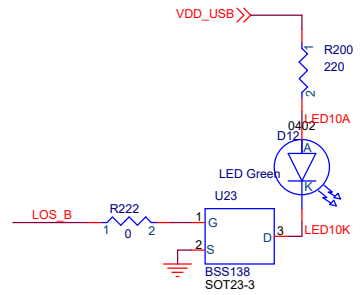
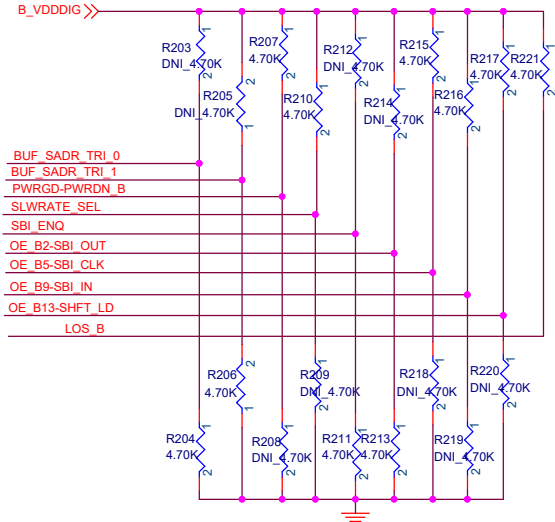
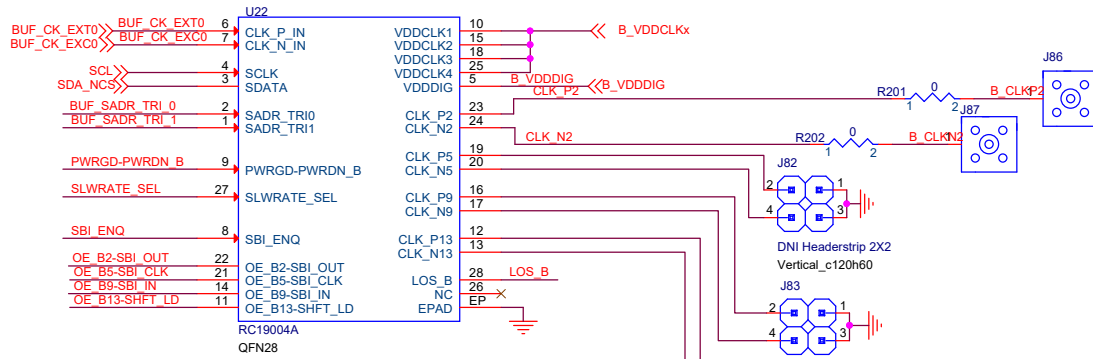
Title		
VC7 + QBuffer Evaluation Board		
Size B	Document Number	Rev A
	VC7+QBuffer_EVB_REV-A	
Date:	Friday, April 02, 2021	Sheet 4 of 5

AT24C04C is a symbol of SOCKET for DIP8 package

Assemble R147 and R149 when not assembling U19.

Assemble R146 and R148 when not assembling U20.

Assemble R144 and R145 when not assembling U20.



Title		
VC7 + QBuffer Evaluation Board		
Size	Document Number	Rev
B	VC7+QBuffer_EVB_REV-A	A
Date:	Friday, April 02, 2021	Sheet 5 of 5