

# RL78/G23-64p Fast Prototyping Board Schematic

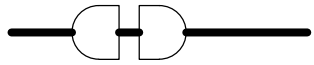
Product No: RTK7RLG230CLG000BJ

Document No:R20UT4931EJ Rev.1.00

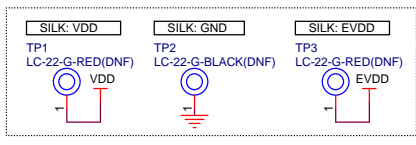
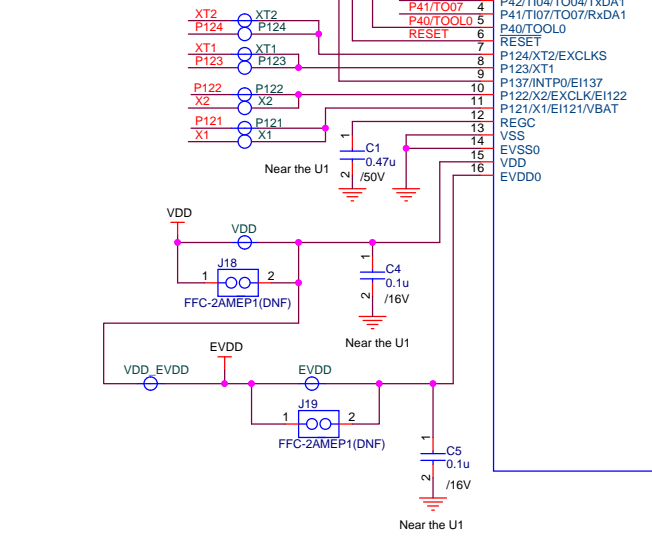
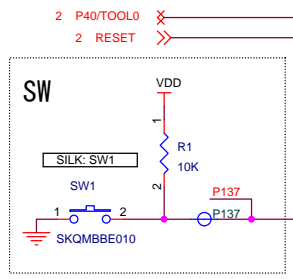
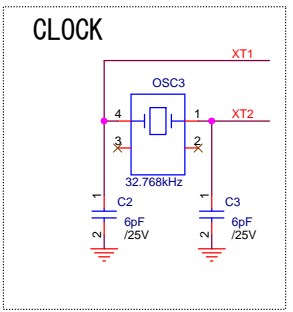
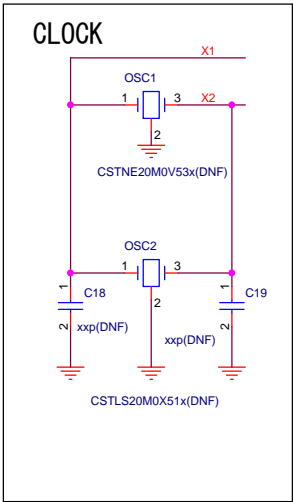
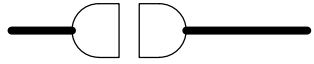
Page 1 : CPU, GROVE I/F, Arduino UNO R3 I/F, MCU Header

Page 2 : POWER, Micro USB I/F, E2 Emulator I/F, Reset

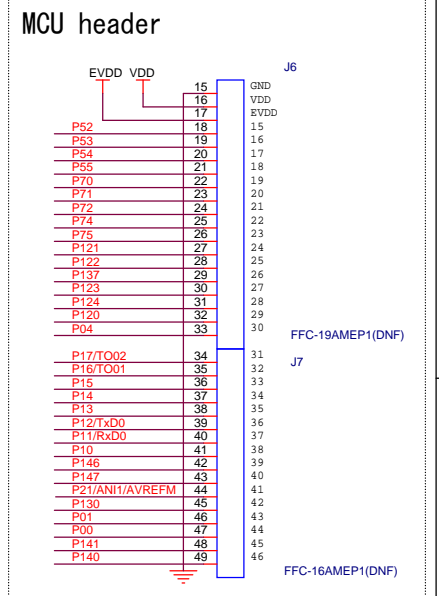
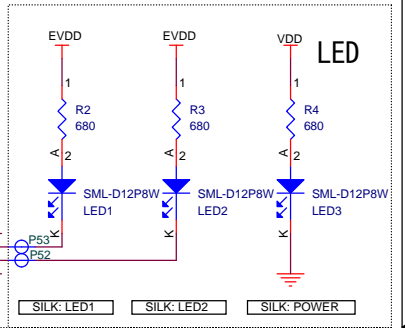
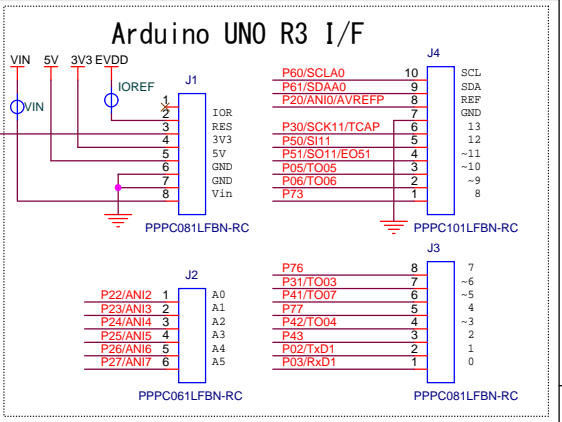
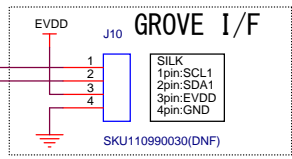
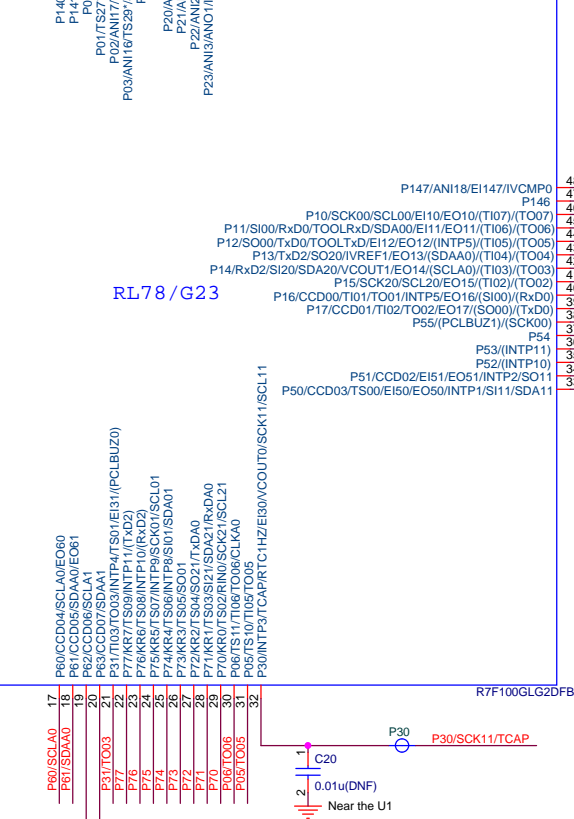
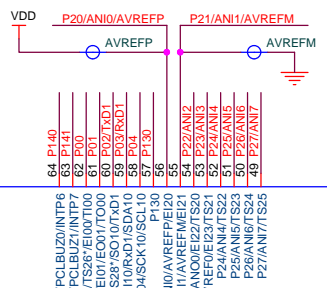
SS: short-pad (Default: shorted)



SC: short-pad (Default: open)

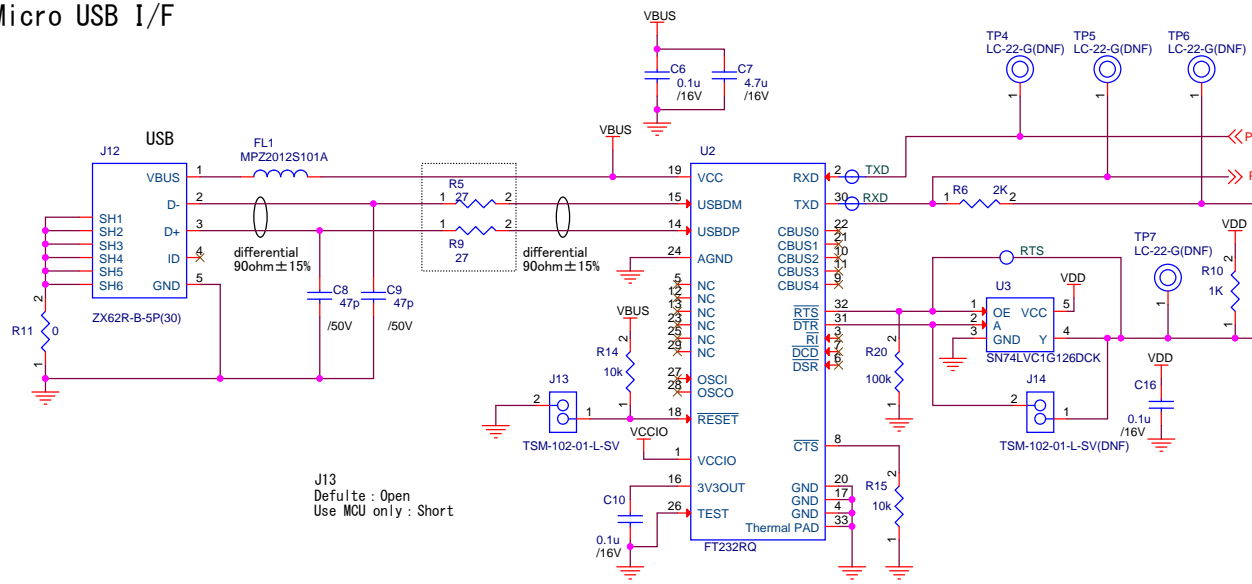


Shielded the line by GND  
OSC1, OSC2, X1, X2, XT1, XT2, RESET, T\_RESET  
Thicken the power line  
VDD, EVDD, REGC, 5V, VIN, VBUS, 3V3

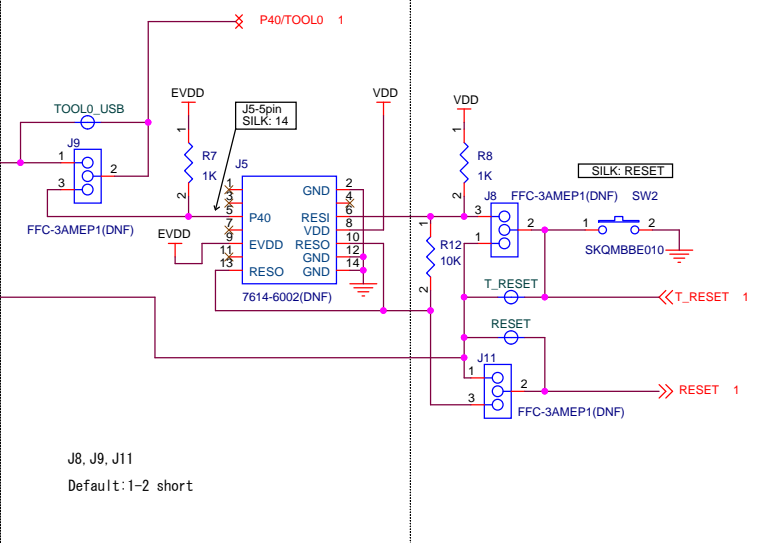


<b>RENESAS</b>		Renesas Electronics Corporation	
Title	RTK7RLG230CLG000BJ		
Size	Document Number	Rev	
A3	R20UT4931EJ	1.00	
Date:	January 16, 2021	Sheet	1 of 2

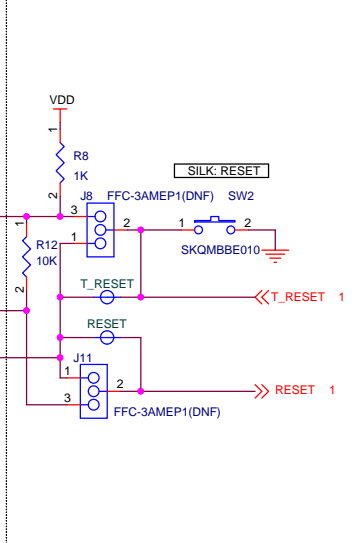
# Micro USB I/F



# E2 Emulator I/F



# RESET



# LDO

