

RL78/G24 CPU Card for Motor Control Evaluation Board
(RTK0EMG240C00000BJ)
Schematics

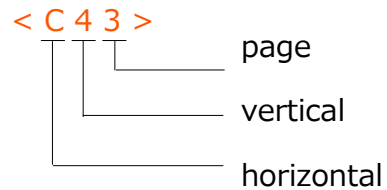
- 01 : Conten
- 02 : Inverter
- 03 : Connector
- 04 : History

Supplementary explanation :

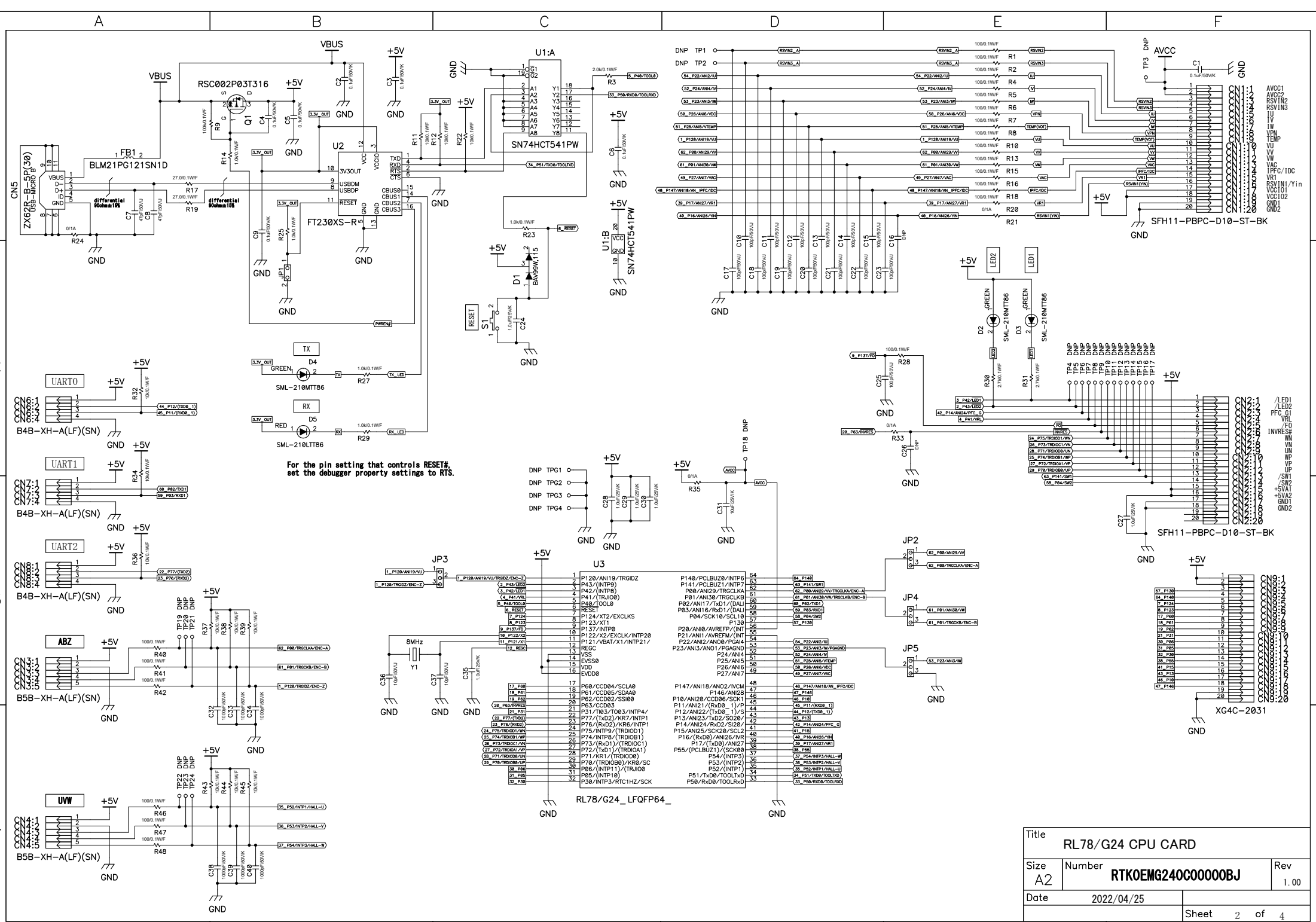
DNP: unmounted part

Access point: <horizontal, vertical page>

Ex.

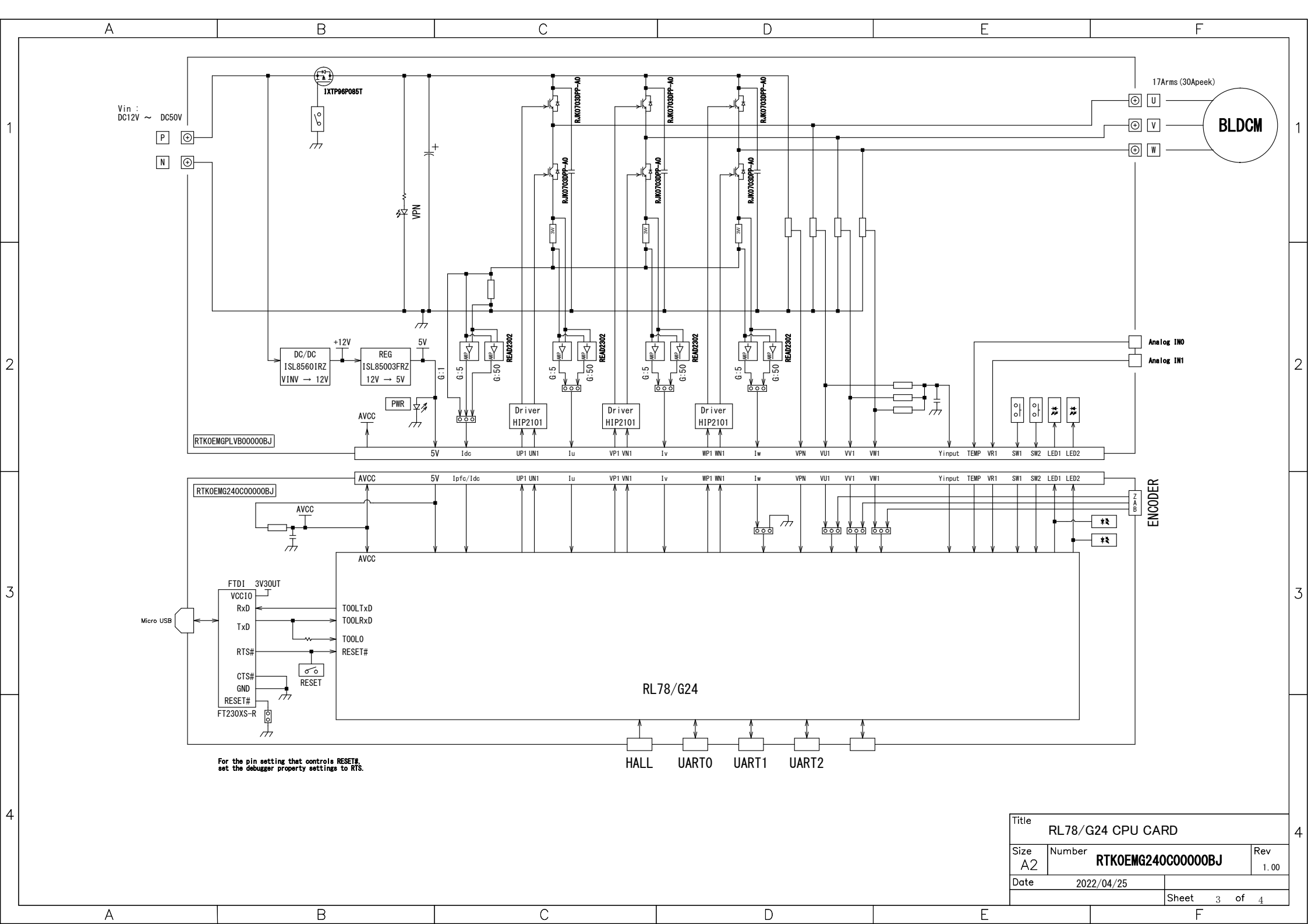


Title			RL78/G24 CPU CARD		
Size	Number	Rev			
A2	RTK0EMG240C00000BJ	1.00			
Date	2022/04/25				
			Sheet	1	of 3

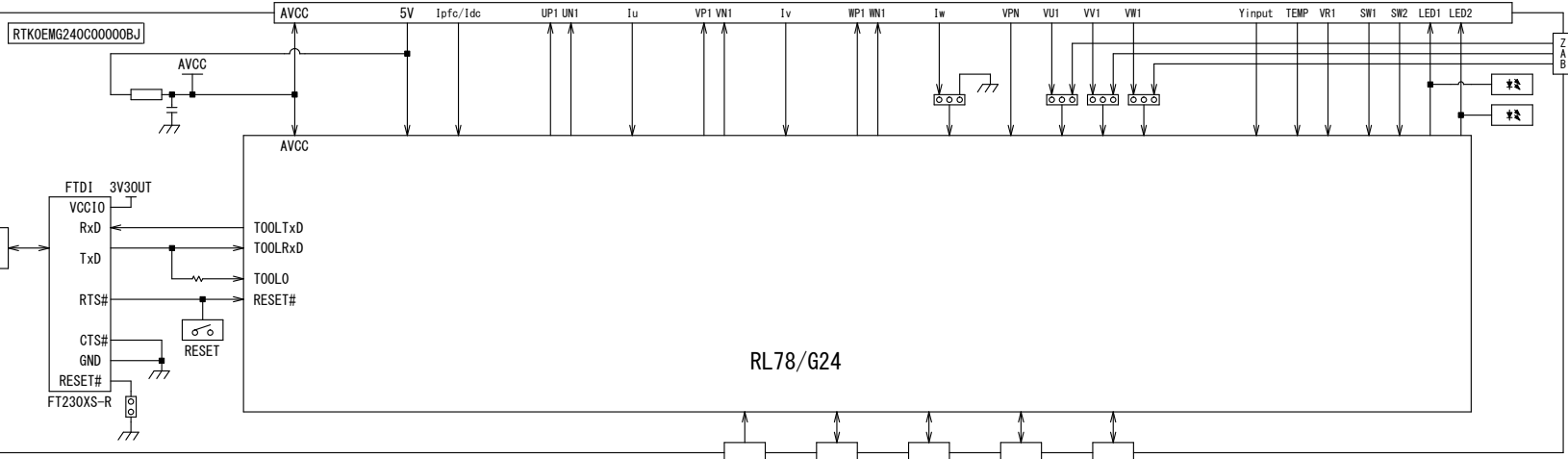
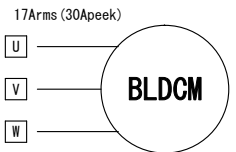
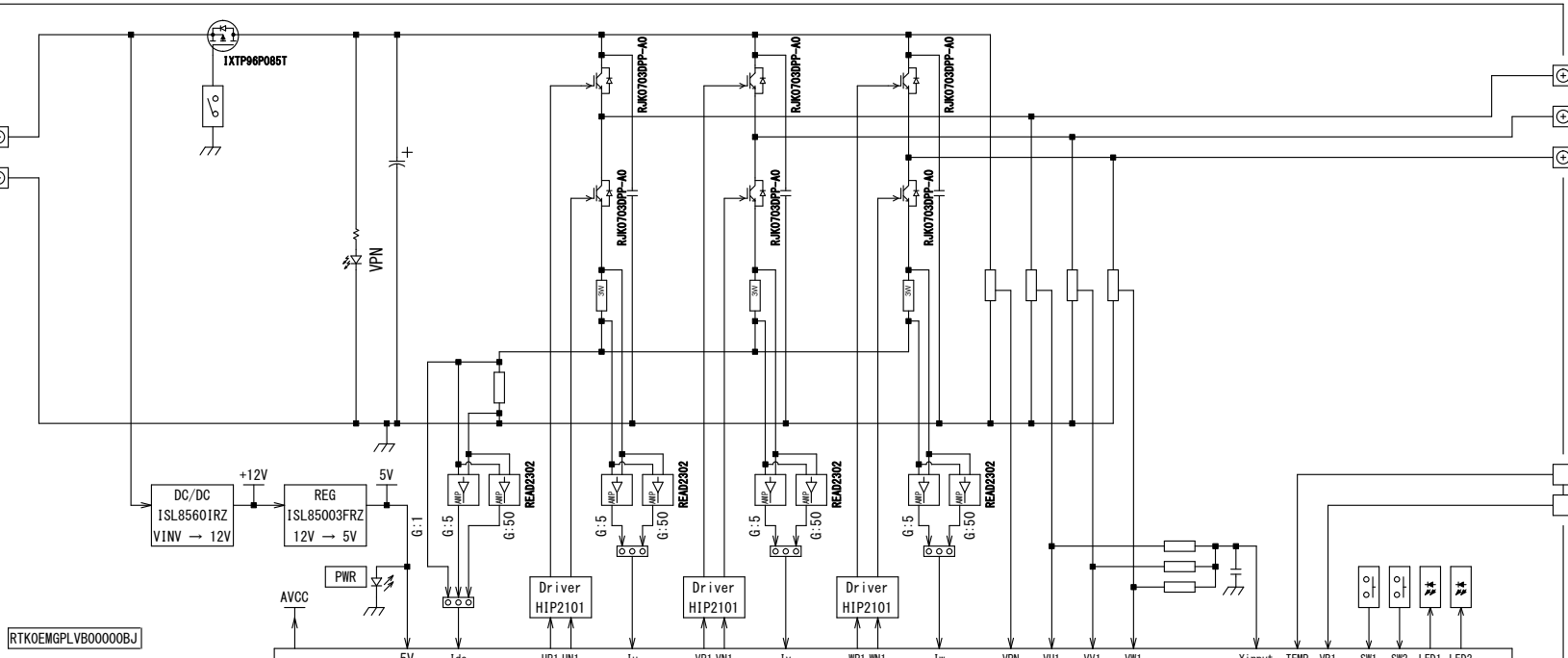


For the pin setting that controls RESET#, set the debugger property settings to RTS.

Title		RL78/G24 CPU CARD	
Size	A2	Number	RTKOEMG240C00000BJ
Date	2022/04/25	Rev	1.00
Sheet		2 of 4	



Vin :
DC12V ~ DC50V



For the pin setting that controls RESET#, set the debugger property settings to RTS.

HALL UART0 UART1 UART2

Title		RL78/G24 CPU CARD	
Size	Number	Rev	
A2	RTKOEMG240C00000BJ	1.00	
Date	2022/04/25		
			Sheet 3 of 4

A

B

C

D

E

F

History

Rev.	Date	Page	Summary
1.0	2022/4/25	—	First edition

1

1

2

2

3

3

4

4

Title		RL78/G24 CPU CARD	
Size	Number	Rev	
A2	RTKOEMG240C00000BJ	1.00	
Date	2022/04/25		
		Sheet 4 of 4	

A

B

C

D

E

F