


Target Board for RX140 Schematic
(Product No: RTK5RX1400C00000BJ)

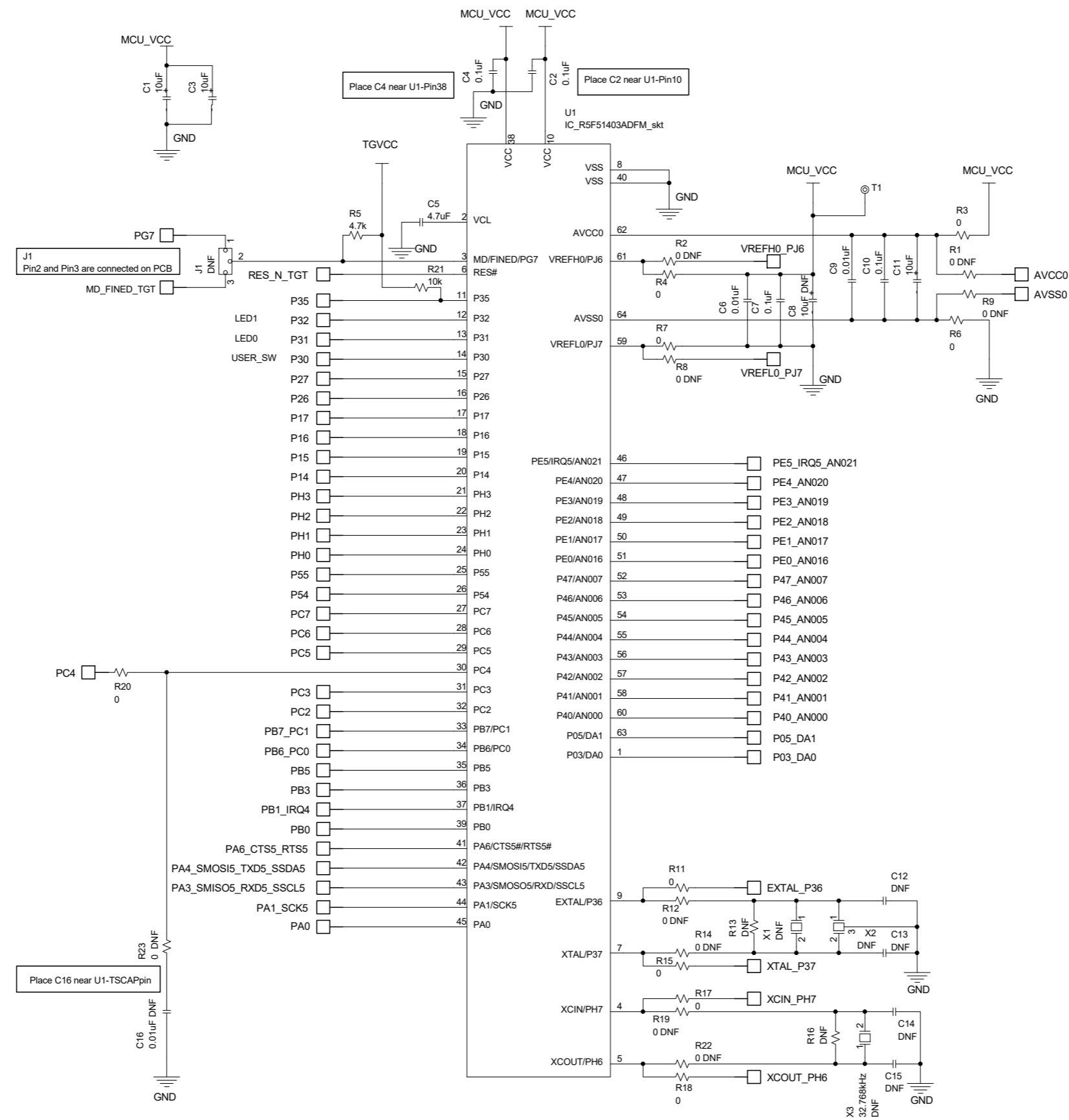
PAGE	DESCRIPTION
1	Index
2	MAIN
3	USER BLOCK
4	Emulator Circuit

Note:

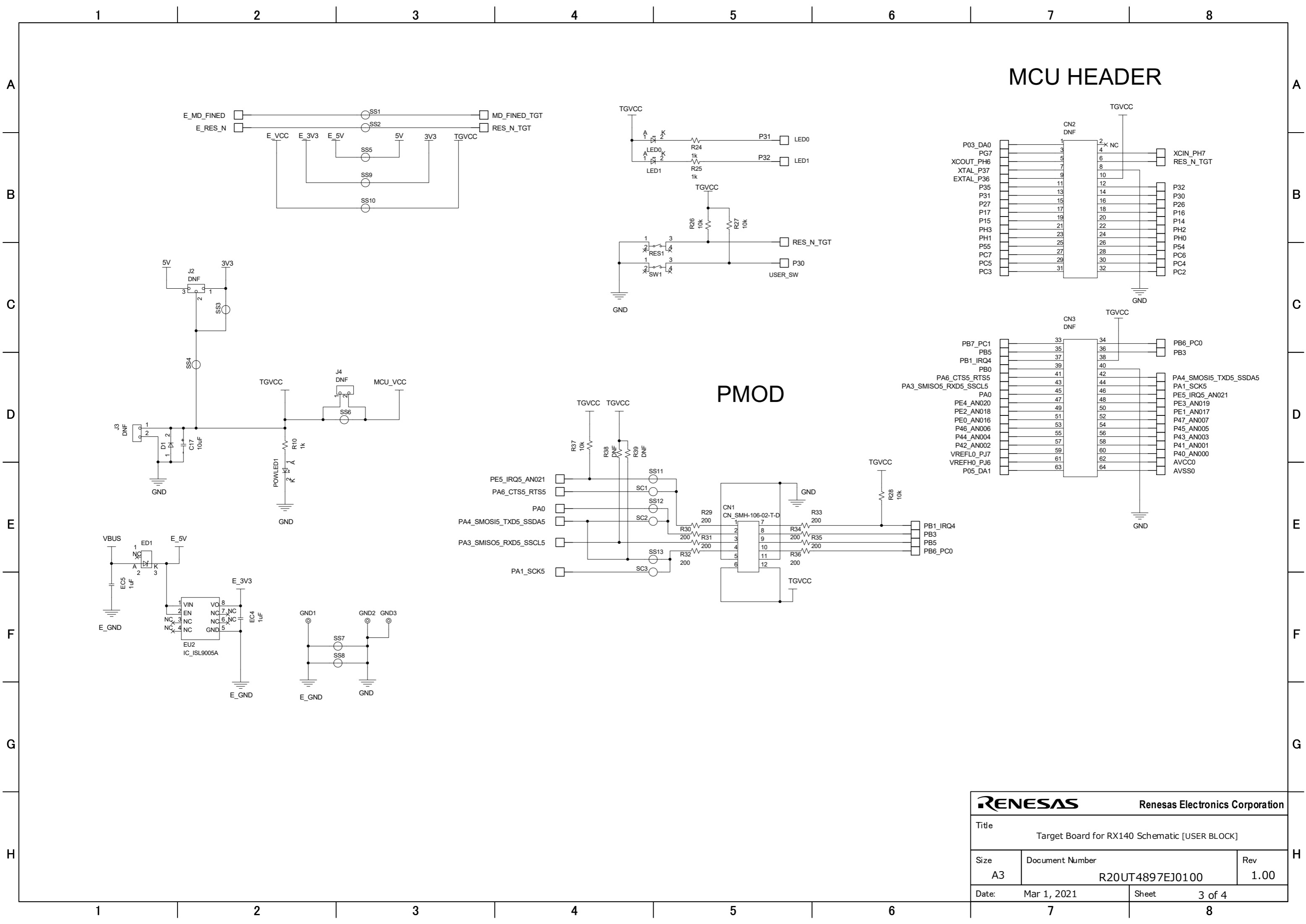
- C, EC : Capacitor
- D : Diode
- R : Fixed Resistor
- U, EU : Integrated Circuit
- X : Crystal, Oscillator
- SW, RES : Switch
- LED : Light Emitting Diode
- J, CN : Connector
- N.C. : Not connected
- ⊖ SS : Short-pad Short-type(Default : Short)
- ⊖ SO : Short-pad Open-type(Default : Open)

* "DNF" marking means that component is not fitted by default.

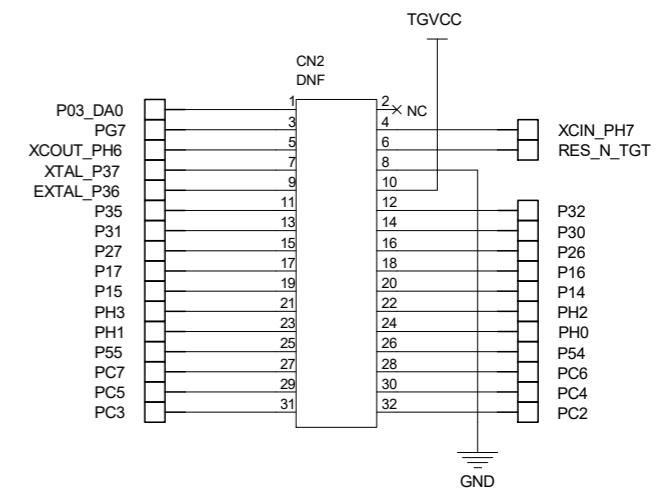
		Renesas Electronics Corporation	
Title Target Board for RX140 Schematic [Index]			
Size A3	Document Number R20UT4897EJ0100		Rev 1.00
Date: Mar 1, 2021	Sheet 1 of 4		



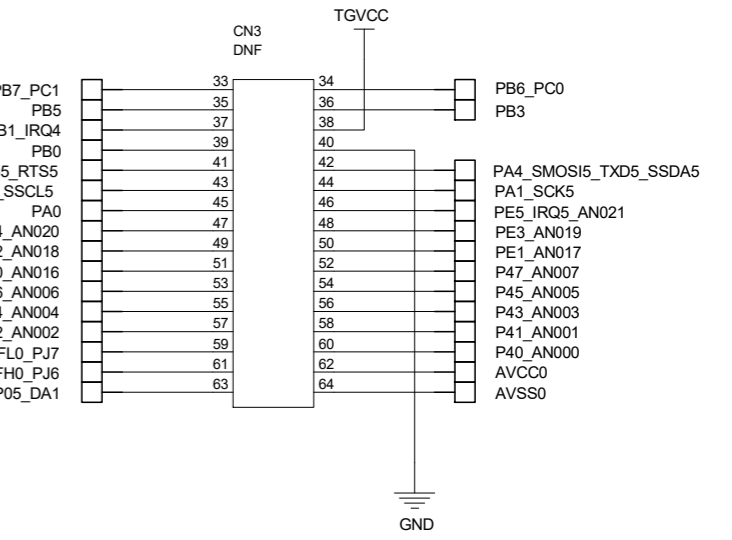
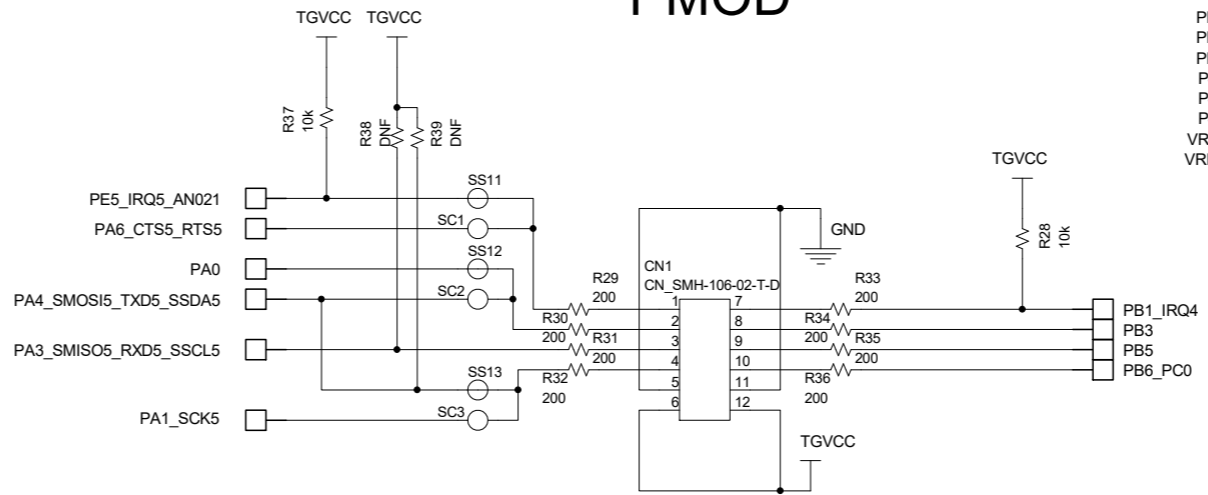
RENESAS		Renesas Electronics Corporation	
Title Target Board for RX140 Schematic [MAIN]			
Size A3	Document Number R20UT4897EJ0100	Rev 1.00	
Date: Mar 1, 2021	Sheet 2 of 4		



MCU HEADER



PMOD



RENESAS		Renesas Electronics Corporation	
Title Target Board for RX140 Schematic [USER BLOCK]			
Size A3	Document Number R20UT4897EJ0100	Rev 1.00	
Date: Mar 1, 2021	Sheet 3 of 4		

1 2 3 4 5 6 7 8

A

A

B

B

C

C

D

D

E

E

F

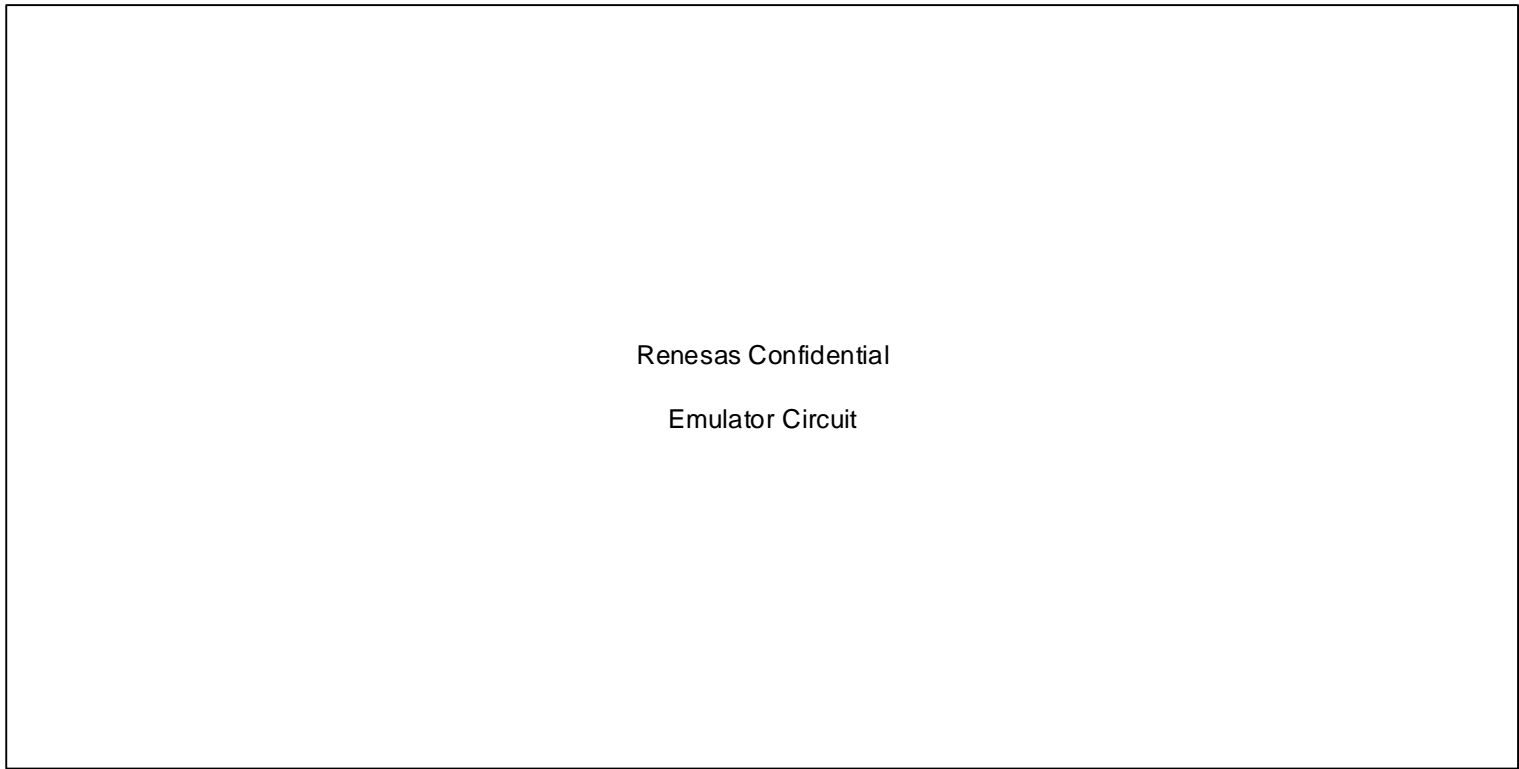
F

G

G

H

H



RENESAS		Renesas Electronics Corporation	
Title Target Board for RX140 Schematic [Emulator Circuit]			
Size A3	Document Number R20UT4897EJ0100		Rev 1.00
Date:	Mar 1, 2021	Sheet	4 of 4

1 2 3 4 5 6 7 8