

Target Board for RX660 Schematic
(Product No: RTK5RX6600C00000BJ)

PAGE	DESCRIPTION
1	Index
2	Target MCU
3	Target MCU peri, Power
4	Emulator Circuit

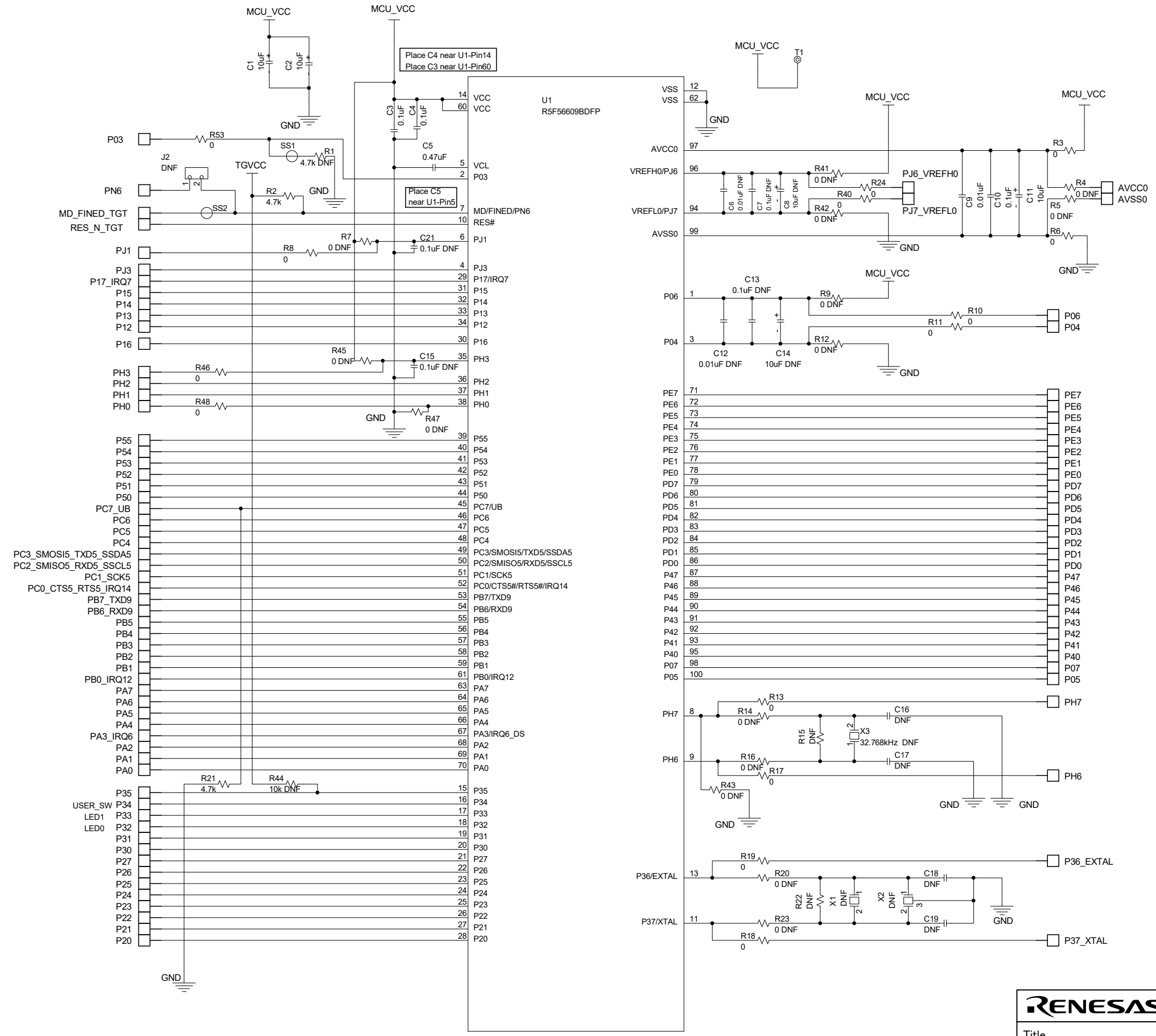
Note:

C, EC : Capacitor
D, ED : Diode
R : Fixed Resistor
U, EU : Integrated Circuit
X : Crystal, Oscillator
SW, RES : Switch
LED : Light Emitting Diode
J, CN : Connector
T : Test Point
N.C. : Not connected

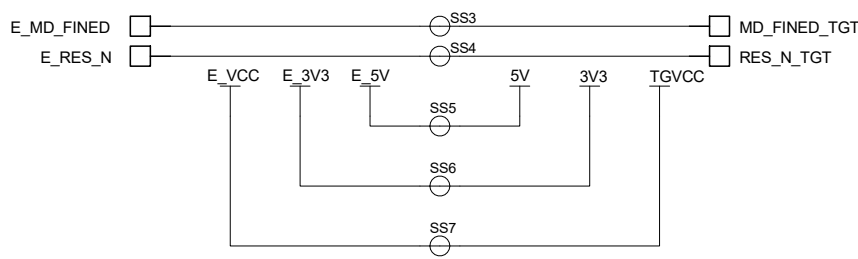
⊖ SS : Short-pad Short-type(Default : Short)
⊖ SO : Short-pad Open-type(Default : Open)

* "DNF" marking means that component
is not fitted by default.

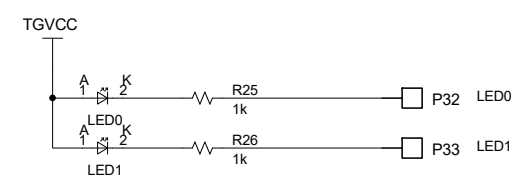
RENESAS		Renesas Electronics Corporation	
Title Target Board for RX660 Schematic [Index]			
Size A3	Document Number R20UT5067EJ0100	Rev 1.00	
Date: March 11, 2022	Sheet	1 of 4	



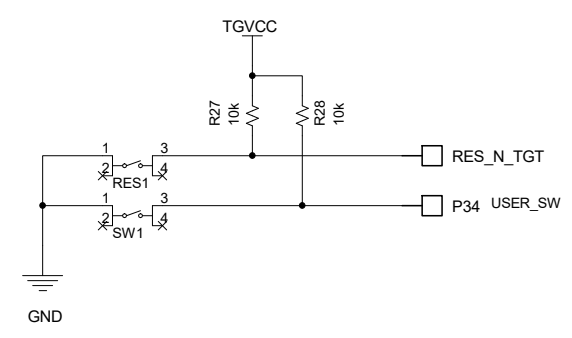
RENESAS		Renesas Electronics Corporation	
Title Target Board for RX660 Schematic [Target MCU]			
Size A3	Document Number R20UT5067EJ0100	Rev 1.00	
Date: March 11, 2022	Sheet 2 of 4		



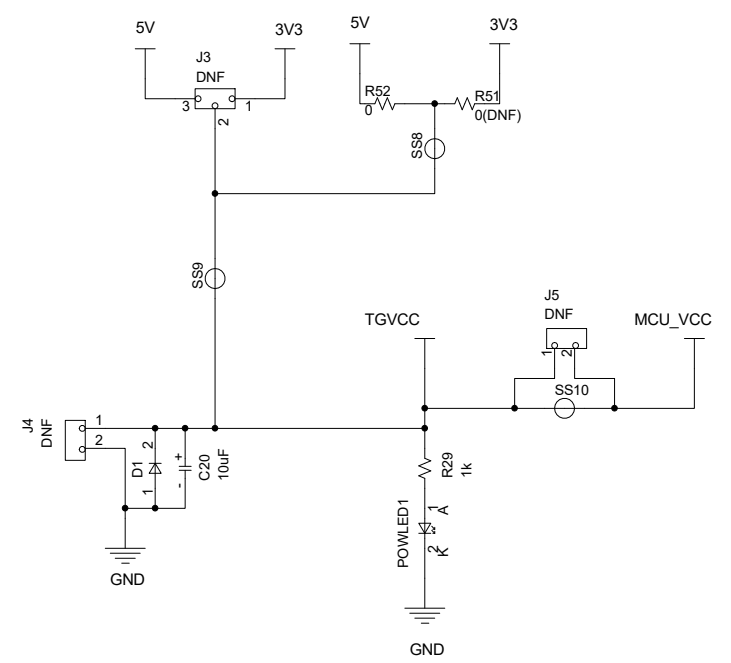
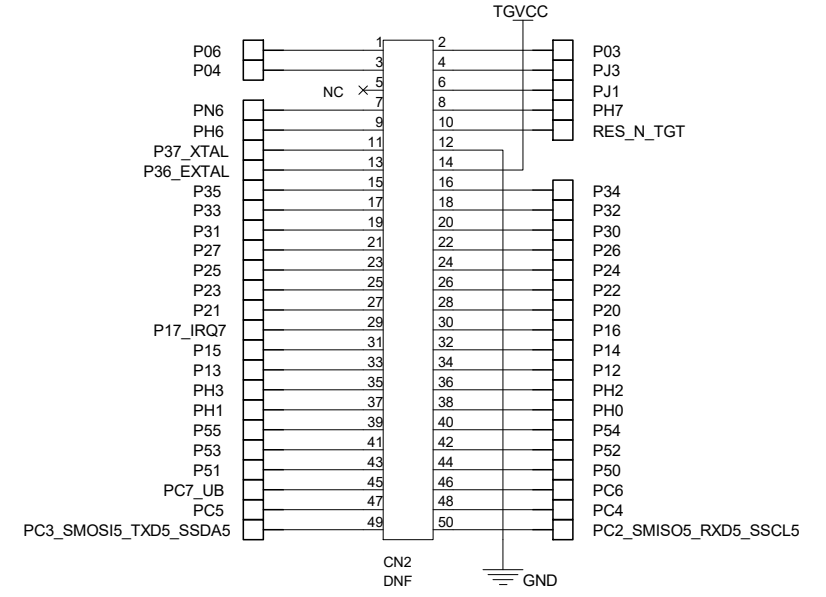
LED



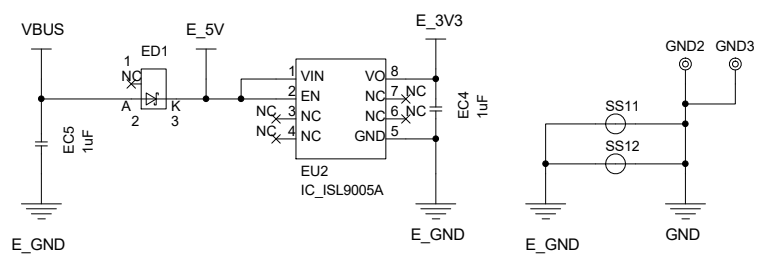
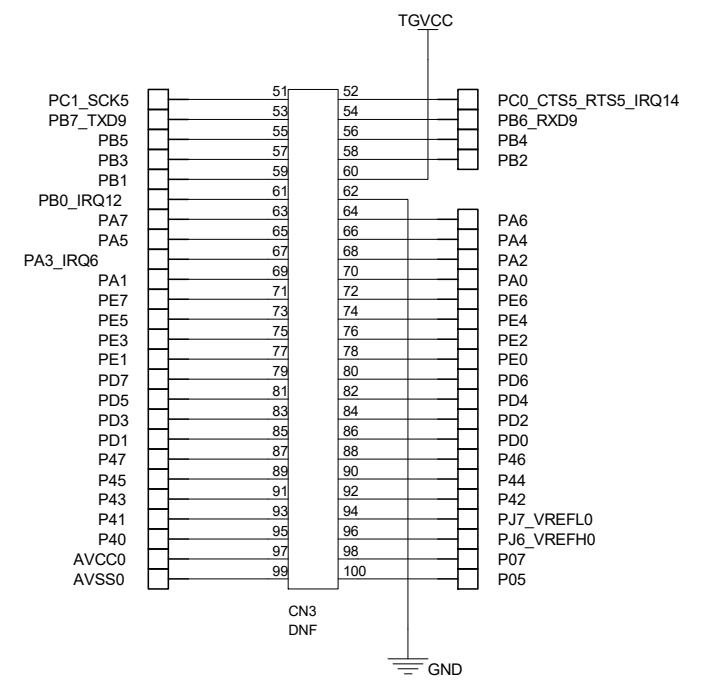
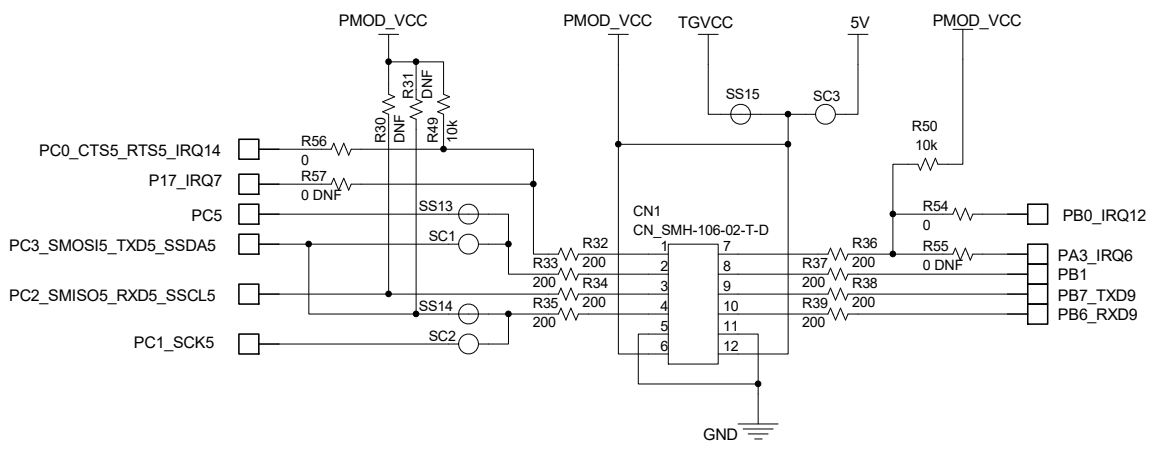
Switch



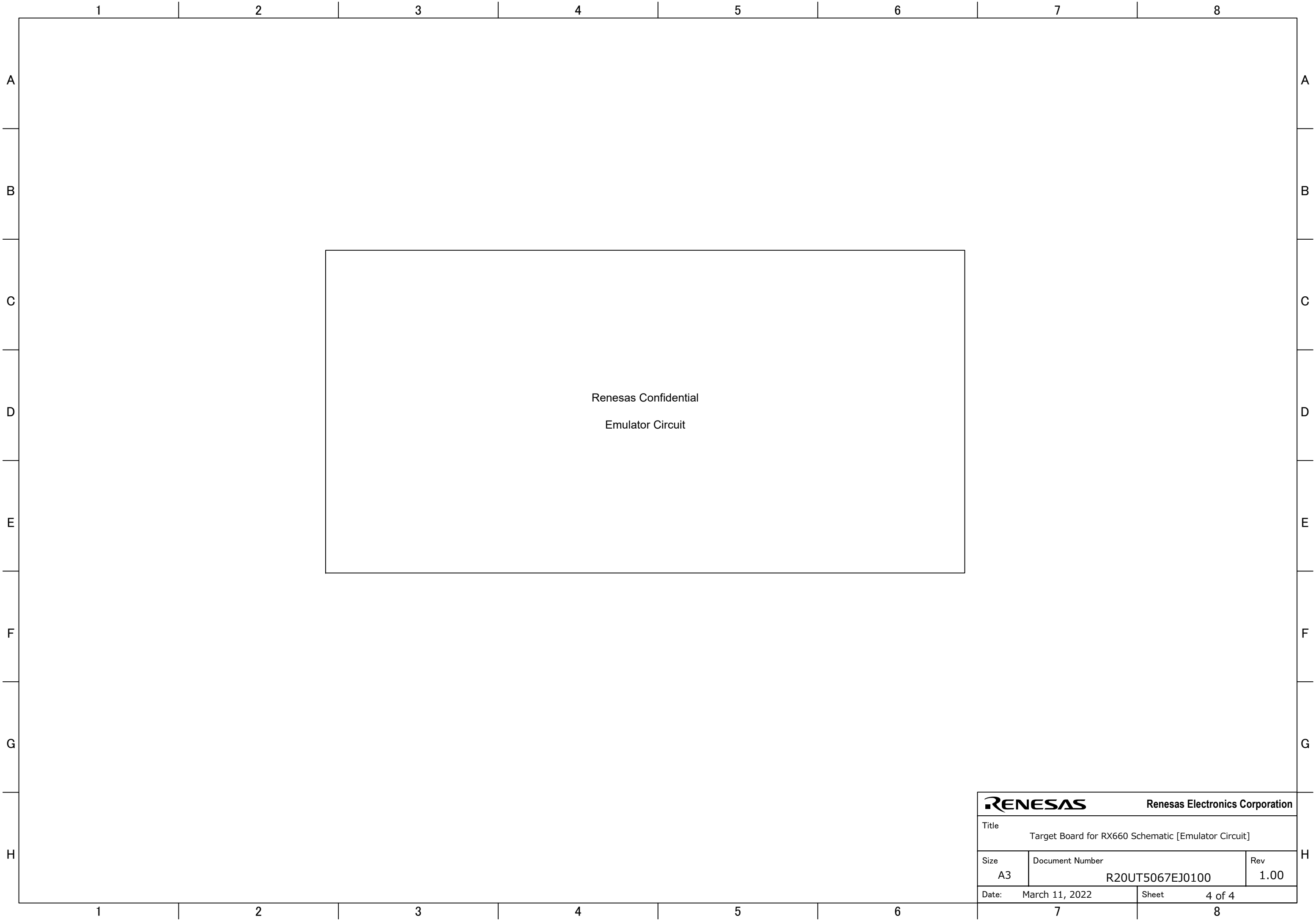
MCU HEADER



PMOD



RENESAS		Renesas Electronics Corporation	
Title Target Board for RX660 Schematic [Target MCU peri, Power]			
Size A3	Document Number R20UT5067EJ0100		Rev 1.00
Date:	March 11, 2022	Sheet	3 of 4



Renesas Confidential
Emulator Circuit

RENESAS		Renesas Electronics Corporation	
Title Target Board for RX660 Schematic [Emulator Circuit]			
Size A3	Document Number R20UT5067EJ0100		Rev 1.00
Date:	March 11, 2022	Sheet	4 of 4