

Target Board for RX671 Schematic
(Product No: RTK5RX6710C00000BJ)

PAGE	DESCRIPTION
1	Index
2	MAIN
3	USER BLOCK
4	Emulator Circuit

Note:

C, EC : Capacitor

D : Diode

R : Fixed Resistor

U, EU : Integrated Circuit

X : Crystal, Oscillator

SW, RES : Switch

LED : Light Emitting Diode


J, CN : Connector

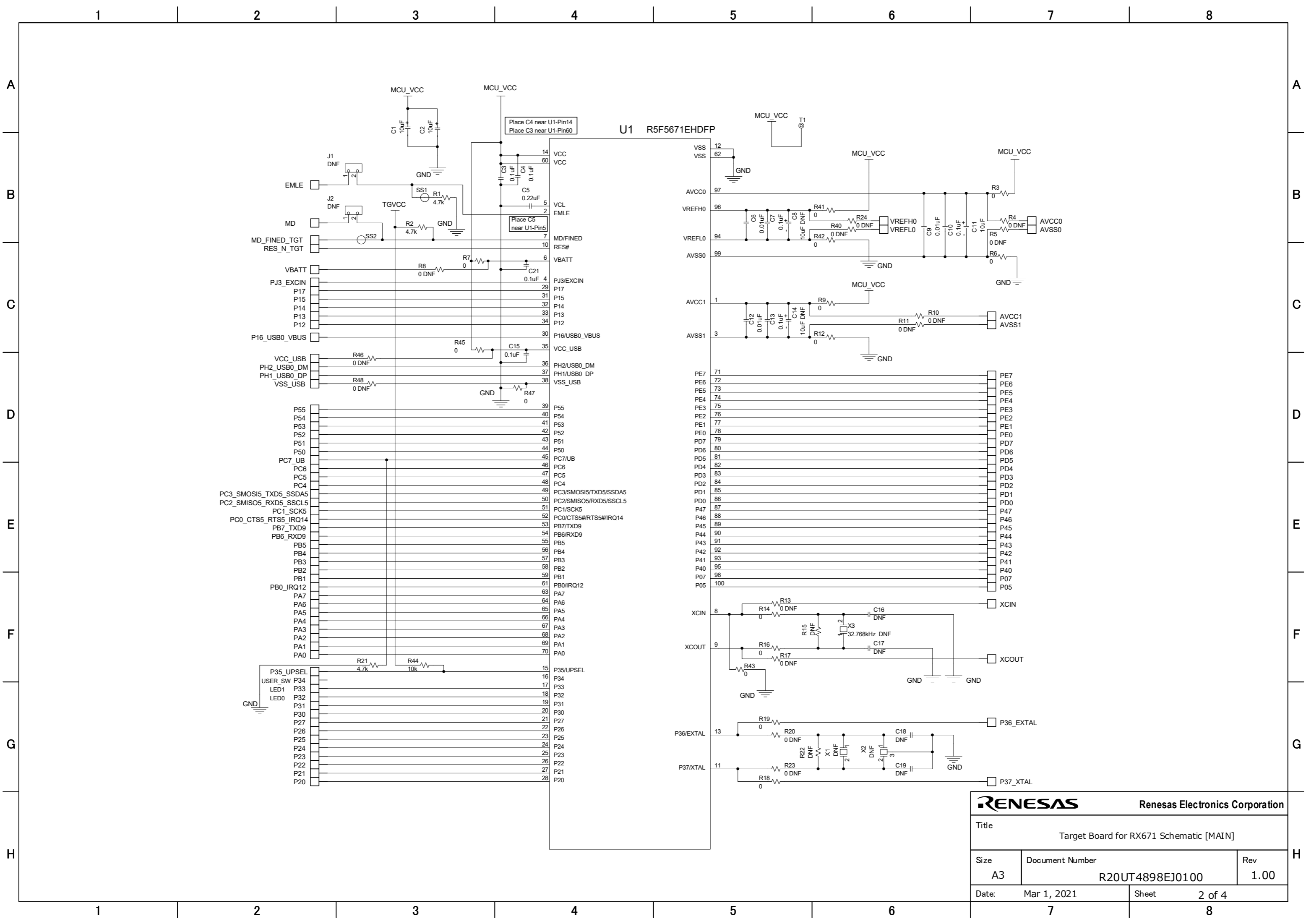
N.C. : Not connected

⊖ SS : Short-pad Short-type(Default : Short)

⊖ SO : Short-pad Open-type(Default : Open)

* "DNF" marking means that component is not fitted by default.

		Renesas Electronics Corporation	
Title Target Board for RX671 Schematic [Index]			
Size A3	Document Number R20UT4898EJ0100		Rev 1.00
Date: Mar 1, 2021	Sheet 1 of 4		



RENESAS		Renesas Electronics Corporation	
Title Target Board for RX671 Schematic [MAIN]			
Size A3	Document Number R20UT4898EJ0100	Rev 1.00	
Date: Mar 1, 2021	Sheet 2 of 4		

1 2 3 4 5 6 7 8

A A

B B

C C

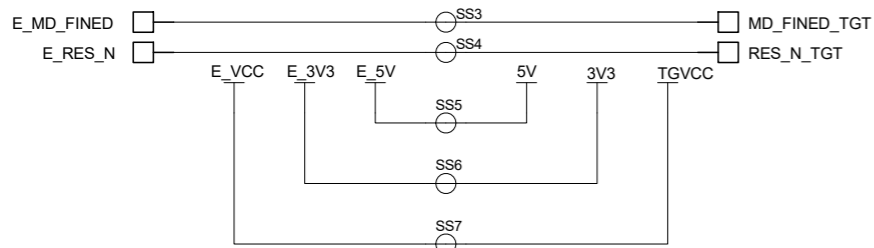
D D

E E

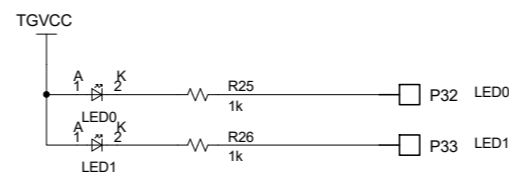
F F

G G

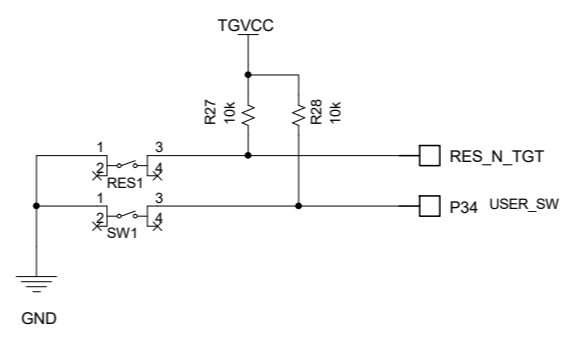
H H



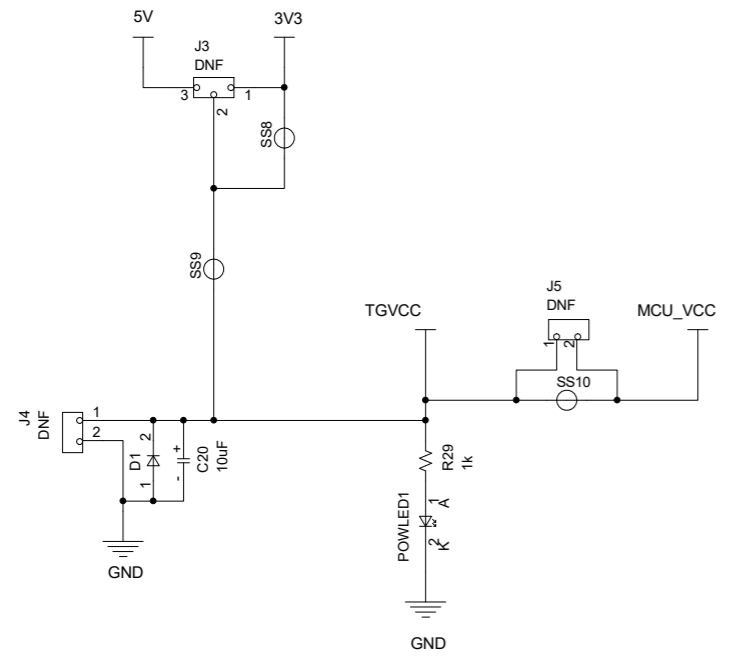
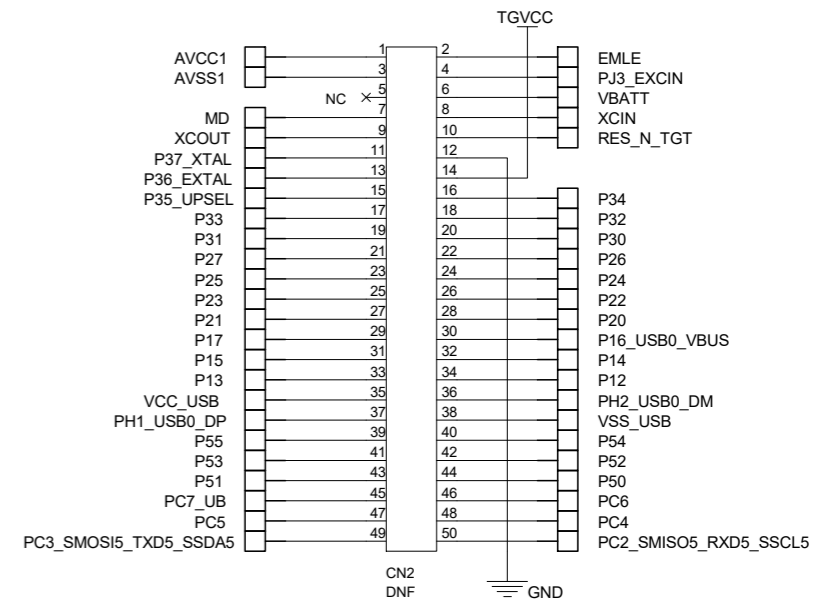
LED



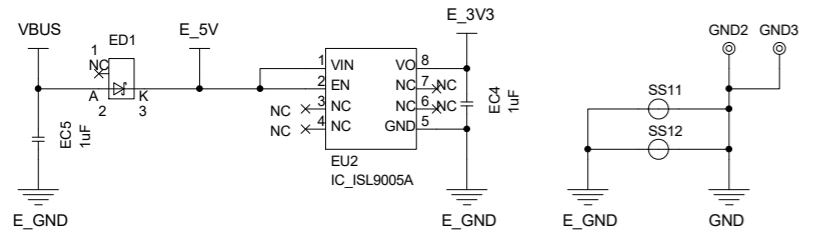
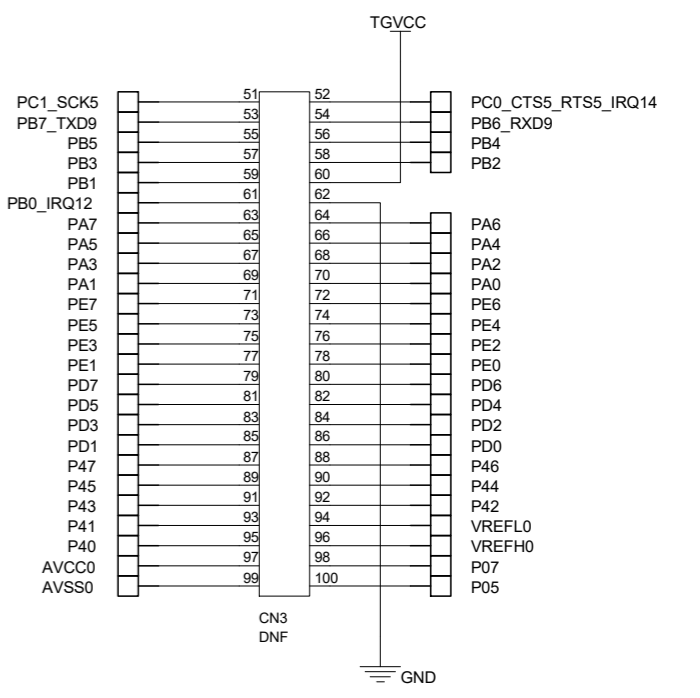
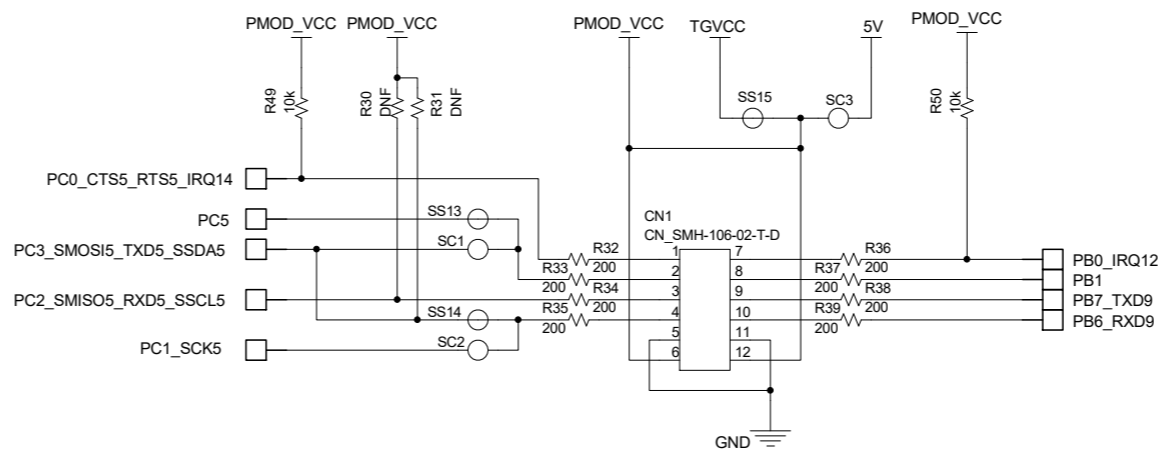
Switch



MCU HEADER



PMOD



RENESAS		Renesas Electronics Corporation	
Title Target Board for RX671 Schematic [USER BLOCK]			
Size A3	Document Number R20UT4898EJ0100	Rev 1.00	
Date:	Mar 1, 2021	Sheet	3 of 4

1 2 3 4 5 6 7 8

1 2 3 4 5 6 7 8

A

A

B

B

C

C

D

D

E

E

F

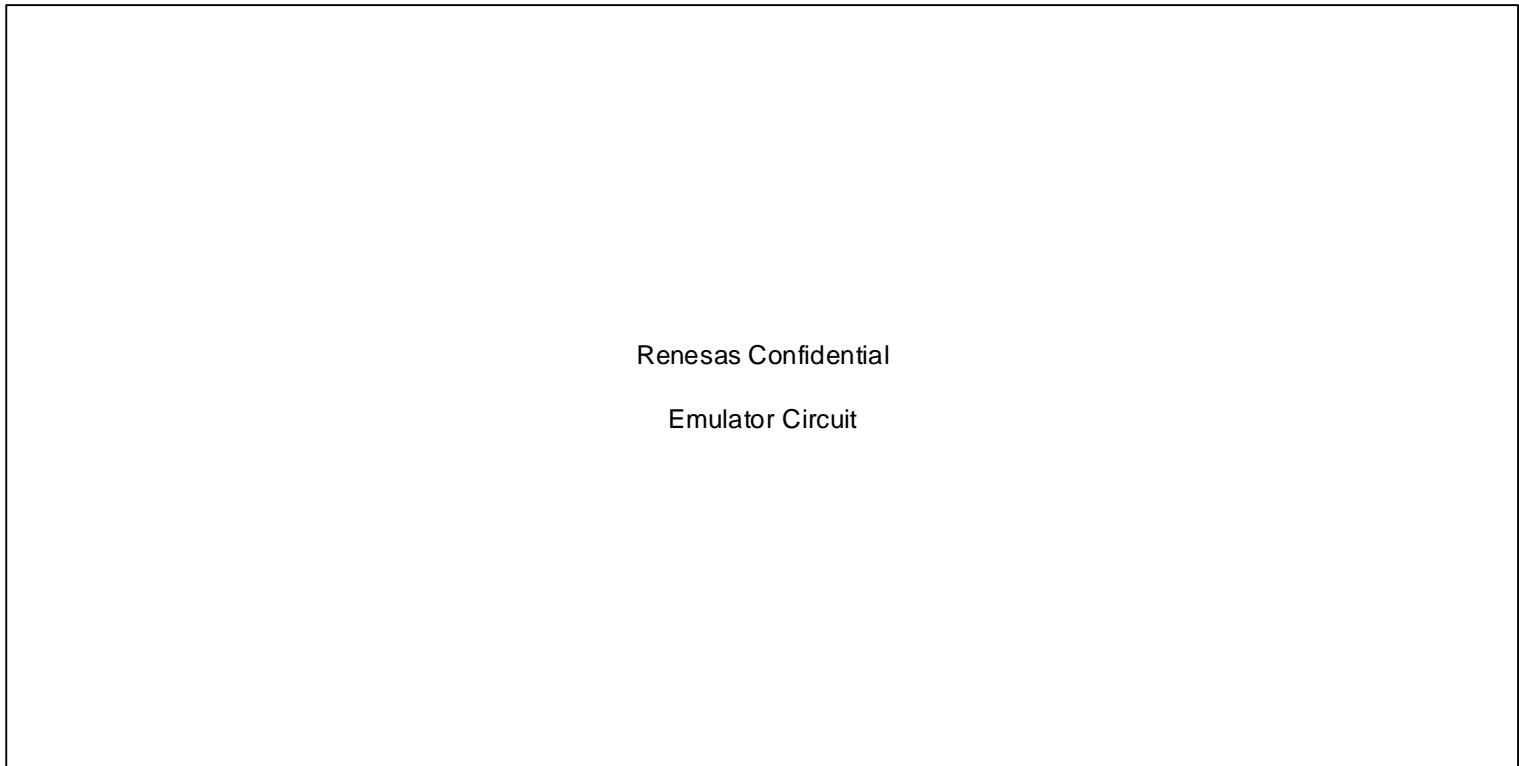
F

G

G

H

H



RENESAS		Renesas Electronics Corporation	
Title Target Board for RX671 Schematic [Emulator Circuit]			
Size A3	Document Number R20UT4898EJ0100		Rev 1.00
Date:	Mar 1, 2021	Sheet	4 of 4

1 2 3 4 5 6 7 8