

1

2

3

4

5

6

7

IDT Tsi340 Evaluation Board

SLOT1

SLOT2

SLOT3

SLOT4

J4

J3

J2

J1

PCI 32bit Universal
Finger Connector Page 3

TSI340
Page 2

PCI Connector Page 4

PCI Connector Page 5

PCI Connector Page 6

Right Angle PCI Connector Page 7I

TITLE :
TSI340 EVALUATION BOARD

| | | | |
|------------------|-----------------------------------|-------------------|------------|
| SIZE C | DRAWING NUMBER : 60E3000_SC001 | Version: Rev 0 | DESIGNER : |
|------------------|-----------------------------------|-------------------|------------|

| | | |
|---|------------|---------|
| LAST MODIFIED DATE : 3-20-2007 12:09 | SHEET 1 | OF 7 |
|---|------------|---------|

1

2

3

4

5

6

7

F

F

E

E

D

D

C

C

B

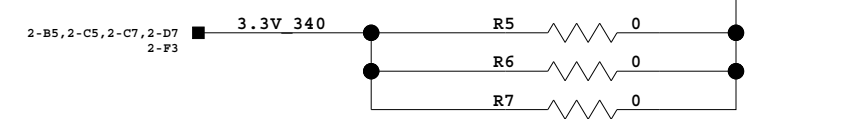
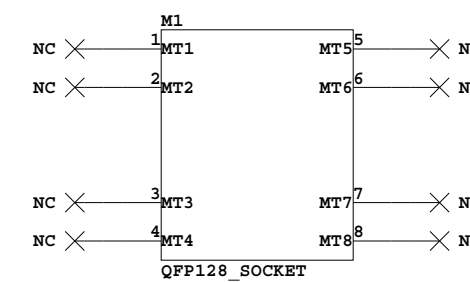
B

A

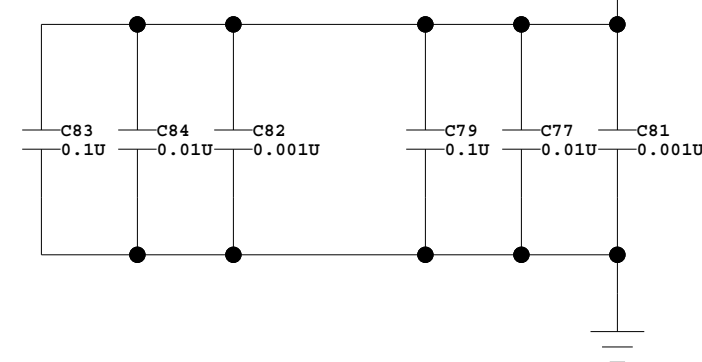
A

TSI340 PCI-to-PCI BRIDGE

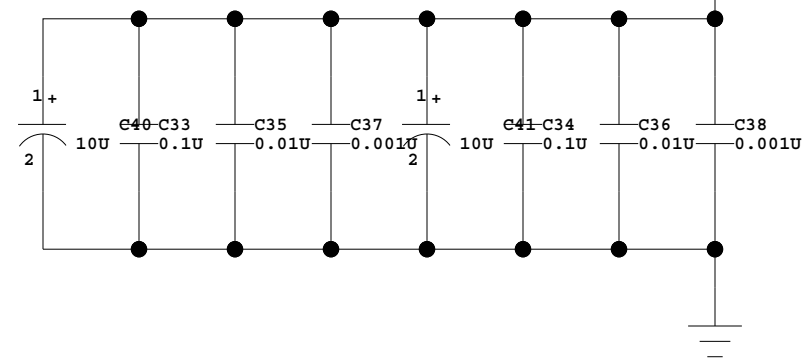
USE SOCKET FOOTPRINT FOR TSI340



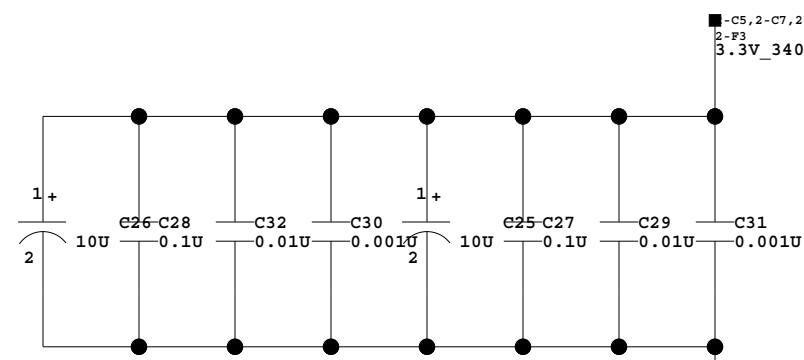
Note: Separate 3.3V from Tsi340 for the current measurement



Place these 4 sets of caps on bottom layer around Tsi340 corners



Place these 4 sets of caps on top layer around Tsi340 corners



| S1 Switch Setting | | | | |
|-------------------|------------|-------------|-----------|---------|
| BIT | Signal | ON | OFF | Default |
| 1 | P_CLKRUN#: | Pulled-Down | Test | ON |
| 2 | LOO: | Test | Pulled-Up | OFF |
| 3 | P_RST#: | Reset | Normal | OFF |
| 4 | PCI_M66EN: | 33MHz | 66MHz | OFF |
| 5 | S_CLKRUN#: | Pulled-Down | Test | ON |

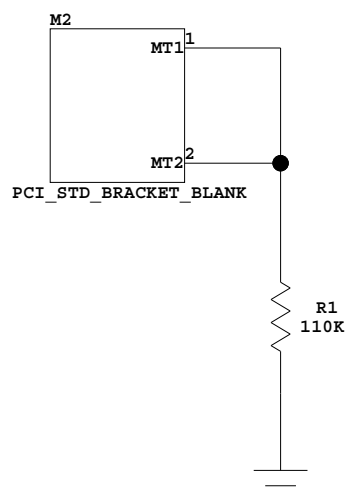
TITLE : TSI340

| | | | |
|------|------------------|----------|------------|
| SIZE | DRAWING NUMBER : | Version: | DESIGNER : |
| C | 60E3000_SC001 | | |

LAST MODIFIED DATE : 4-27-2007_12:41

SHEET 2 OF 7

**PCI 32bit Universal Finger Edge Connector
To Tsi340's primary interface**



Connect this ground directly on finger conn GND pin

P_AD[0:31]

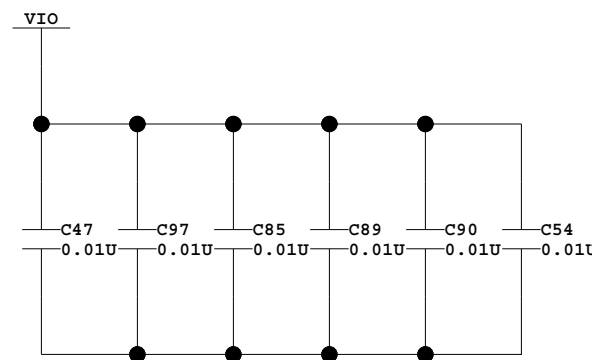
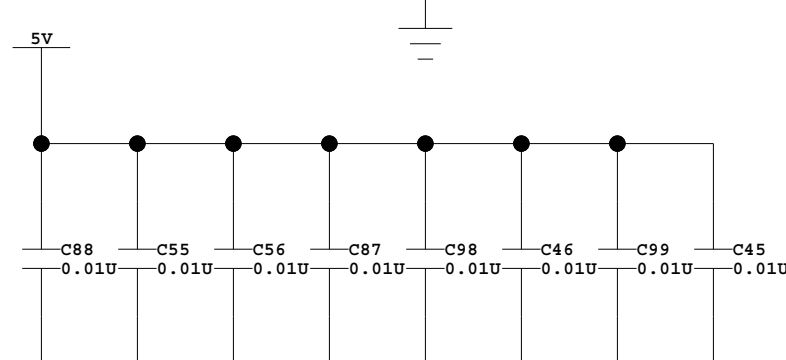
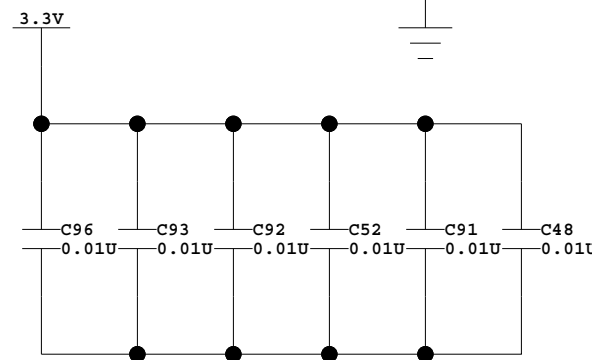
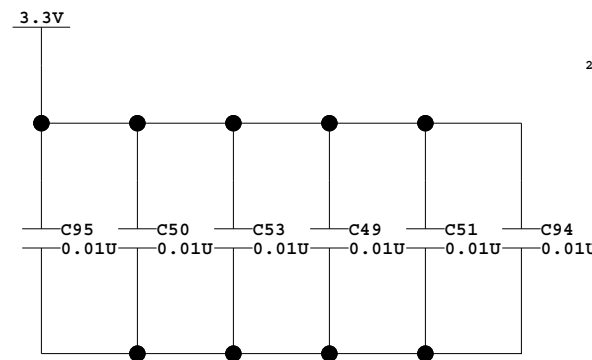
Note: Primary side VIO is not connected on this board

P_CBE#[0:3]

PCI INTB#
PCI INTD#

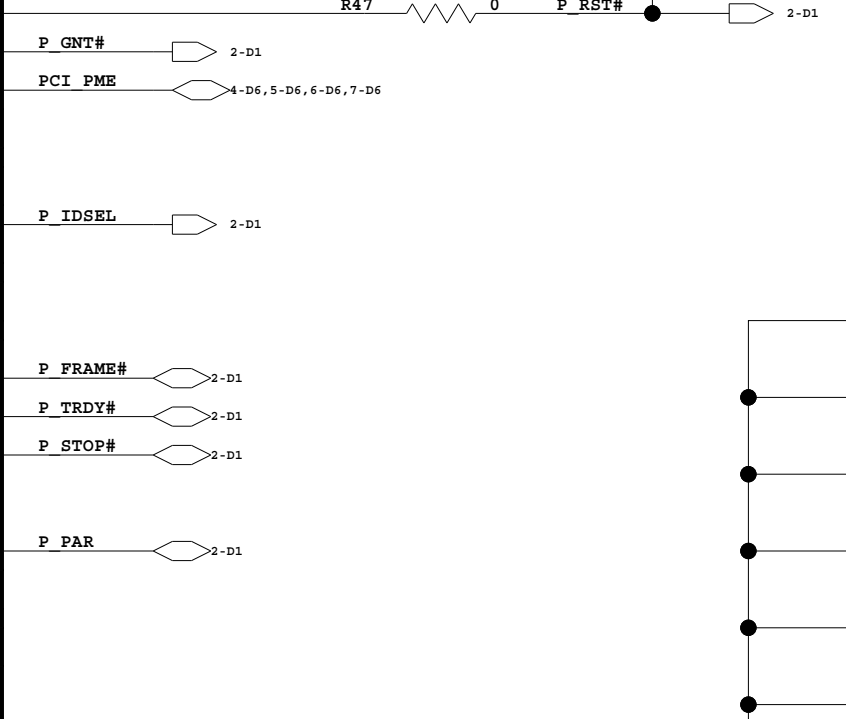
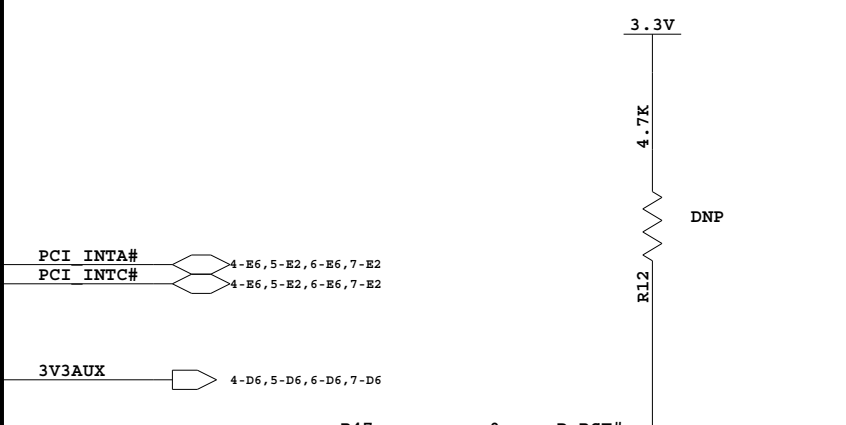
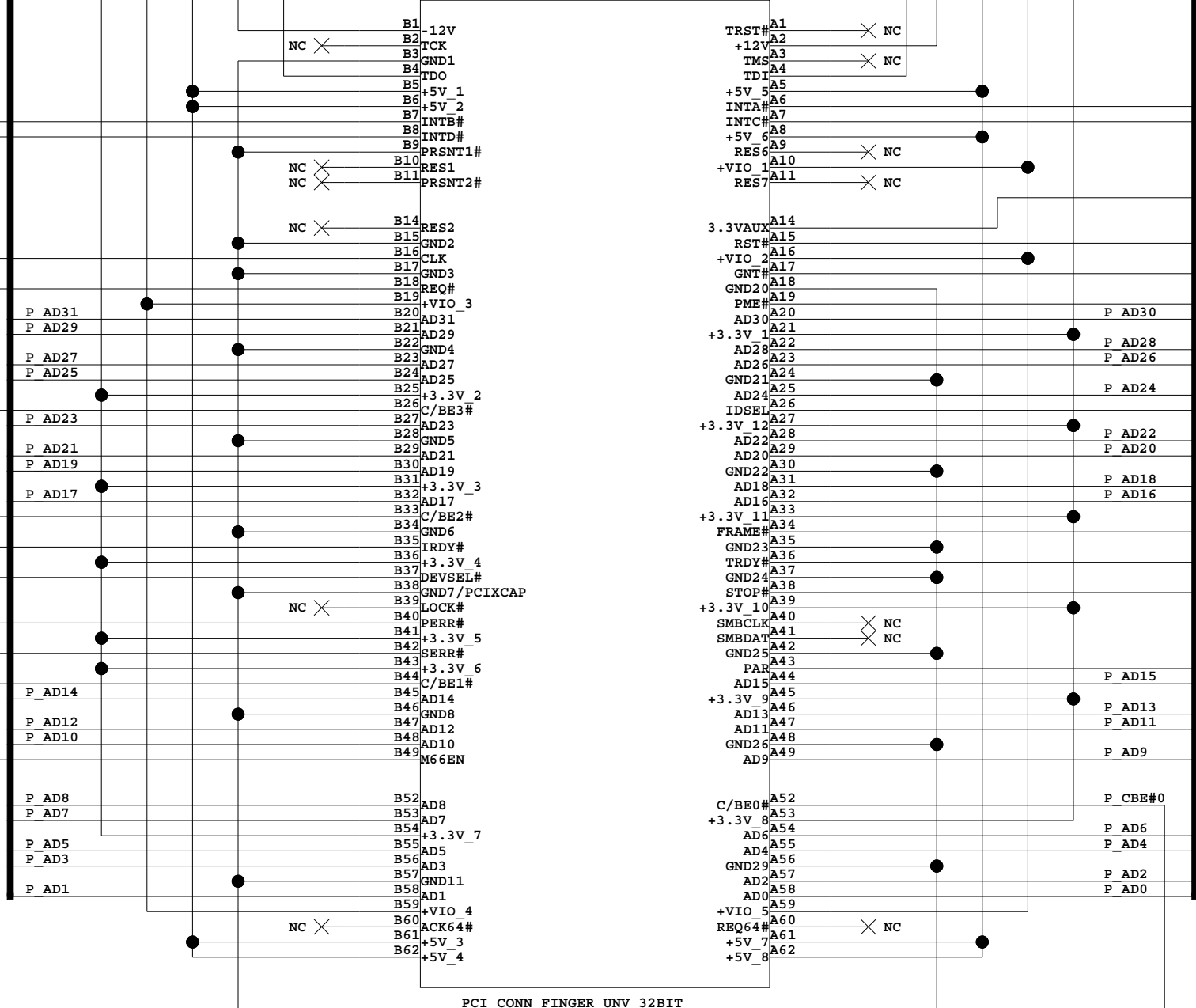
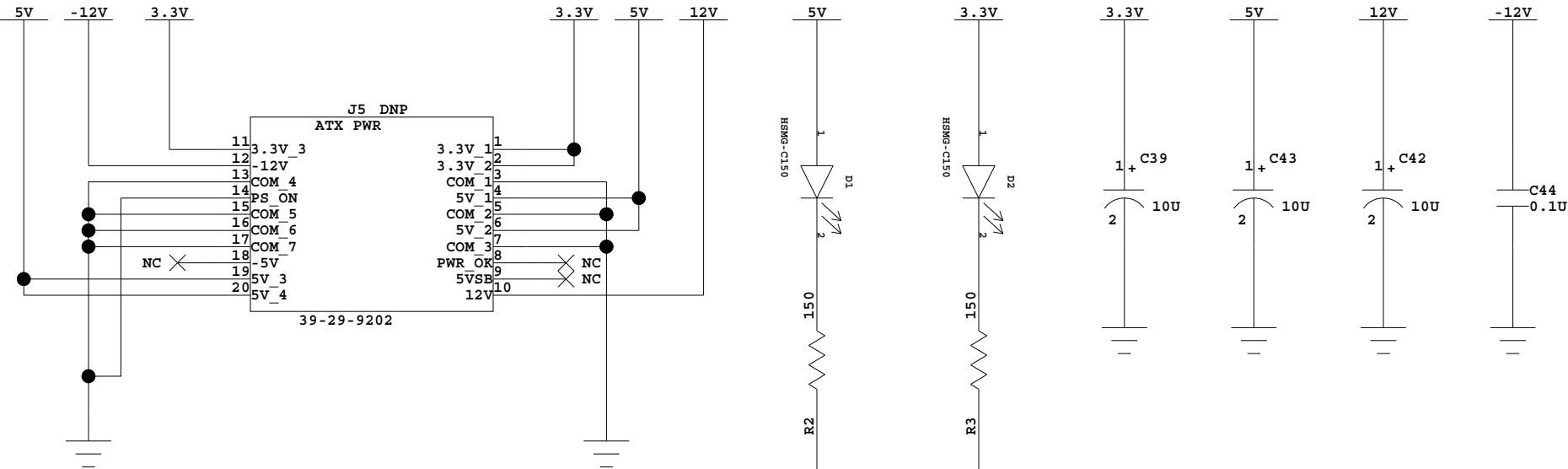
Note: PRSNT#[1:2]=01 indicates 25W

P_CLK
P_REQ#

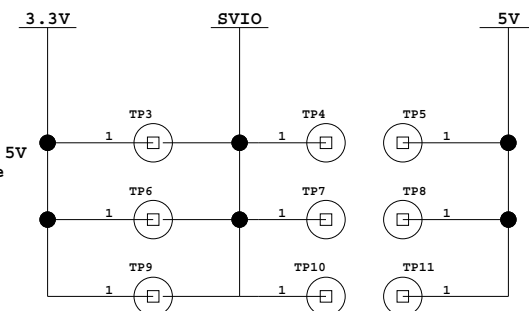


PCI M66EN

C86
0.01U

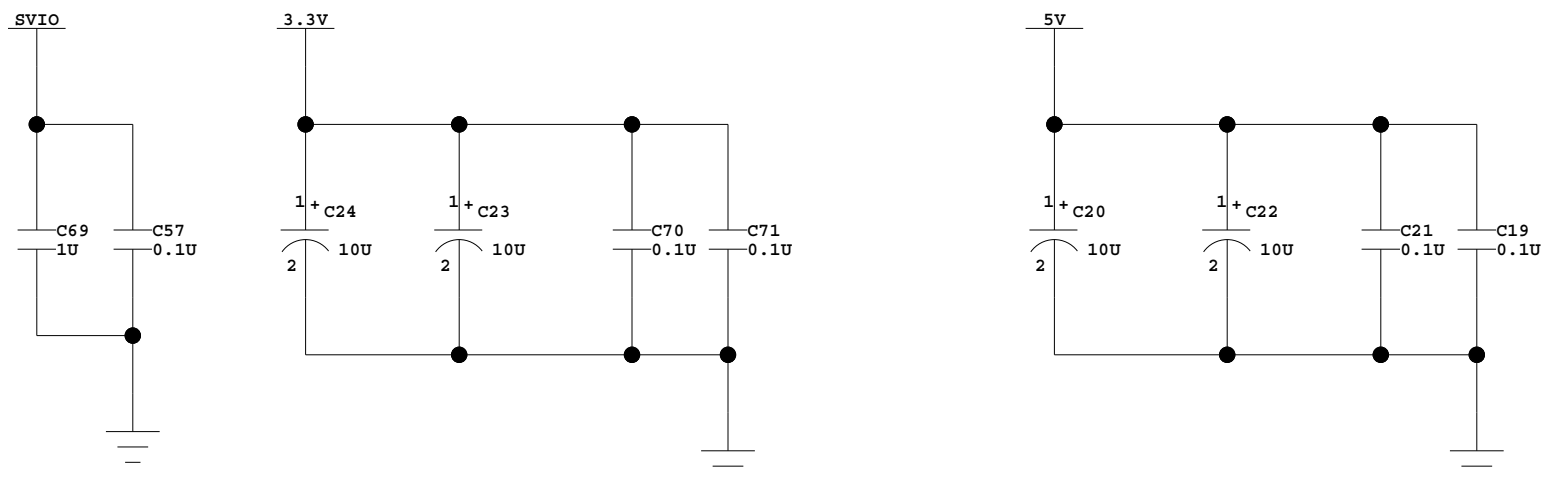
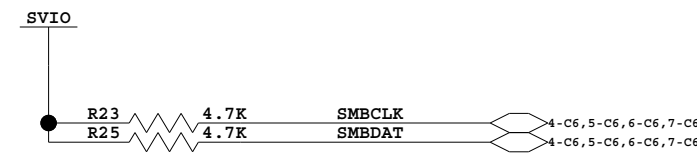
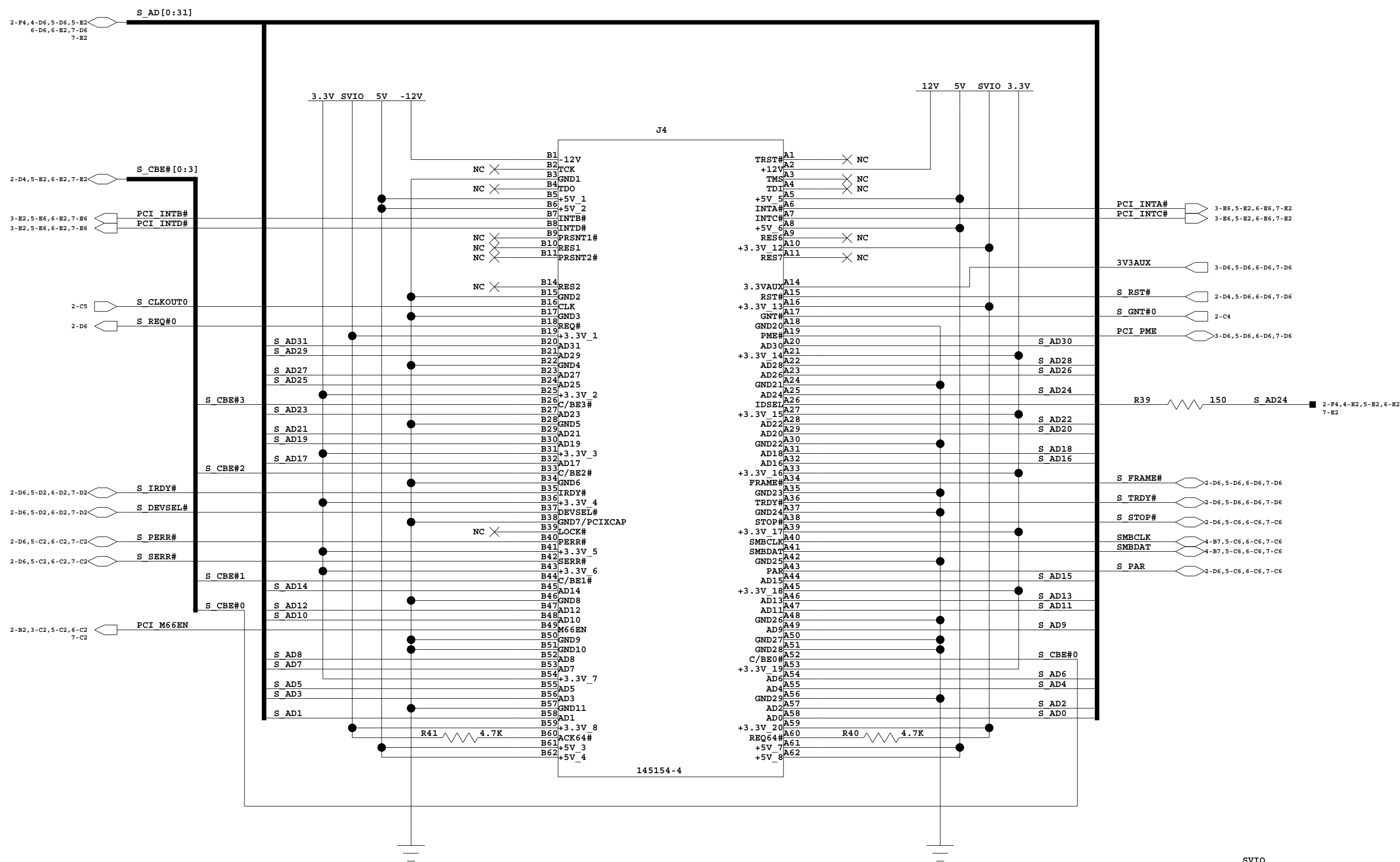


On the PCB, 3.3V and SVIO tracks must be cut and the 5V test point are wired to the SVIO test points.



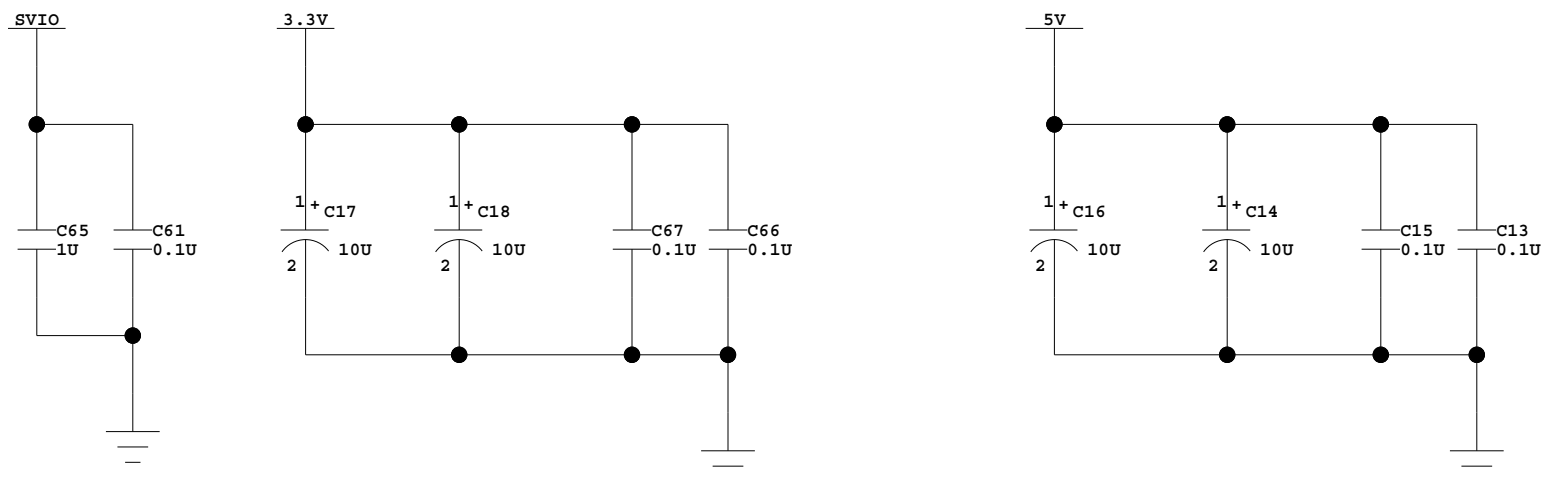
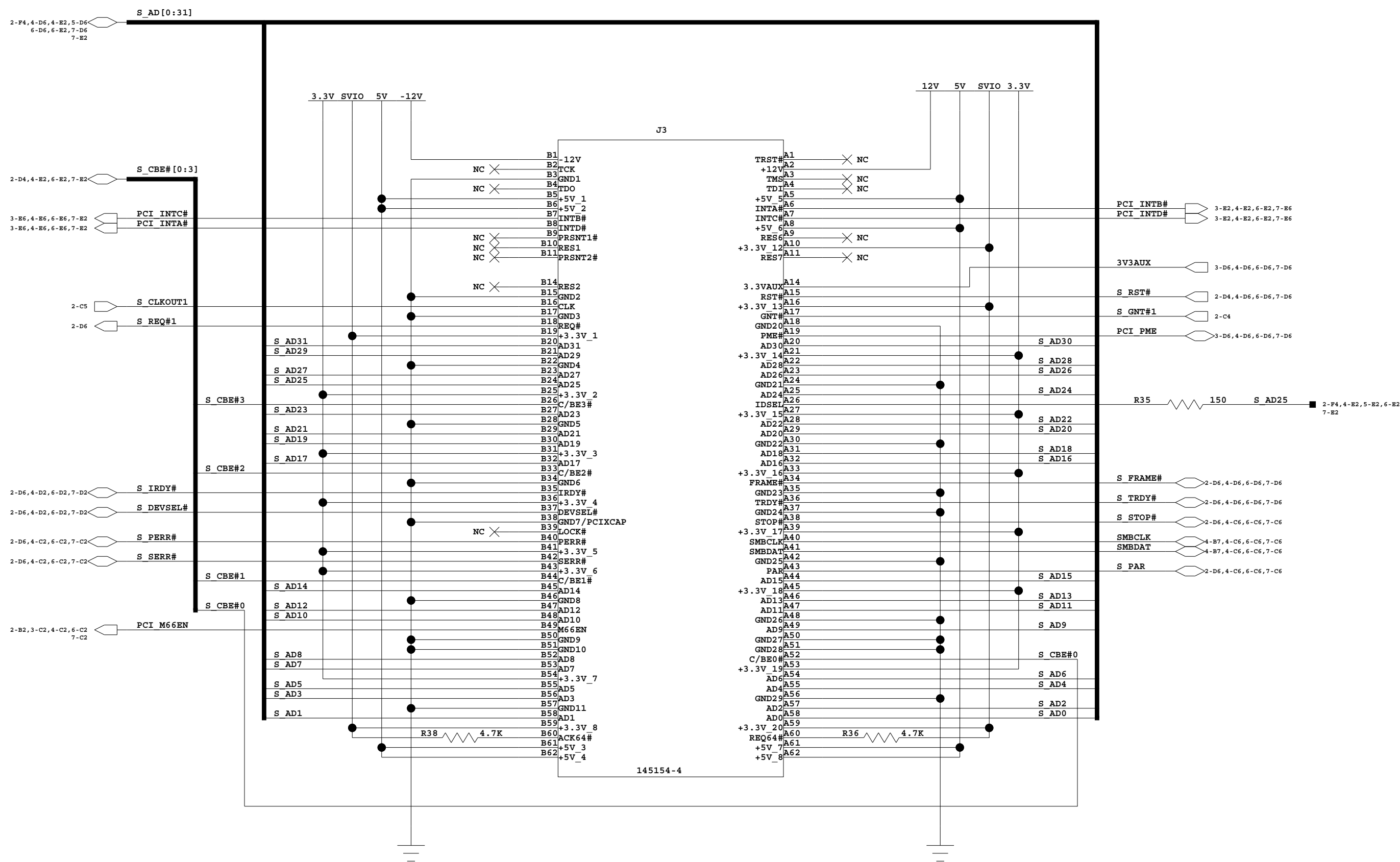
| | | | |
|---|-----------------------------------|--------------|------------|
| TITLE : PCI 32BIT UNIVERSAL FINGER EDGE CONNECTOR | | | |
| SIZE C | DRAWING NUMBER : 60E3000_SC001 | Version: | DESIGNER : |
| LAST MODIFIED DATE : 4-27-2007_12:41 | | SHEET 3 OF 7 | |

PCI 3.3V 32Bits Slot 1 Thru-hole Connector



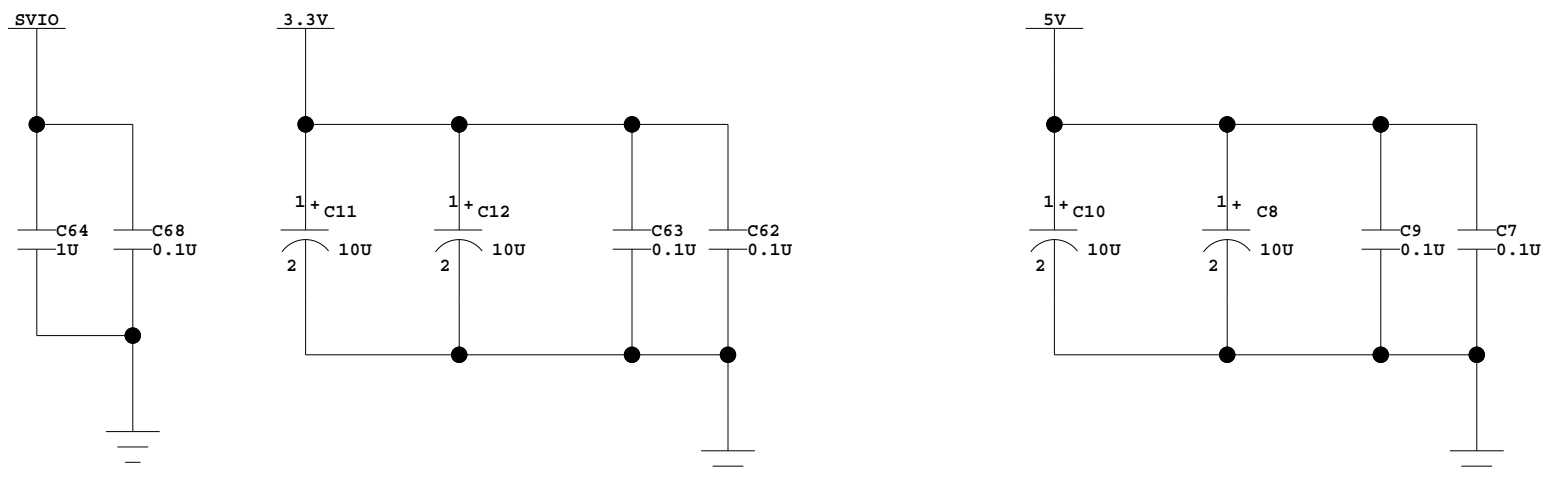
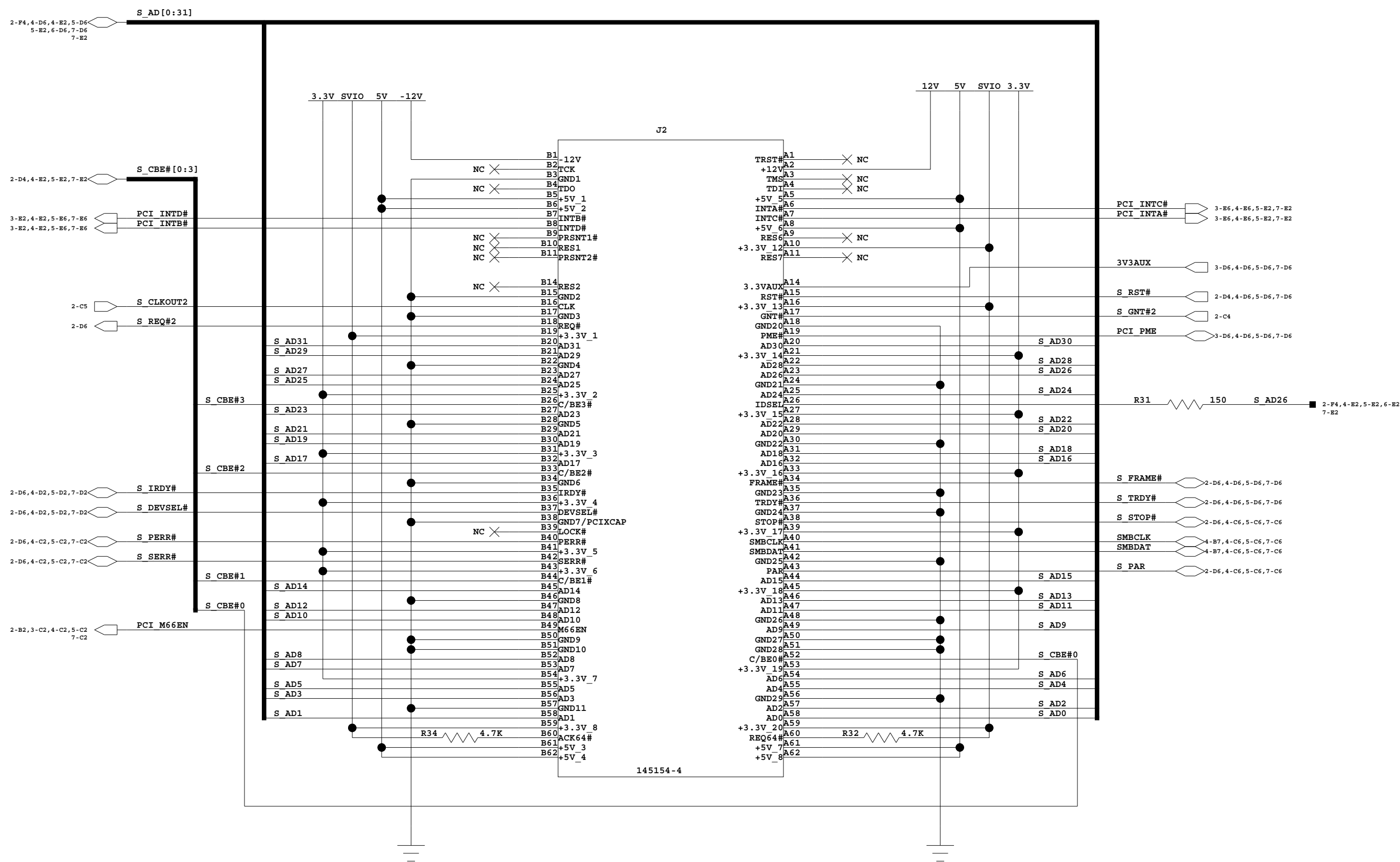
| | | | |
|--|-----------------------------------|--------------|------------|
| TITLE : PCI 3.3V 32BITS SLOT 1 THRU-HOLE CONNECTOR | | | |
| SIZE C | DRAWING NUMBER : 60E3000_SC001 | Version: | DESIGNER : |
| LAST MODIFIED DATE : 4-27-2007_12:41 | | SHEET 4 OF 7 | |

PCI 3.3V 32Bits slot 2 Thru-hole connector



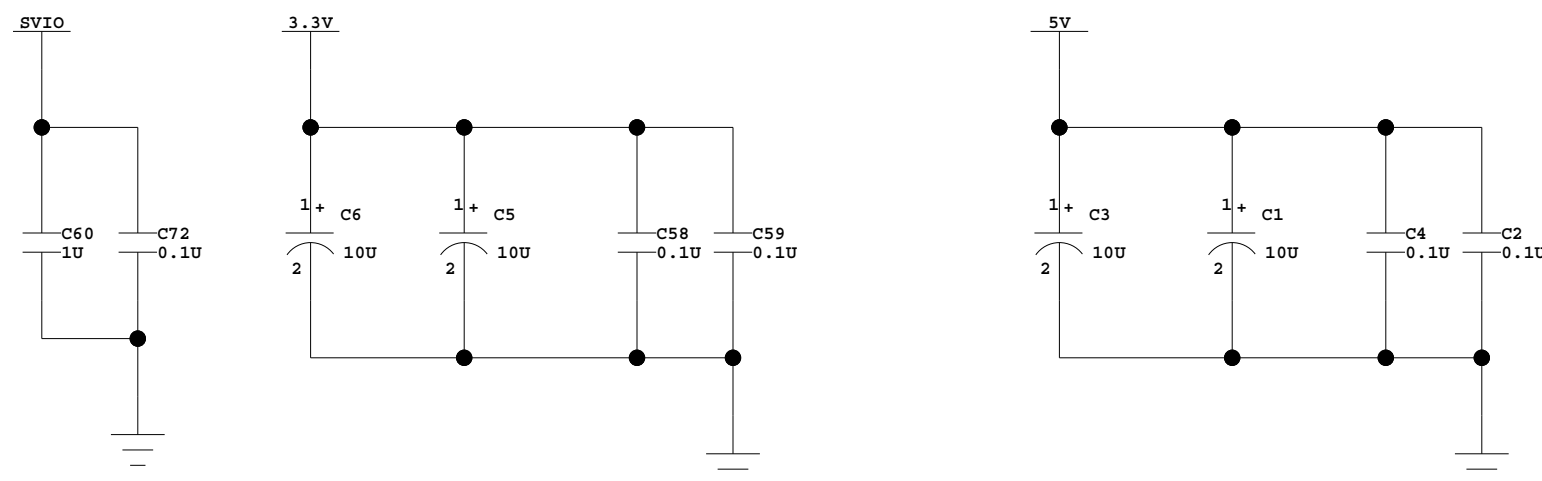
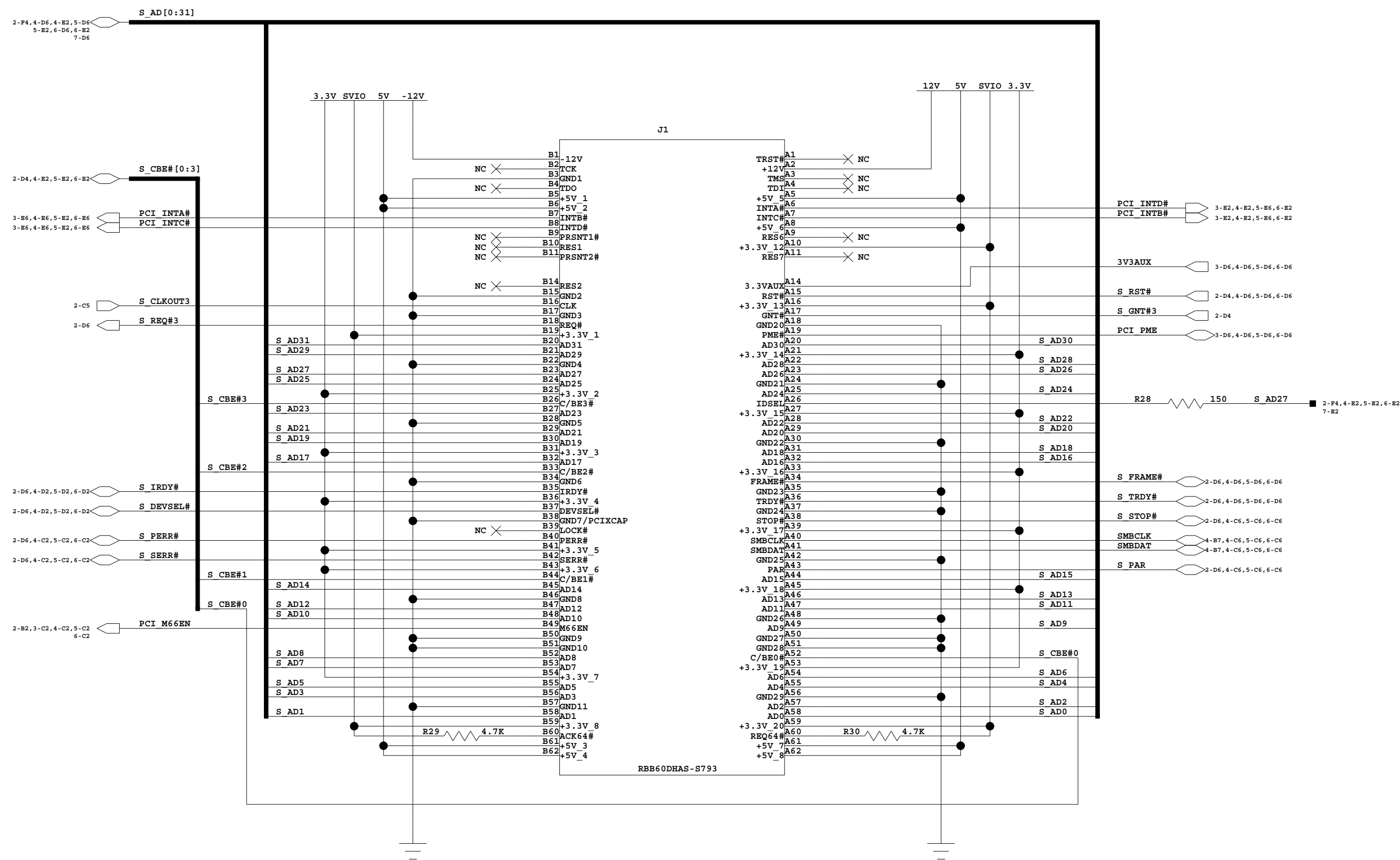
| | | | |
|--|------------------|----------|------------|
| TITLE : | | | |
| PCI 3.3V 32BITS SLOT 2 THRU-HOLE CONNECTOR | | | |
| SIZE | DRAWING NUMBER : | Version: | DESIGNER : |
| C | 60E3000_SC001 | | |
| LAST MODIFIED DATE : | | | SHEET |
| 4-27-2007_12:41 | | | 5 OF 7 |

PCI 3.3V 32Bits slot 3 Thru-hole connector



| | | | |
|--|------------------|----------|------------|
| TITLE : | | | |
| PCI 3.3V 32BITS SLOT 3 THRU-HOLE CONNECTOR | | | |
| SIZE | DRAWING NUMBER : | Version: | DESIGNER : |
| C | 60E3000_SC001 | | |
| LAST MODIFIED DATE : | | SHEET | |
| 4-27-2007_12:41 | | 6 OF 7 | |

PCI 3.3V 32Bit slot 4 right angle edge connector



| | | | |
|--|------------------|----------|------------|
| TITLE : | | | |
| PCI 3.3V 32BITS SLOT 4 RIGHT ANGLE CONNECTOR | | | |
| SIZE | DRAWING NUMBER : | Version: | DESIGNER : |
| C | 60E3000_SC001 | | |
| LAST MODIFIED DATE : | | | SHEET |
| 4-27-2007_12:41 | | | 7 OF 7 |