

1

2

3

4

5

6

7

IDT Tsi384 Evaluation Board

TABLE OF CONTENTS

- PAGE 01 - Table of Contents
- PAGE 02 - Block Diagram
- PAGE 03 - Tsi384 PCIe/Misc
- PAGE 04 - PCIe Connectors
- PAGE 05 - Tsi384 PCI/X Interface
- PAGE 06 - PCI/X Slot 0 (R/A Top)
- PAGE 07 - PCI/X Bus Switches
- PAGE 08 - PCI/X Slot 1 (Vertical Middle)
- PAGE 09 - PCI/X Slot 2 (Vertical Lower)
- PAGE 10 - Clock Distribution
- PAGE 11 - Power Sources
- PAGE 12 - Tsi384 Power/Regulators
- PAGE 13 - PCI Regulators
- PAGE 14 - Test Devices
- PAGE 15 - Test Devices Cont'd

TITLE :			
TABLE OF CONTENTS			
SIZE	DRAWING NUMBER :	Version:	DESIGNER :
C	60E1000_SC002	1.0	STEPHEN MARCHETTI
LAST MODIFIED DATE :			SHEET
3-20-2007_11:19			1 OF 15

1

2

3

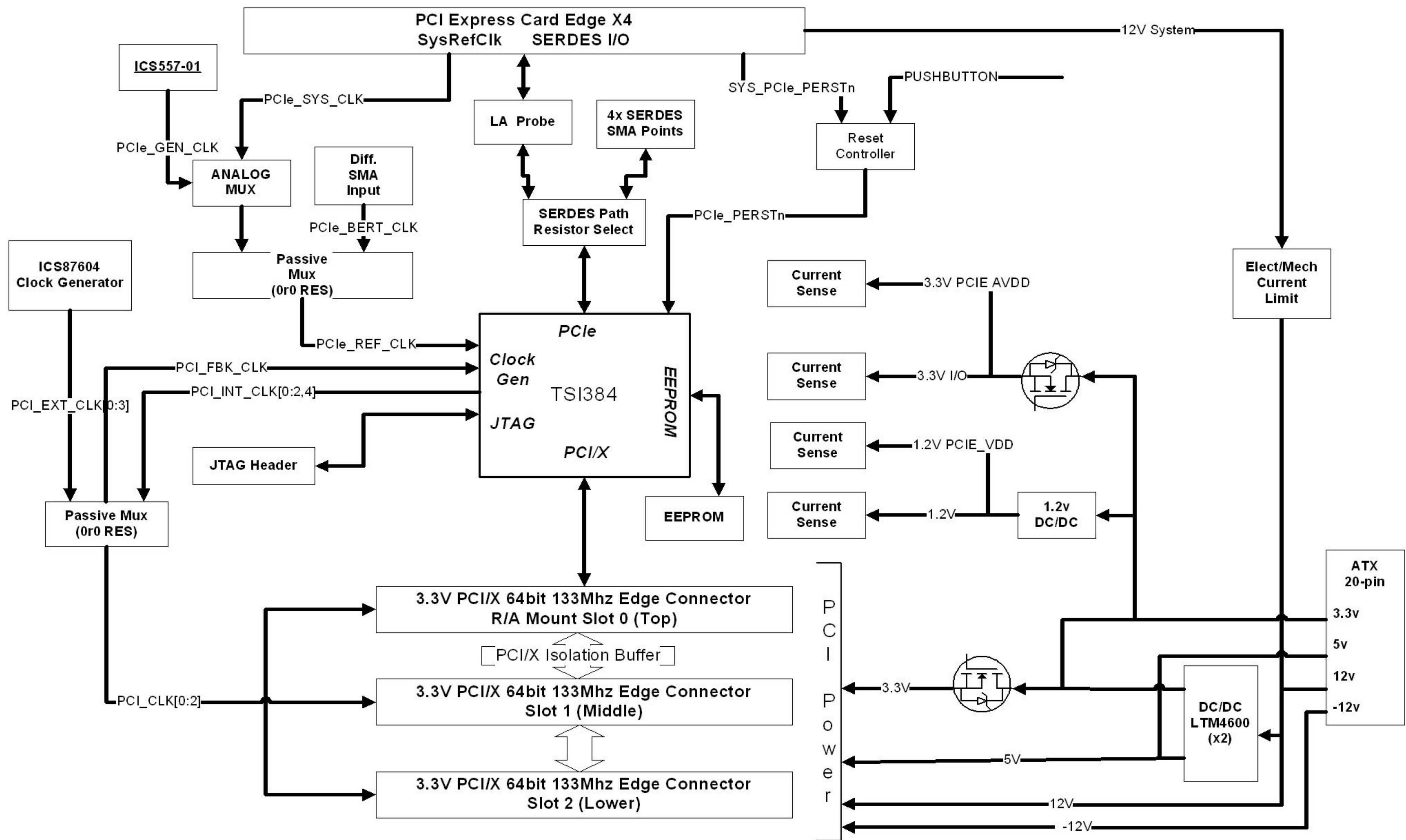
4

5

6

7

BLOCK DIAGRAM



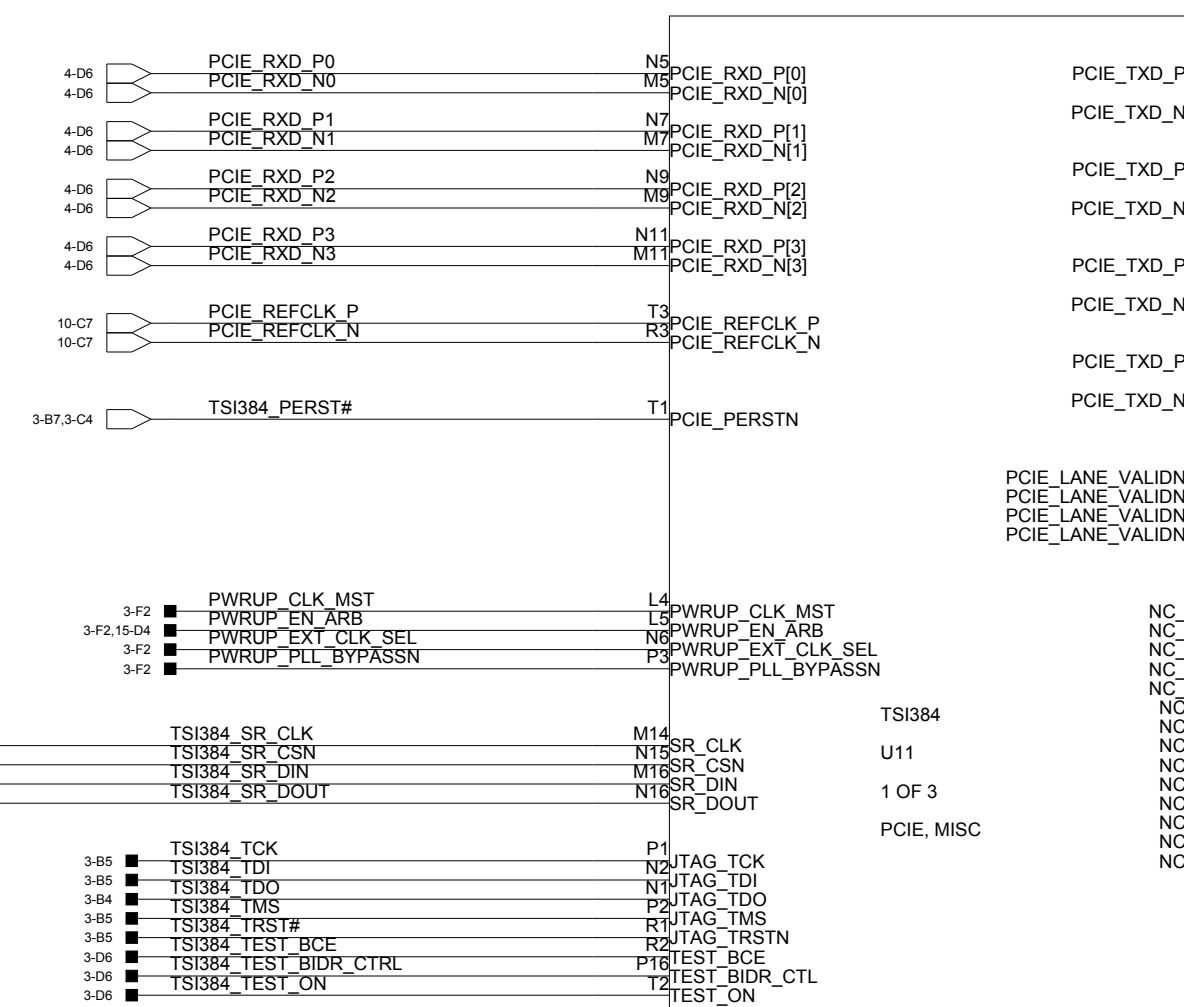
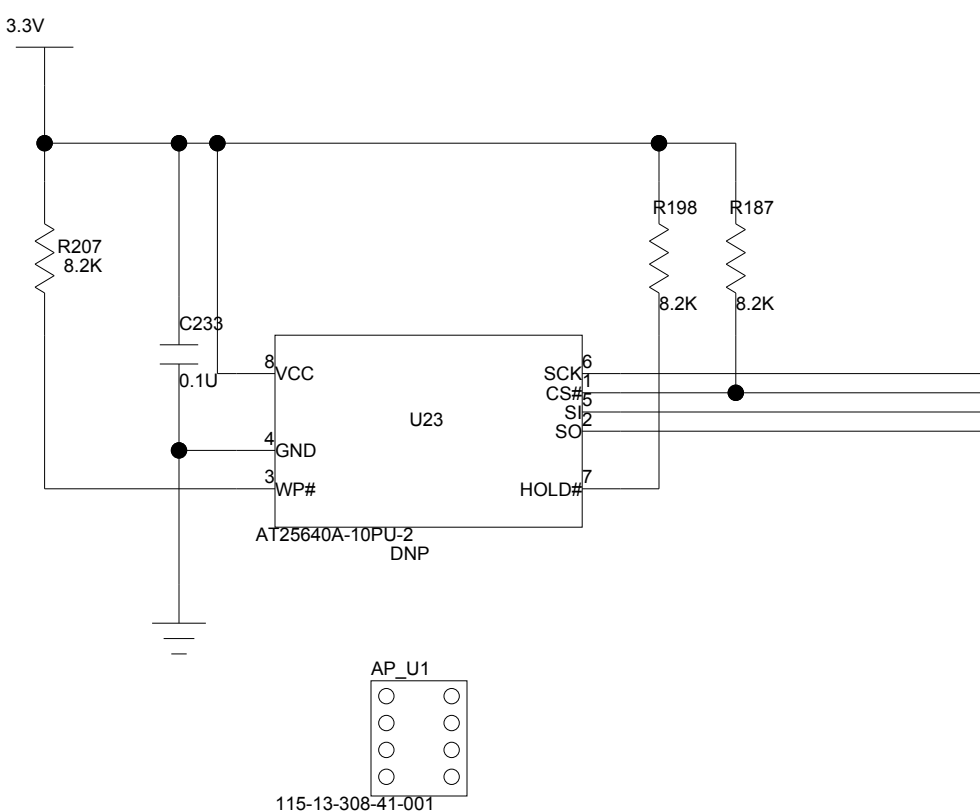
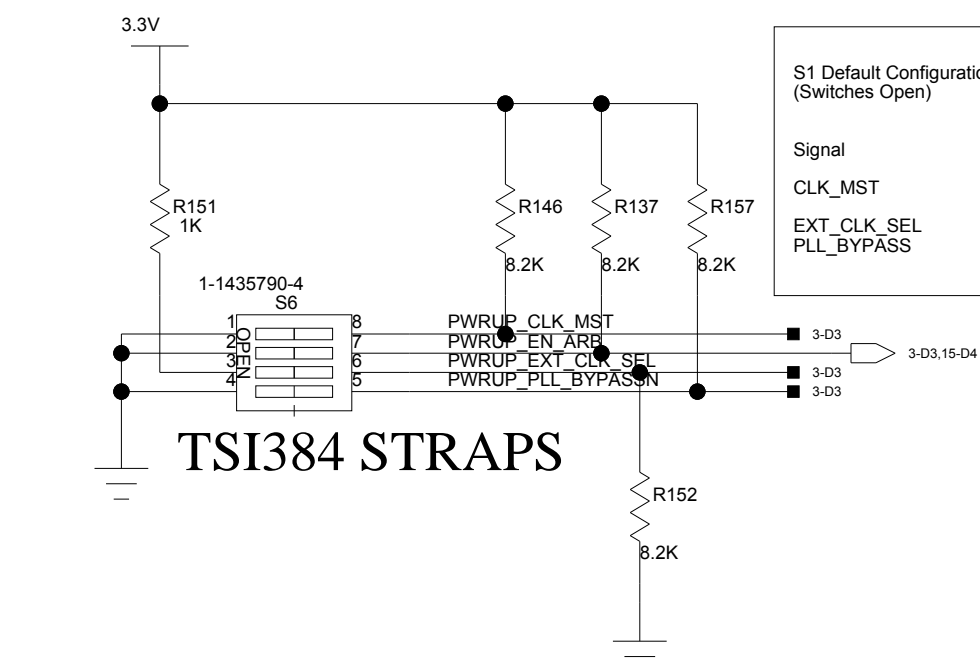
TITLE: BLOCK DIAGRAM			
SIZE: C	DRAWING NUMBER: 60E1000_SC002	Version: 1.0	DESIGNER: STEPHEN MARCHETTI
LAST MODIFIED DATE: 3-20-2007_11:19		SHEET 2 OF 15	

TSI384 PCIE/MISC INTERFACE

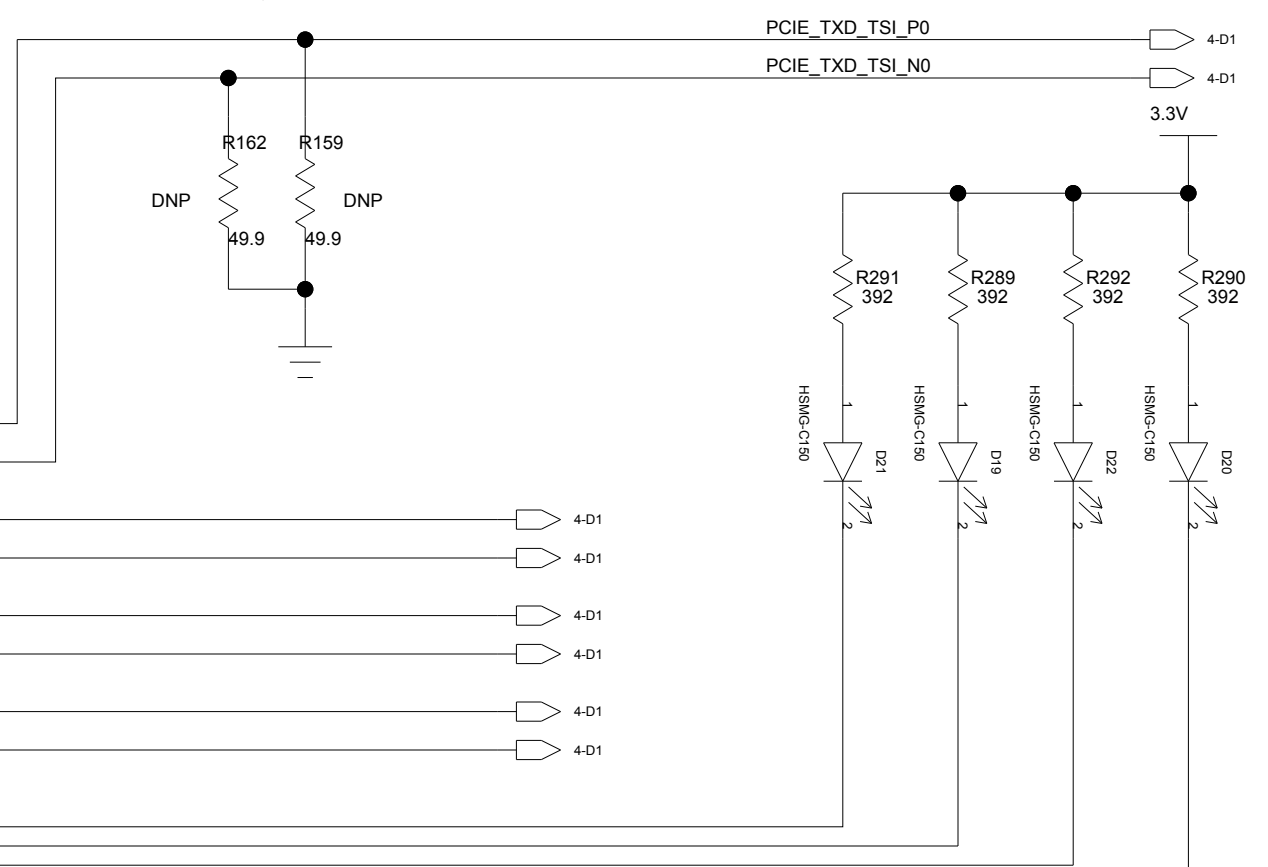
S1 Default Configuration (Switches Open)

Signal	(1=High,0=Low)
CLK_MST	1
EXT_CLK_SEL	0
PLL_BYPASS	1

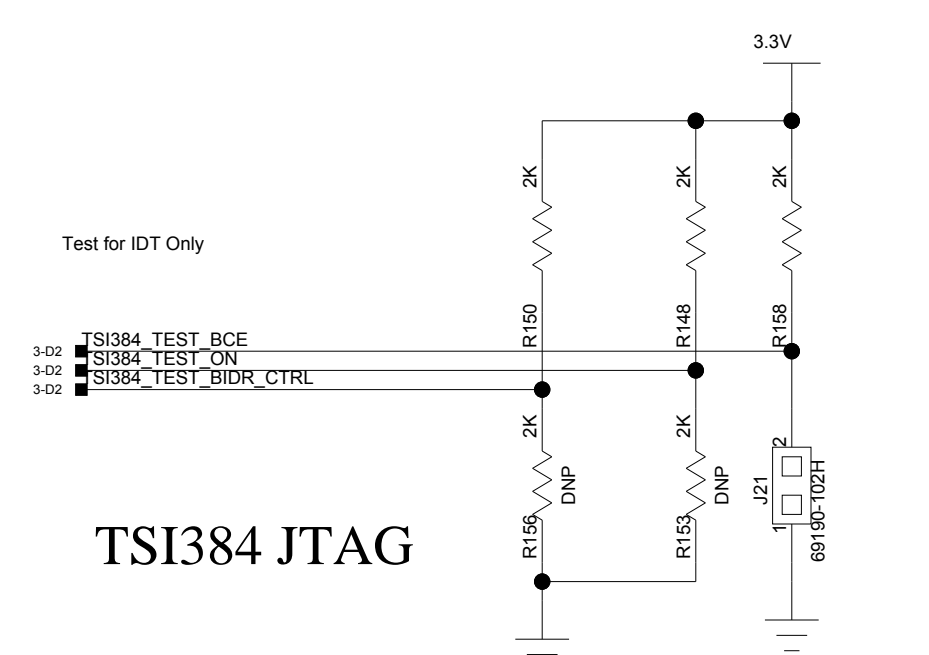
TSI384 STRAPS



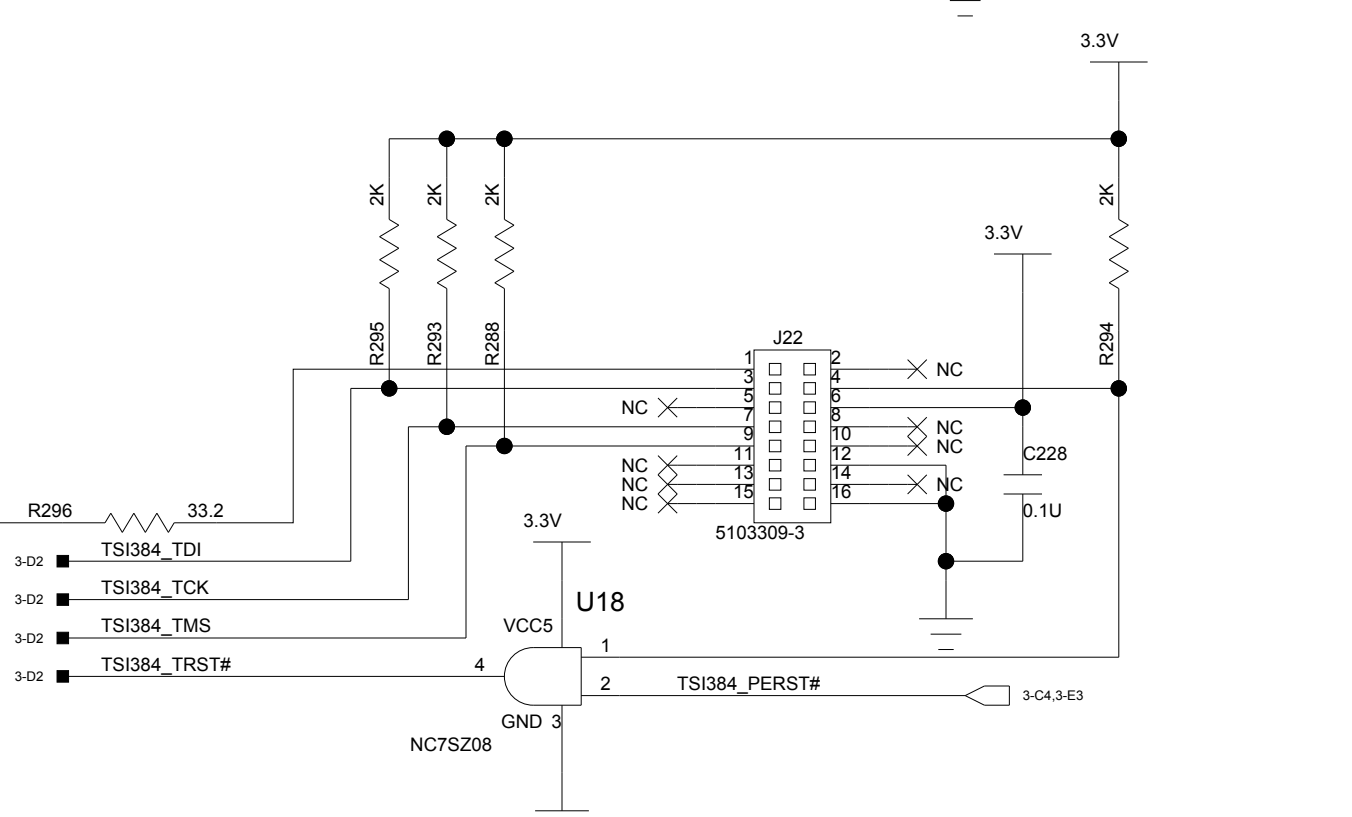
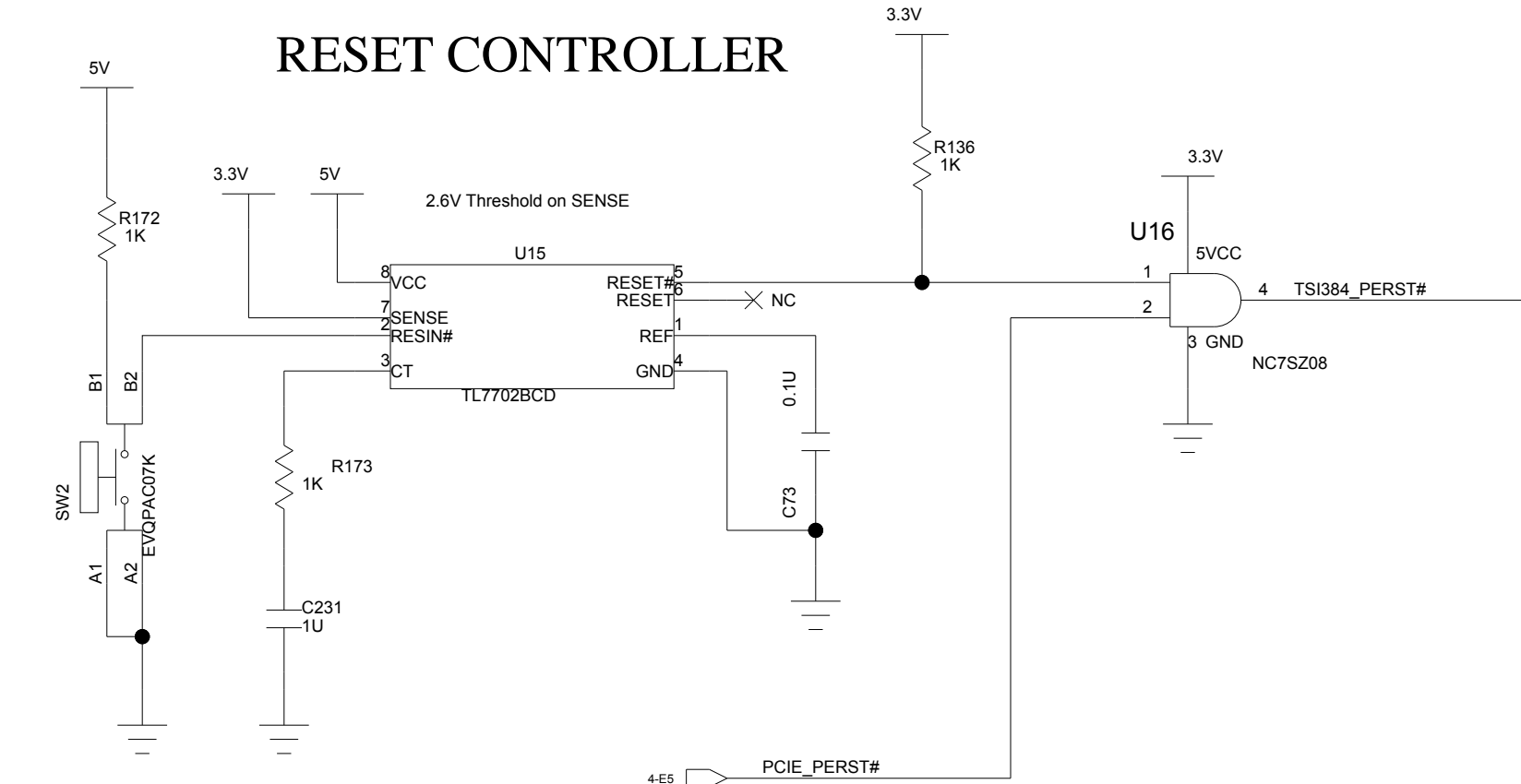
TX Compliance Testing



TSI384 JTAG

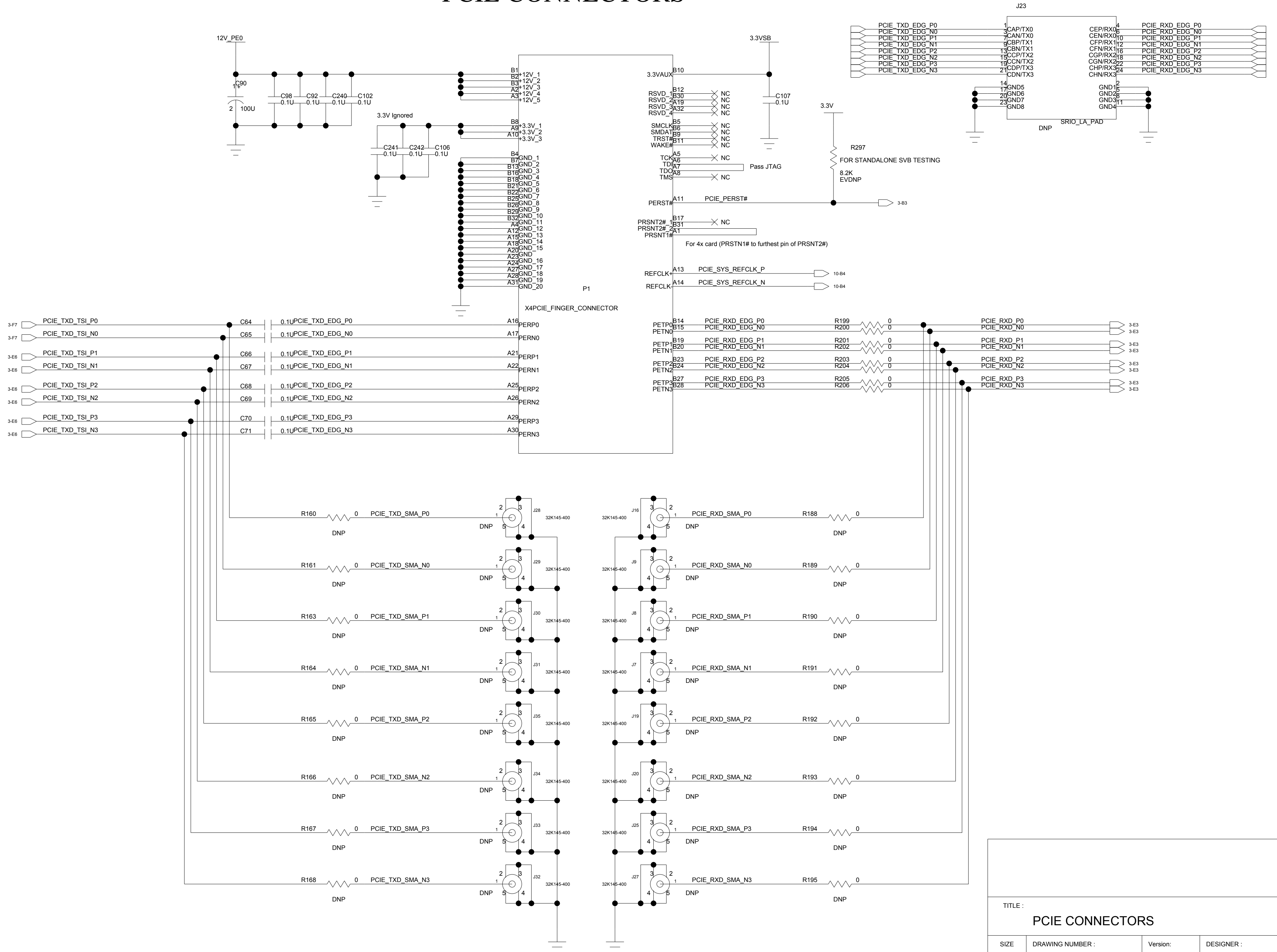


RESET CONTROLLER



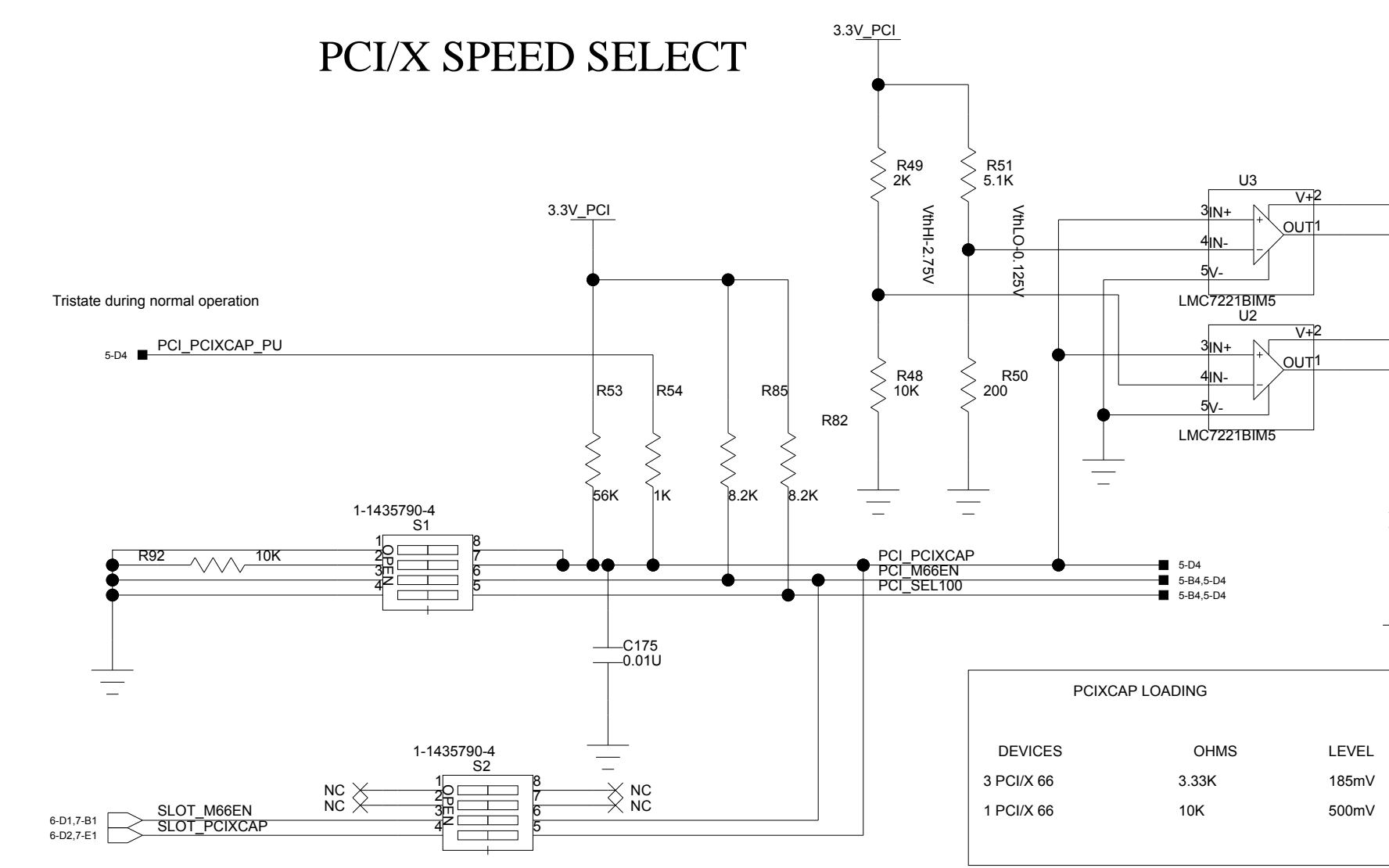
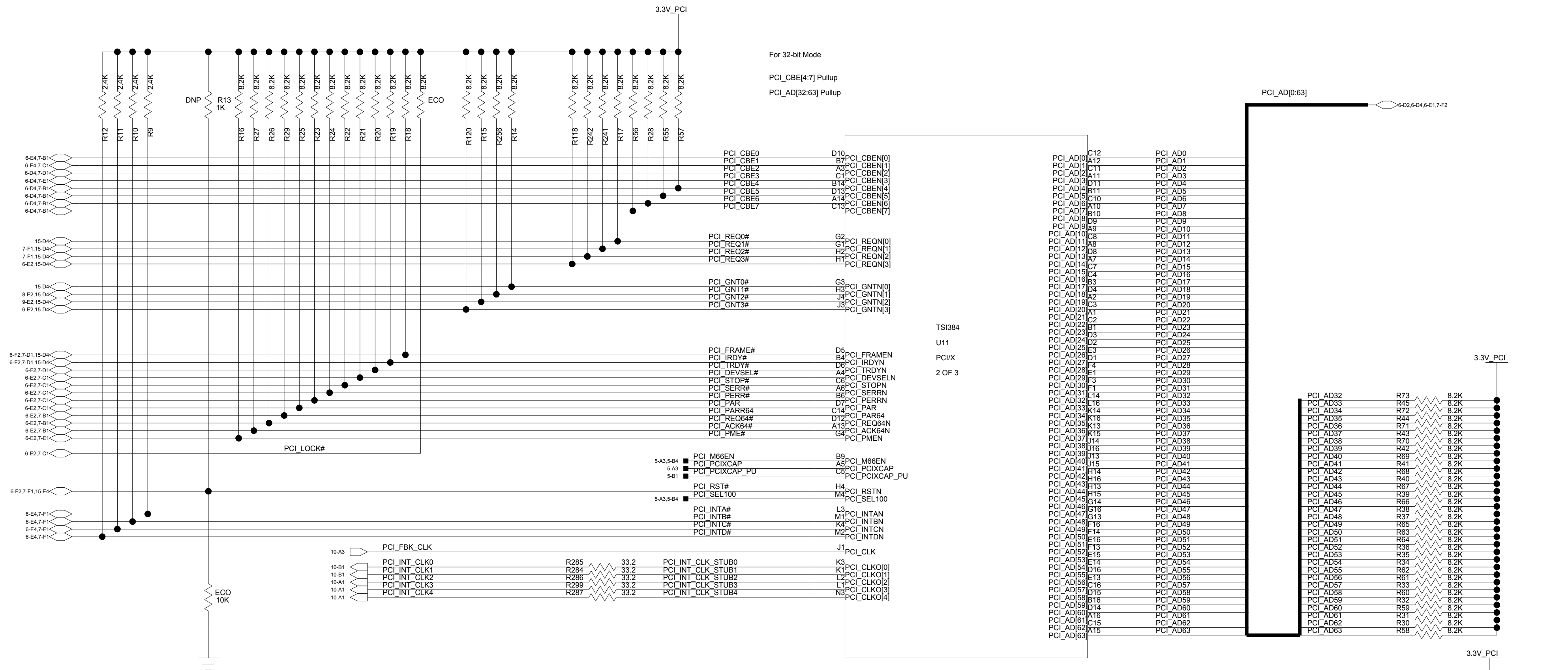
TITLE: TSI384 PCIE/MISC			
SIZE C	DRAWING NUMBER : 60E1000_SC002	Version: 1.0	DESIGNER : STEPHEN MARCHETTI
LAST MODIFIED DATE : 5-7-2007_14:14		SHEET 3 OF 15	

PCIE CONNECTORS

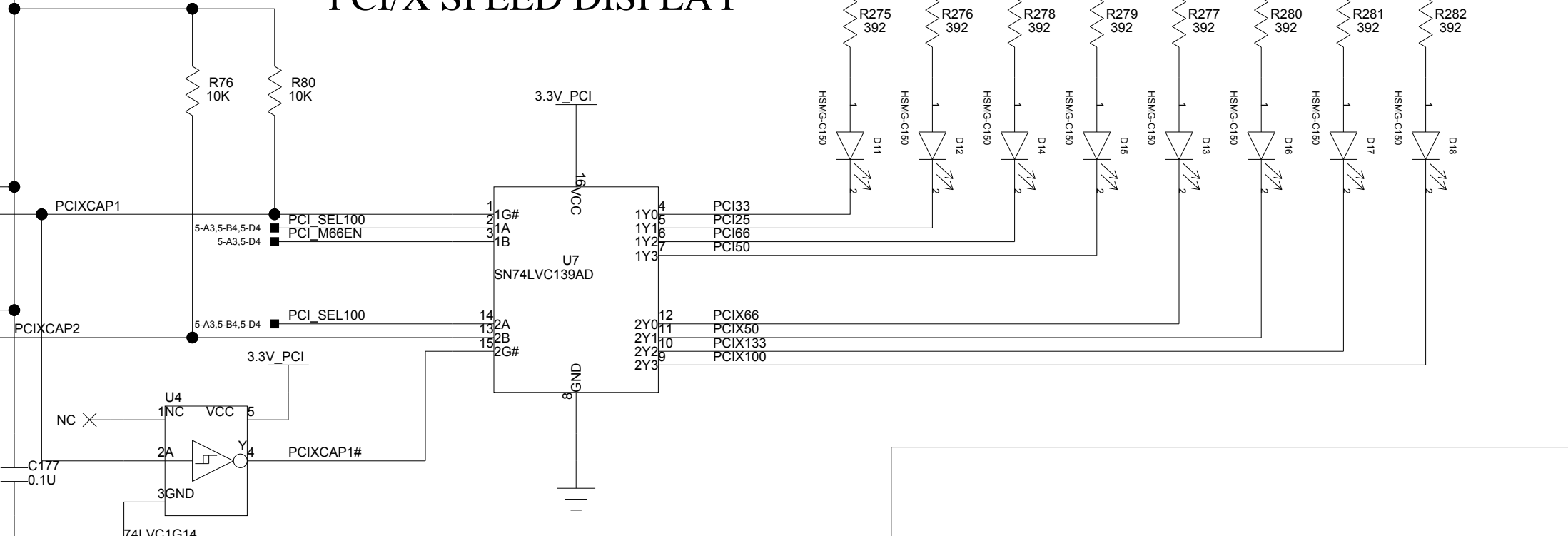


TITLE : PCIE CONNECTORS			
SIZE C	DRAWING NUMBER : 60E1000_SC002	Version: 1.0	DESIGNER : STEPHEN MARCHETTI
LAST MODIFIED DATE : 5-7-2007_14:14		SHEET 4 OF 15	

TSI384 PCI/X INTERFACE

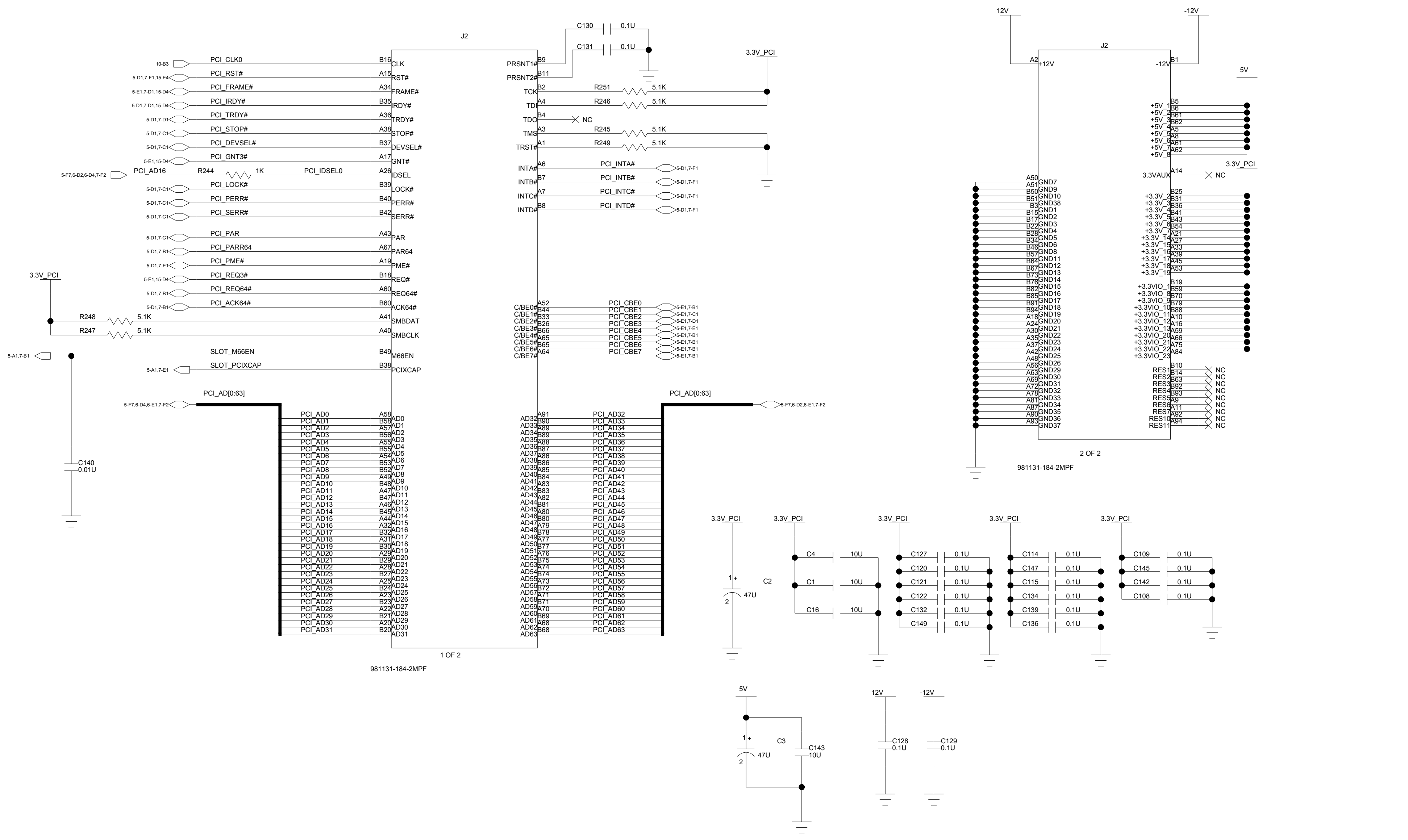


PCI/X SPEED DISPLAY



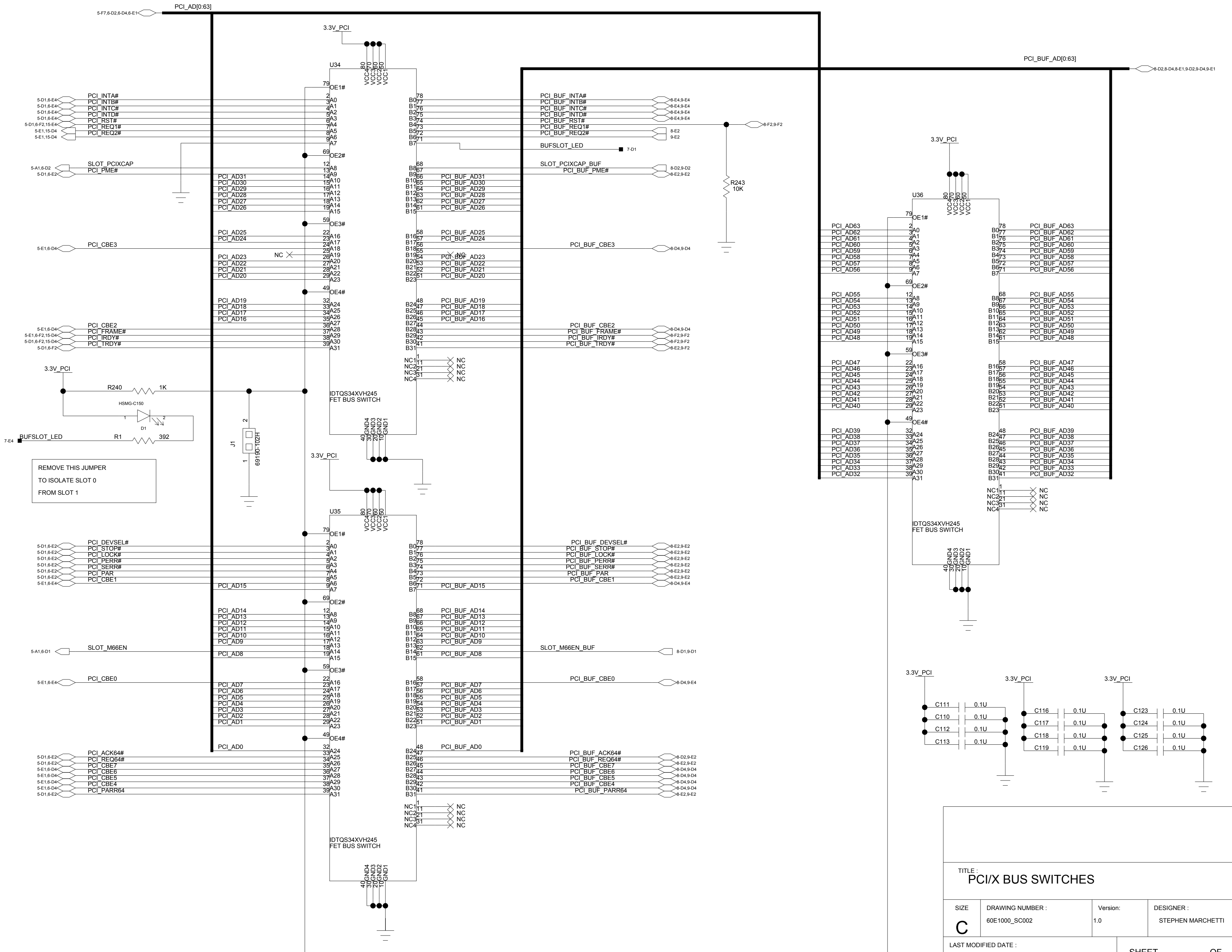
TITLE: TSI384 PCI/X INTERFACE			
SIZE C	DRAWING NUMBER : 60E1000_SC002	Version: 1.0	DESIGNER : STEPHEN MARCHETTI
LAST MODIFIED DATE : 5-7-2007_14:14		SHEET 5 OF 15	

PCI/X SLOT 0 (R/A TOP)



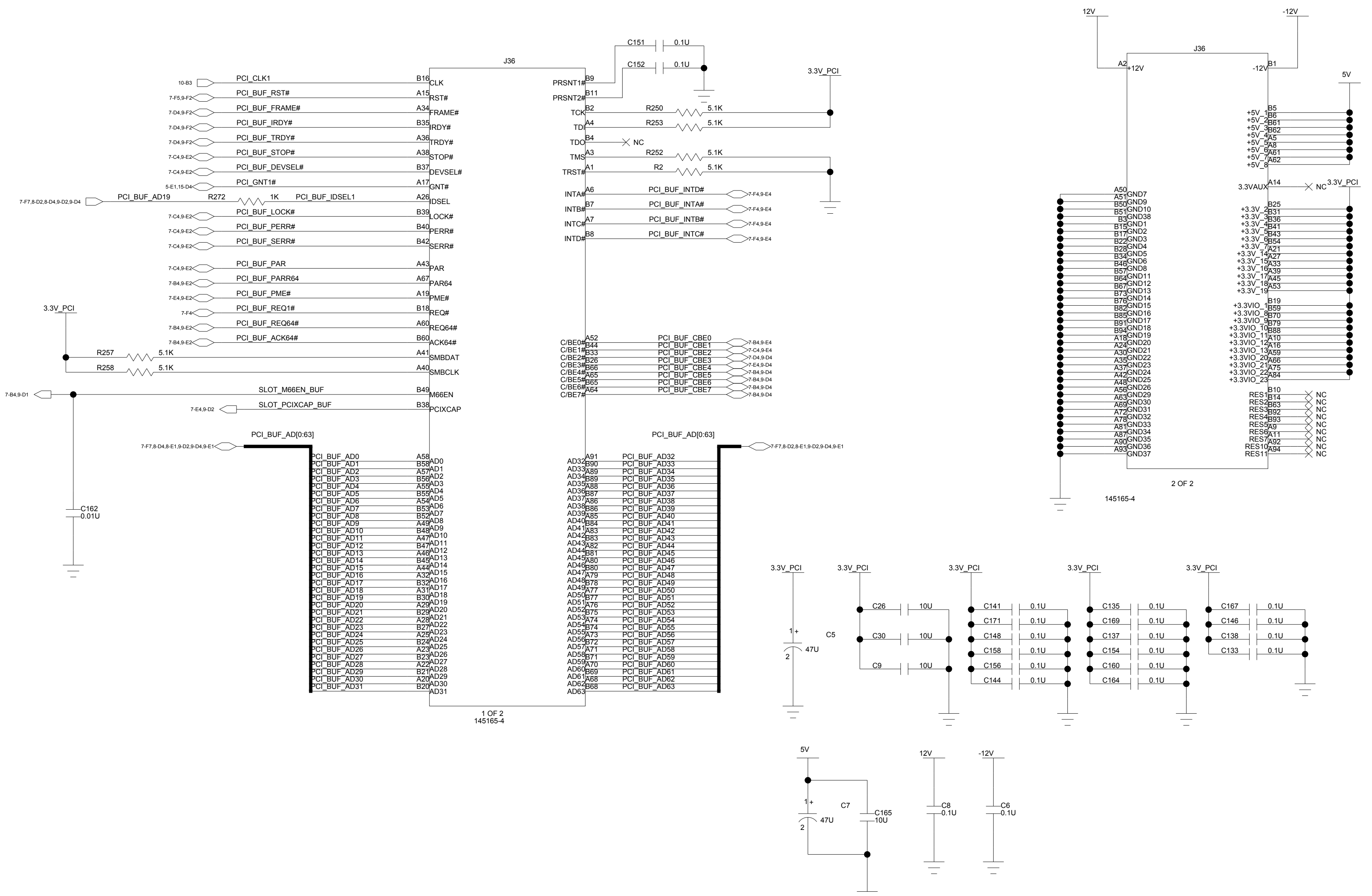
TITLE: PCI/X SLOT 0			
SIZE C	DRAWING NUMBER: 60E1000_SC002	Version: 1.0	DESIGNER: STEPHEN MARCHETTI
LAST MODIFIED DATE: 5-7-2007_14:14		SHEET 6 OF 15	

PCI/X BUS SWITCHES



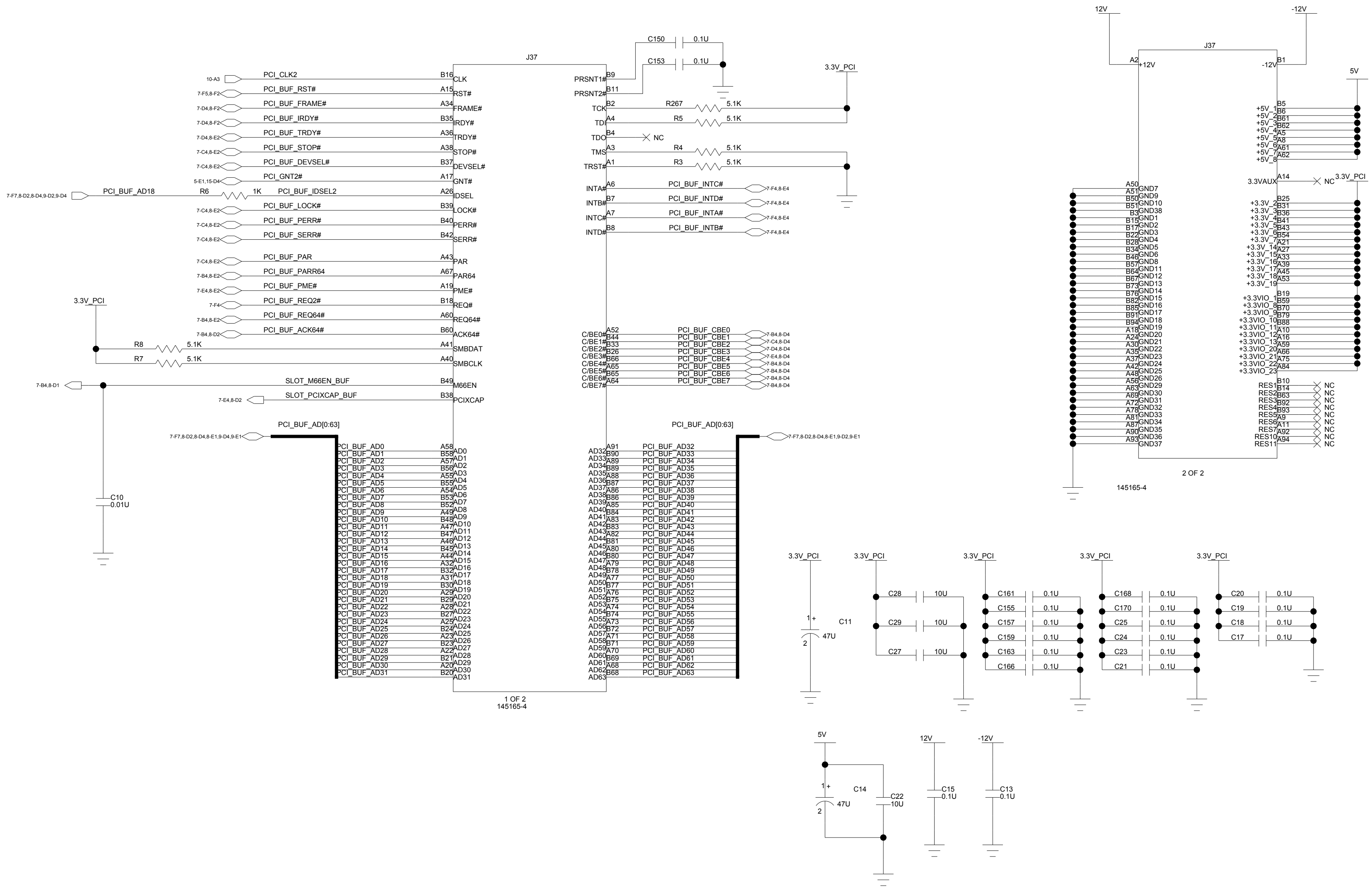
TITLE : PCI/X BUS SWITCHES			
SIZE C	DRAWING NUMBER : 60E1000_SC002	Version: 1.0	DESIGNER : STEPHEN MARCHETTI
LAST MODIFIED DATE : 5-7-2007_14:14		SHEET 7 OF 15	

PCI/X SLOT 1 (Vertical Middle)



TITLE : PCI/X SLOT 1			
SIZE C	DRAWING NUMBER : 60E1000_SC002	Version: 1.0	DESIGNER : STEPHEN MARCHETTI
LAST MODIFIED DATE : 5-7-2007_14:14			SHEET 8 OF 15

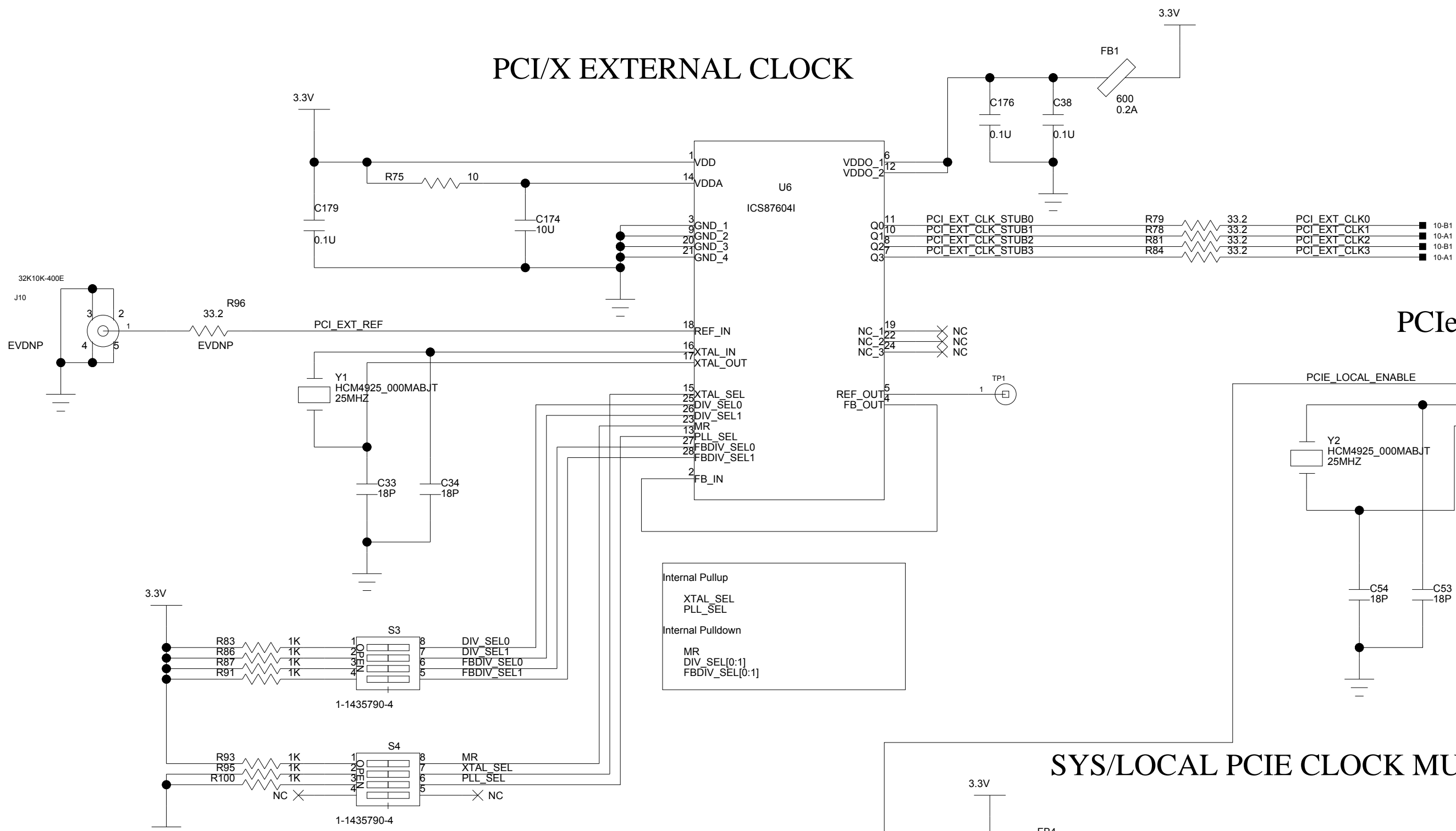
PCI/X SLOT 2 (Vertical Lower)



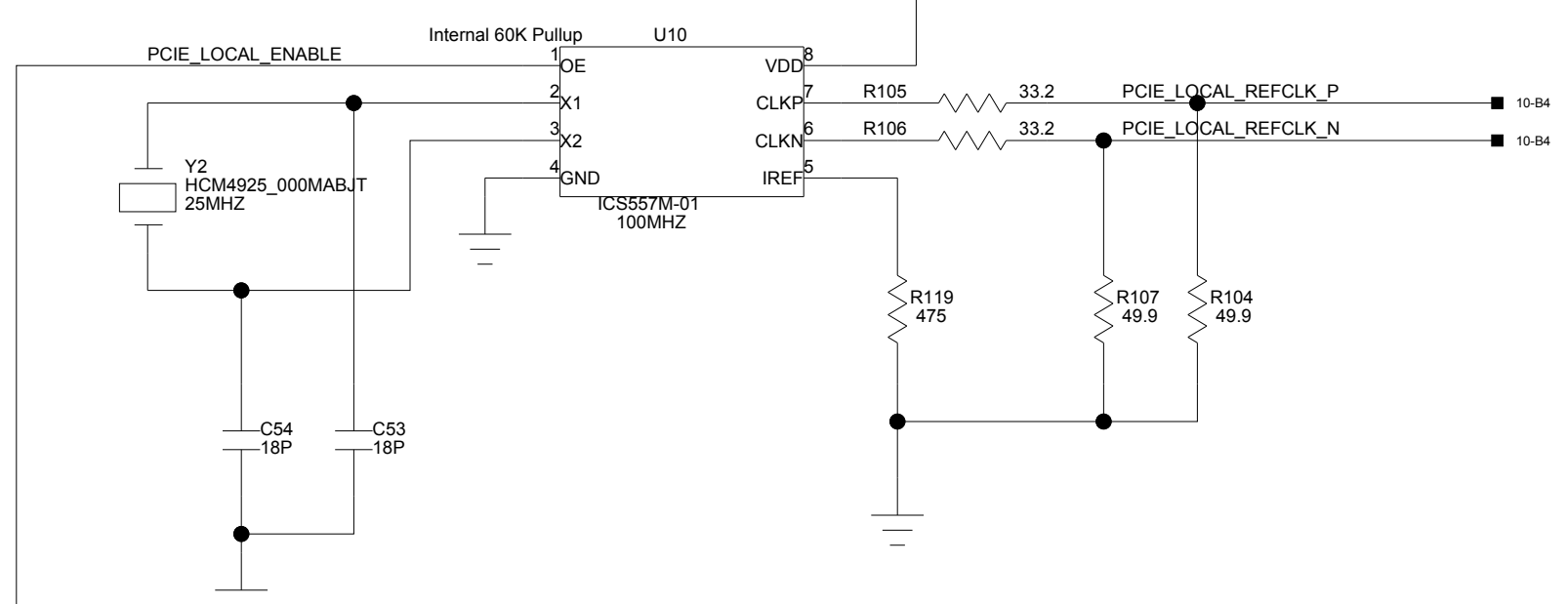
TITLE : PCI/X SLOT 2			
SIZE C	DRAWING NUMBER : 60E1000_SC002	Version: 1.0	DESIGNER : STEPHEN MARCHETTI
LAST MODIFIED DATE : 5-7-2007_14:14			SHEET 9 OF 15

CLOCK DISTRIBUTION

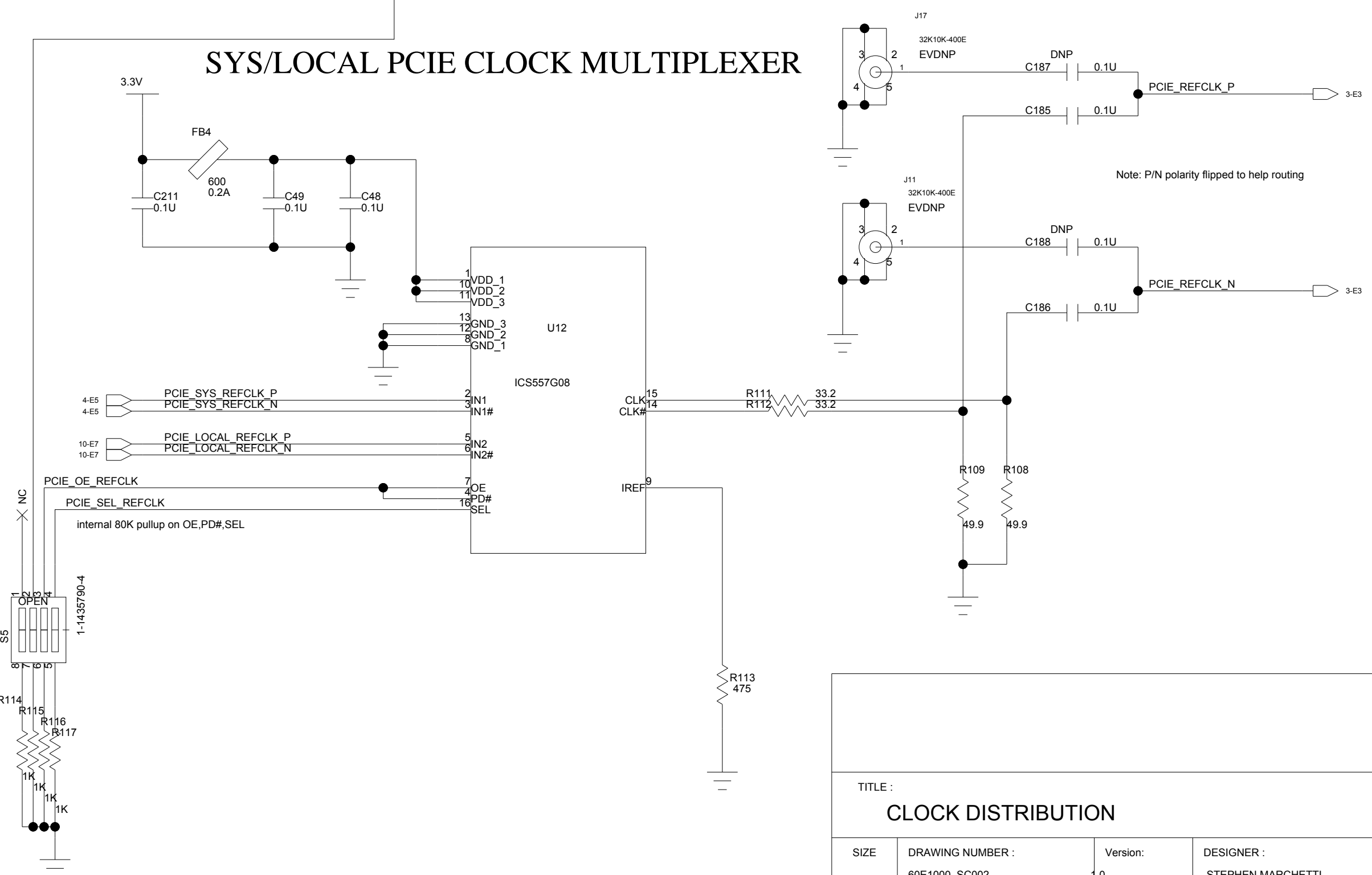
PCI/X EXTERNAL CLOCK



PCIe LOCAL CLOCKGEN



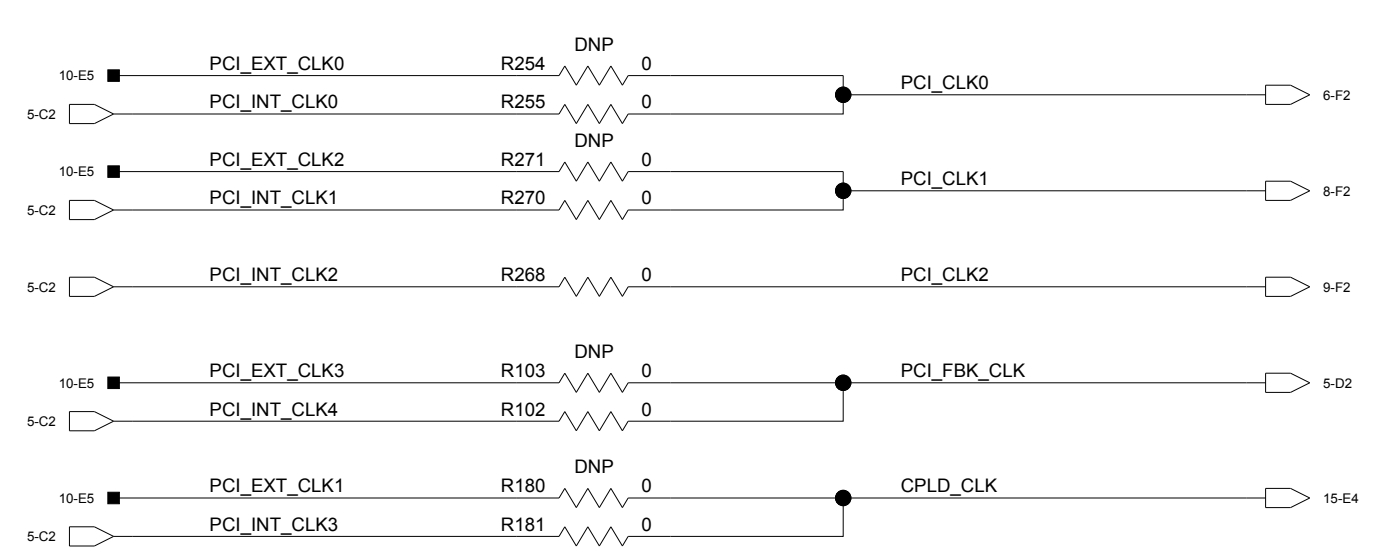
SYS/LOCAL PCIE CLOCK MULTIPLEXER



Frequency Select (ICS87604I)

FBDIV_SEI[0:1]	DIV_SEI[0:1]	OUTPUT
0:0	0:0	100Mhz
0:0	1:0	50Mhz
0:0	1:1	25Mhz
0:1	0:0	133Mhz
0:1	1:0	66Mhz
0:1	1:1	33Mhz

INTERNAL/EXTERNAL PCI/X CLOCK SELECT

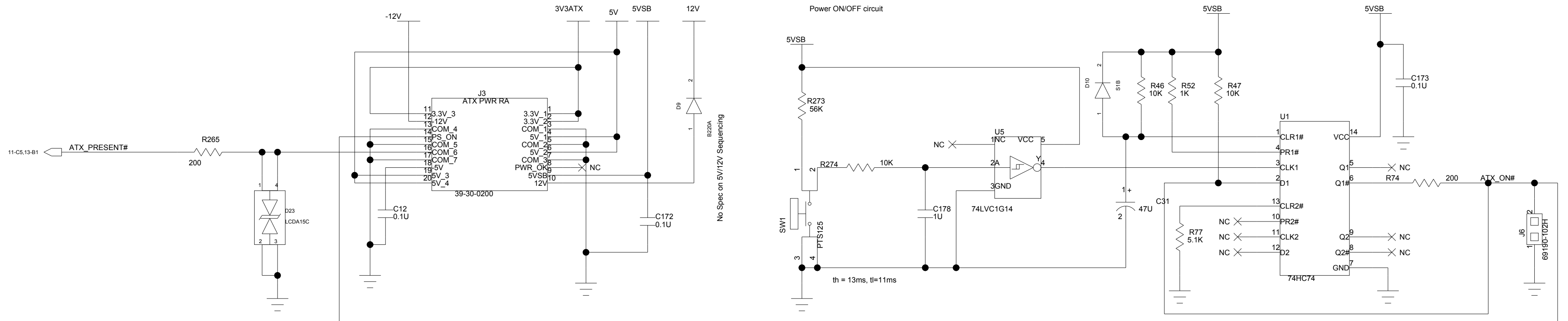


TITLE : CLOCK DISTRIBUTION			
SIZE C	DRAWING NUMBER : 60E1000_SC002	Version: 1.0	DESIGNER : STEPHEN MARCHETTI
LAST MODIFIED DATE : 5-7-2007_16:29		SHEET 10 OF 15	

POWER SOURCES

ATX SUPPLY TOGGLE

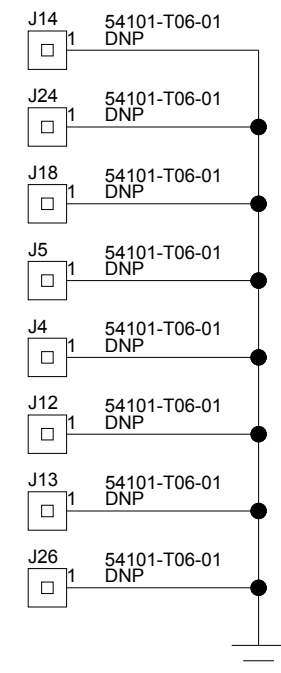
ATX



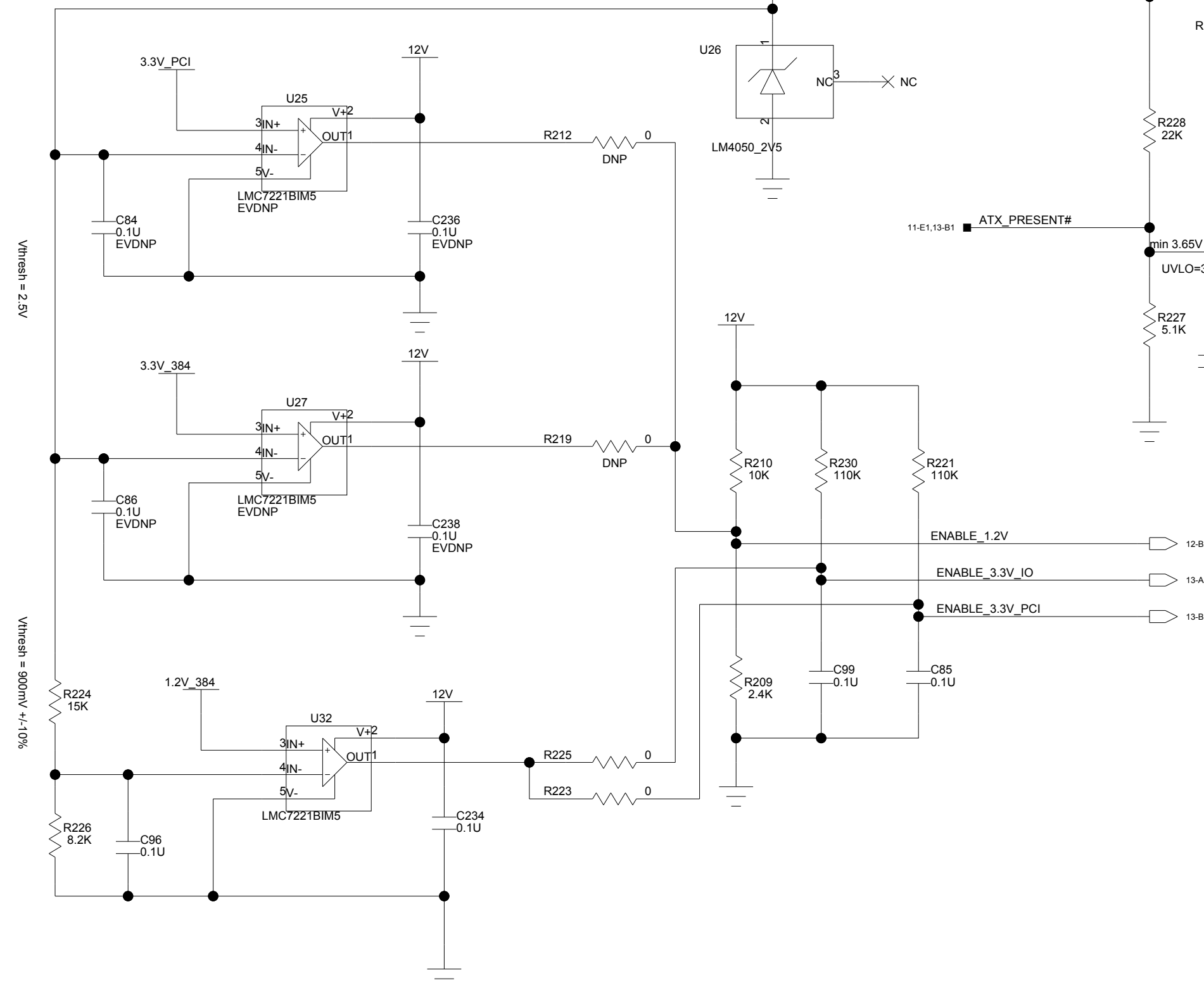
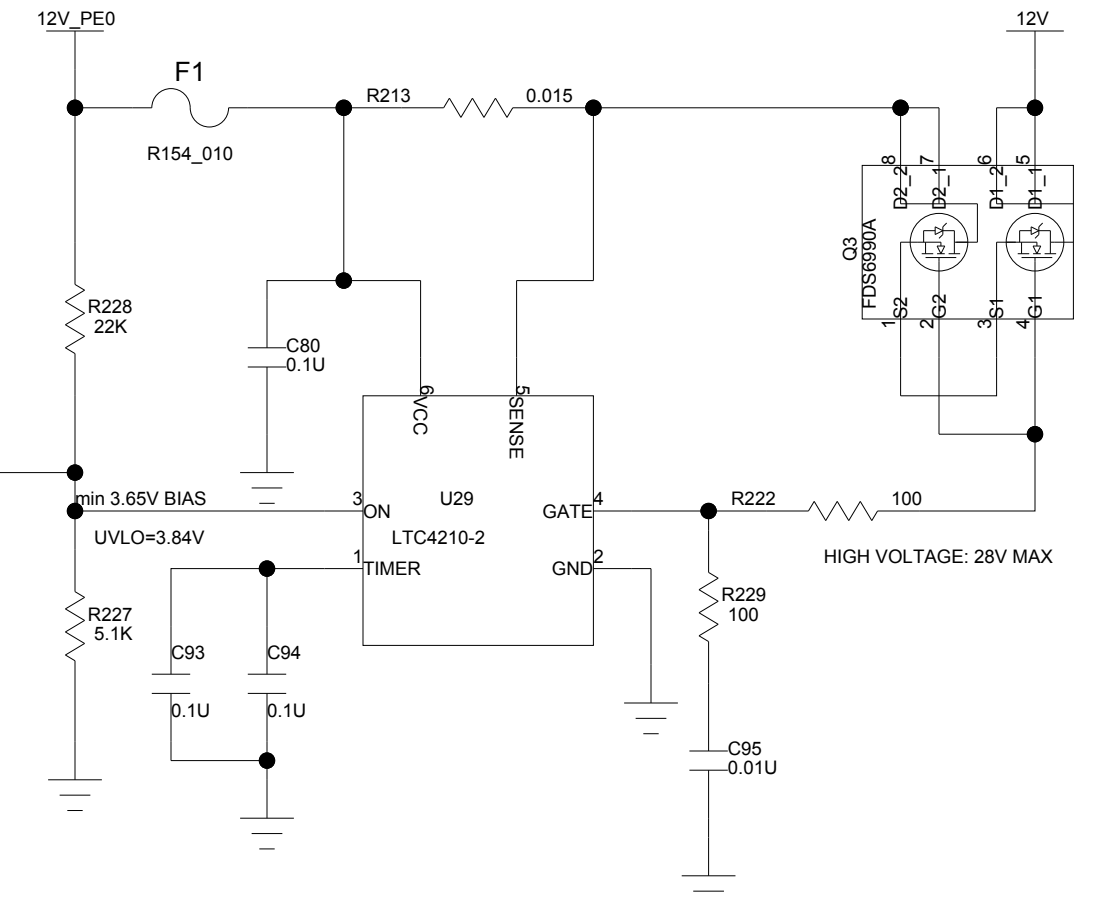
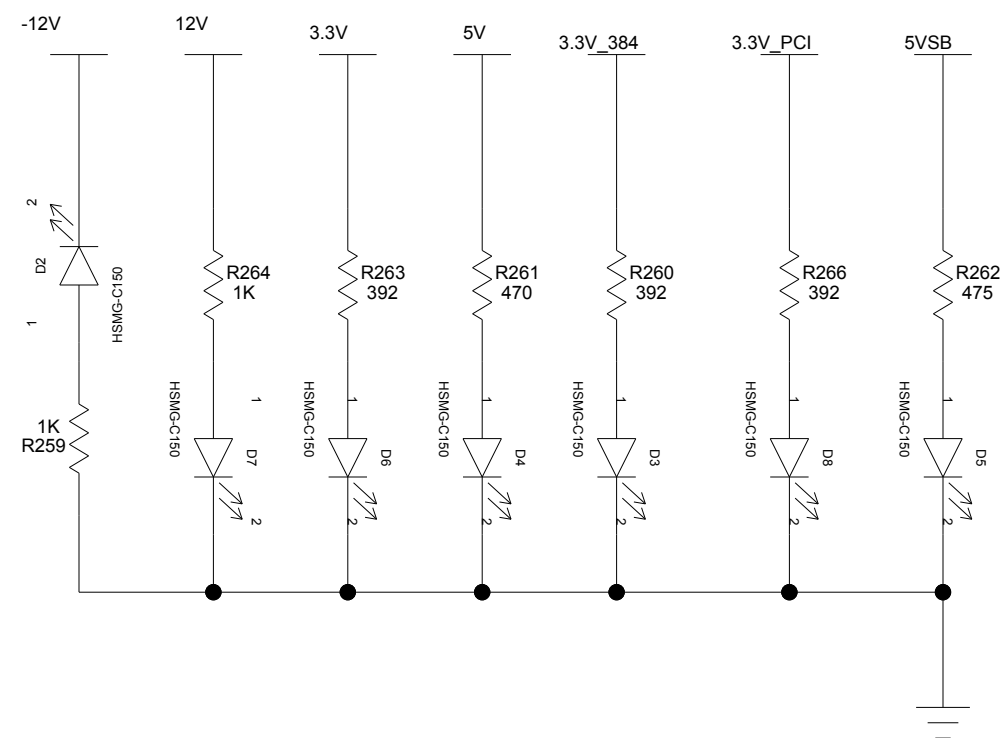
SYS SUPPLY SWITCH

BOARD SEQUENCING

GND TESTPOINTS

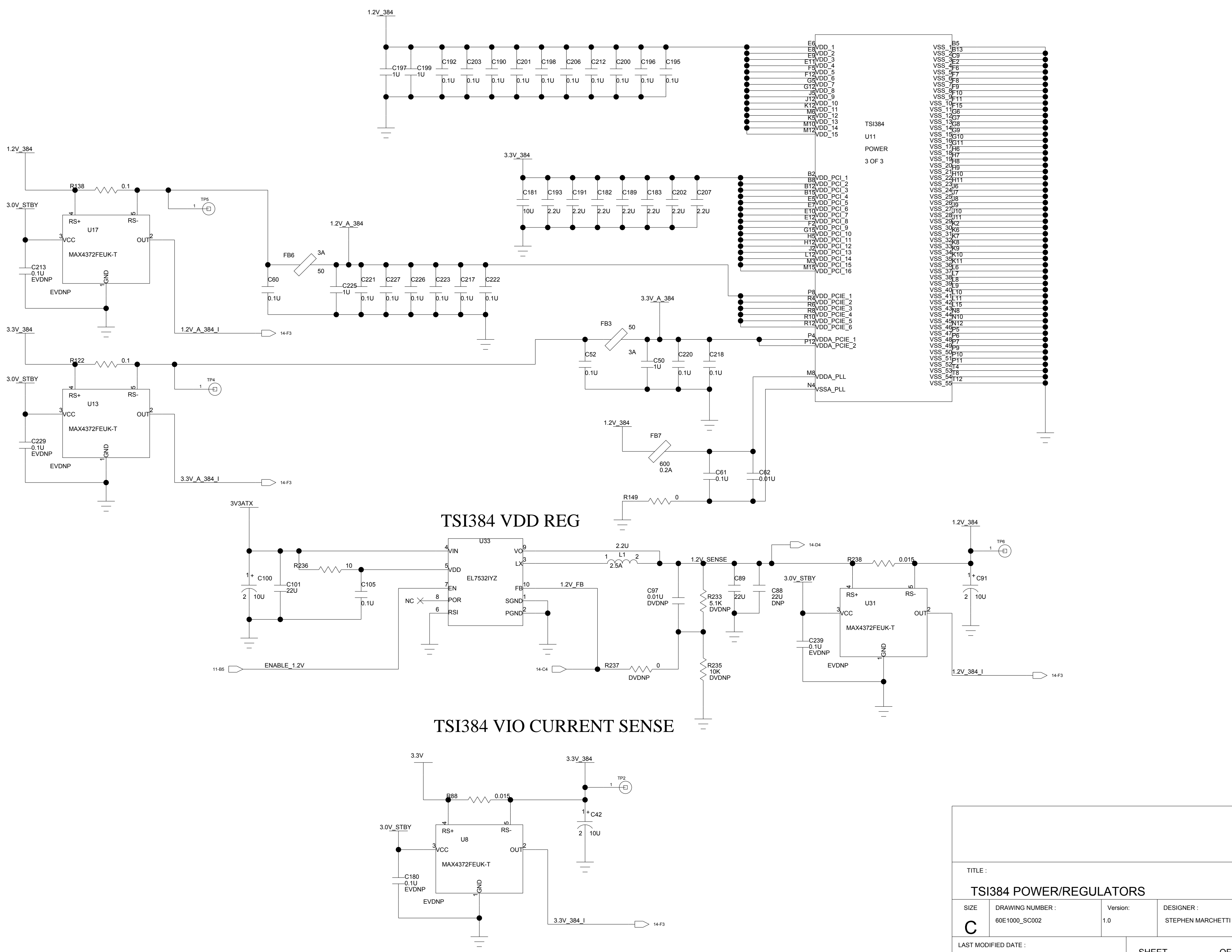


POWER STATUS



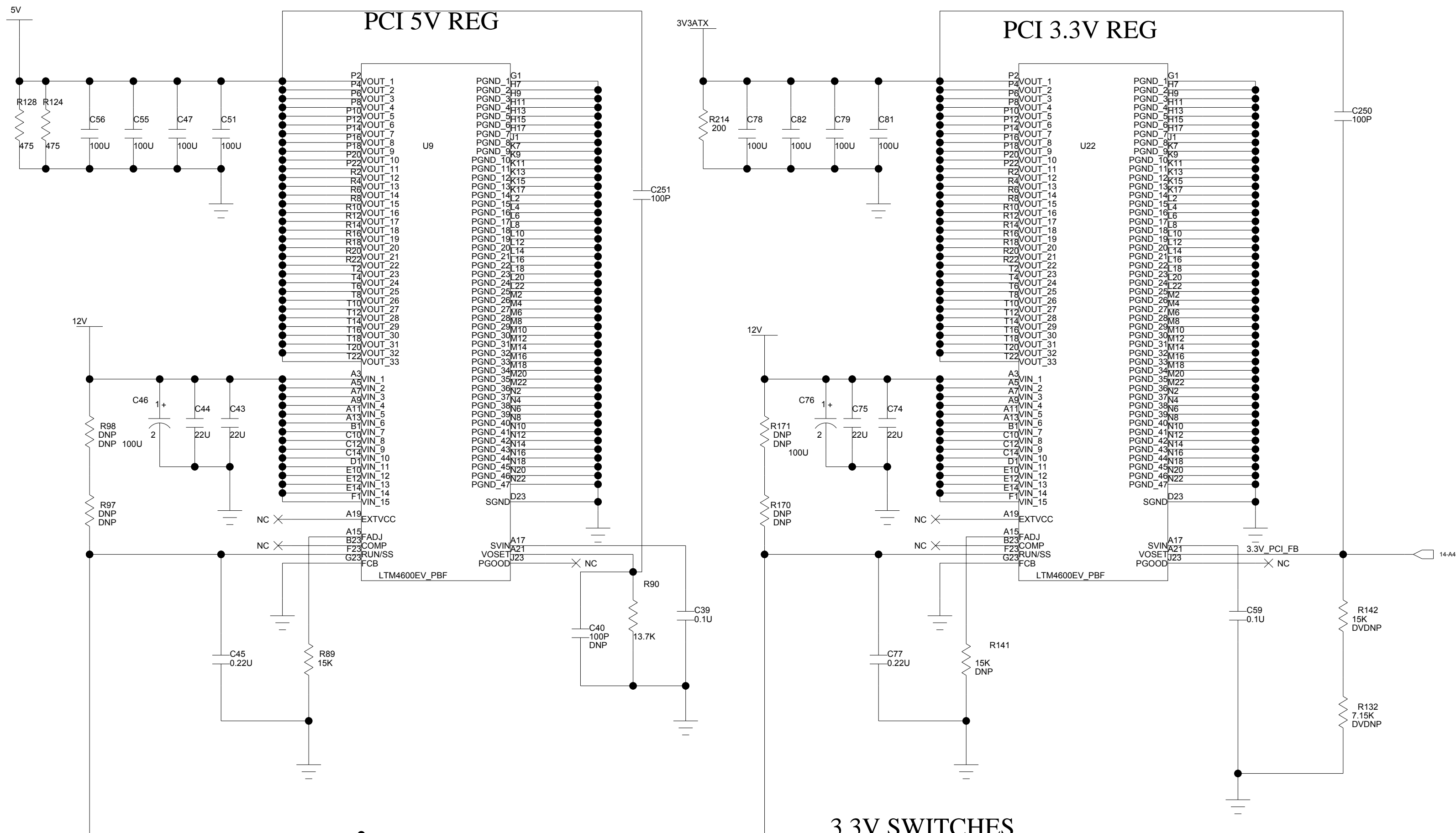
TITLE : POWER SOURCES			
SIZE : C	DRAWING NUMBER : 60E1000_SC002	Version : 1.0	DESIGNER : STEPHEN MARCHETTI
LAST MODIFIED DATE : 5-7-2007_14:59		SHEET 11 OF 15	

TSI384 POWER/REGULATORS

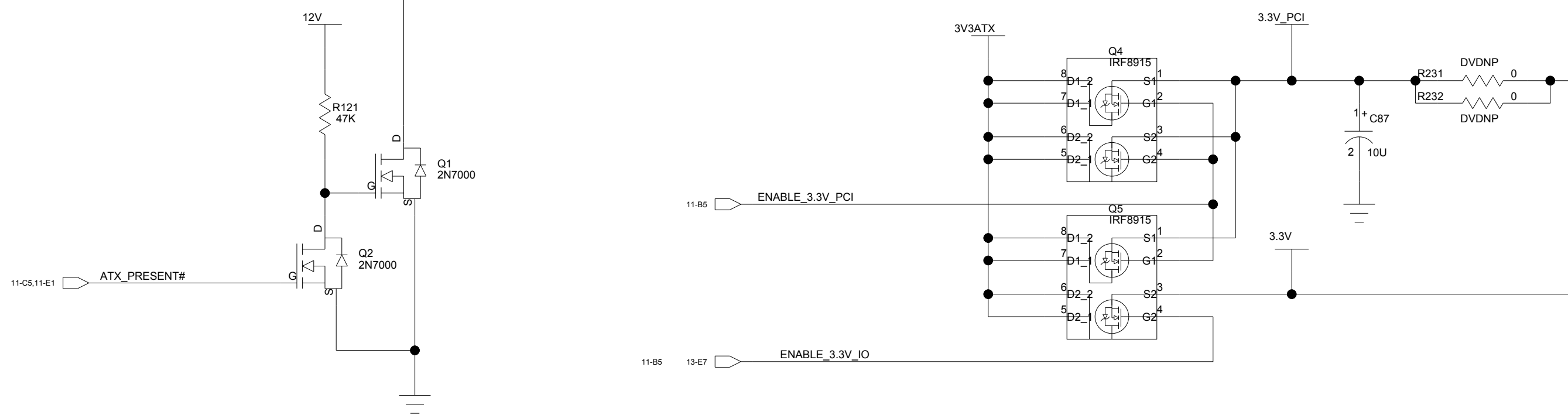


TITLE :			
TSI384 POWER/REGULATORS			
SIZE	DRAWING NUMBER :	Version:	DESIGNER :
C	60E1000_SC002	1.0	STEPHEN MARCHETTI
LAST MODIFIED DATE :			SHEET
5-7-2007_14:14			12 OF 15

PCI POWER REGULATORS



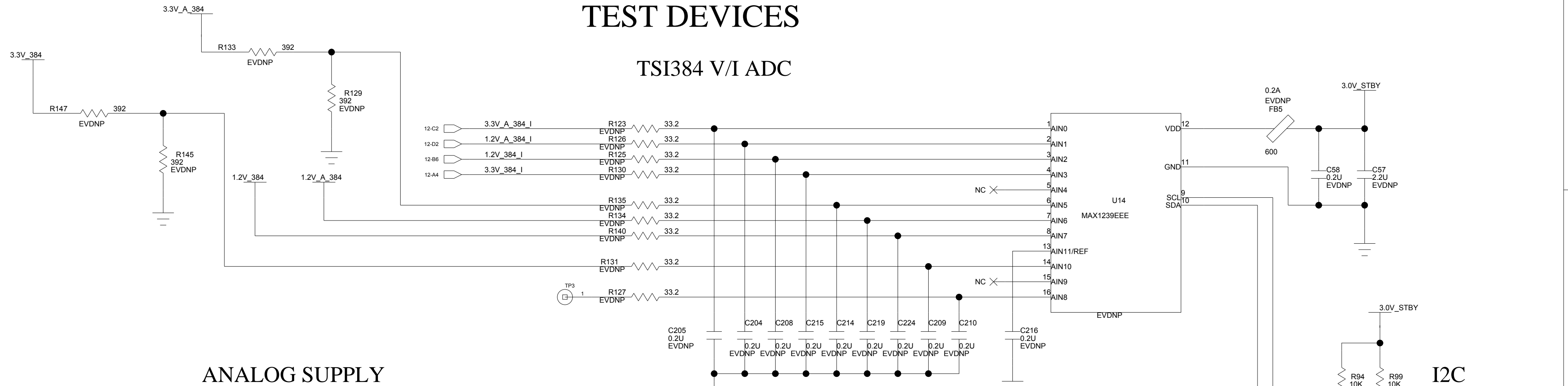
3.3V SWITCHES



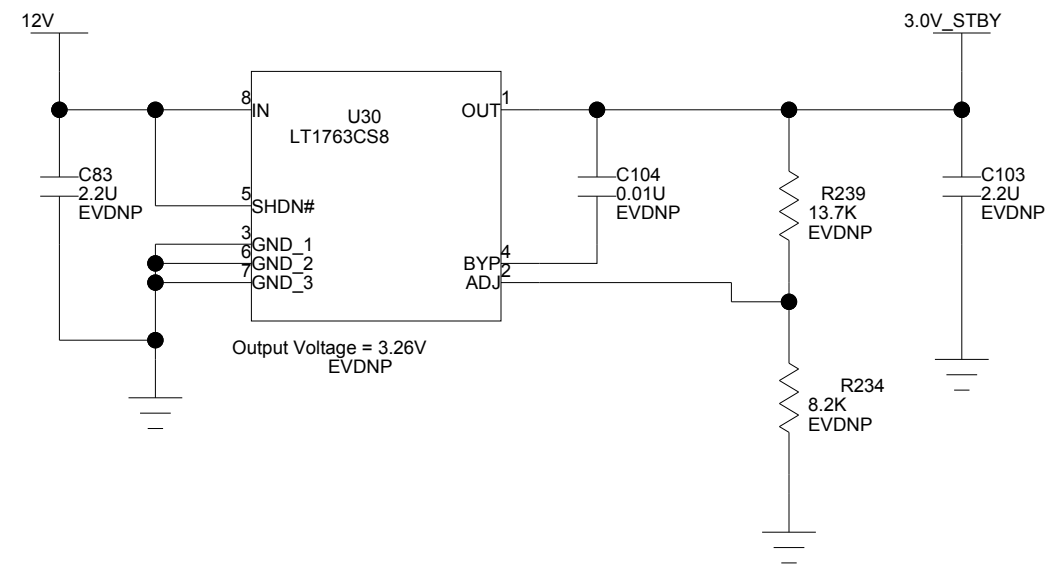
TITLE : PCI POWER REGULATORS			
SIZE C	DRAWING NUMBER : 60E1000_SC002	Version: 1.0	DESIGNER : STEPHEN MARCHETTI
LAST MODIFIED DATE : 5-7-2007_14:14		SHEET 13 OF 15	

TEST DEVICES

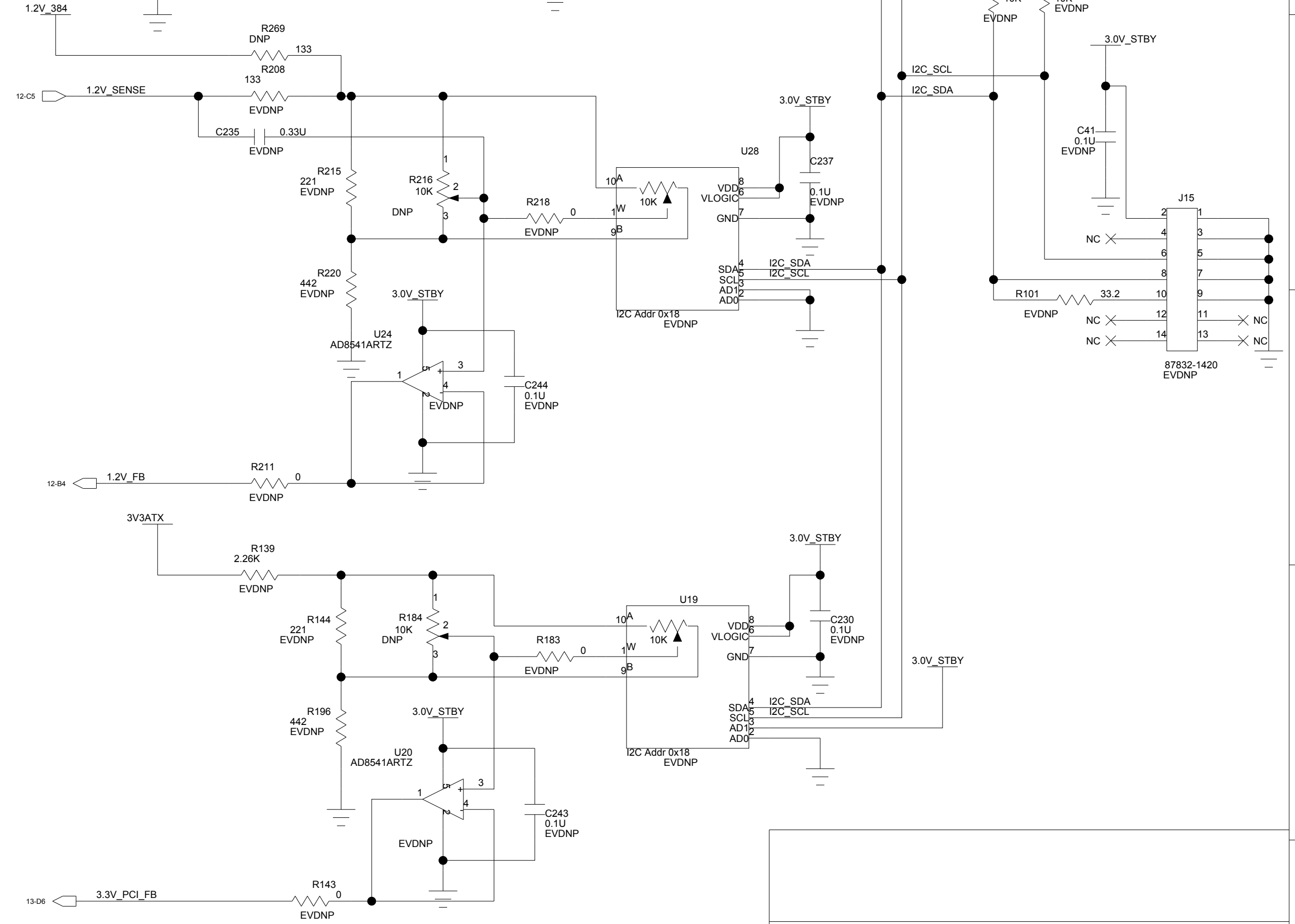
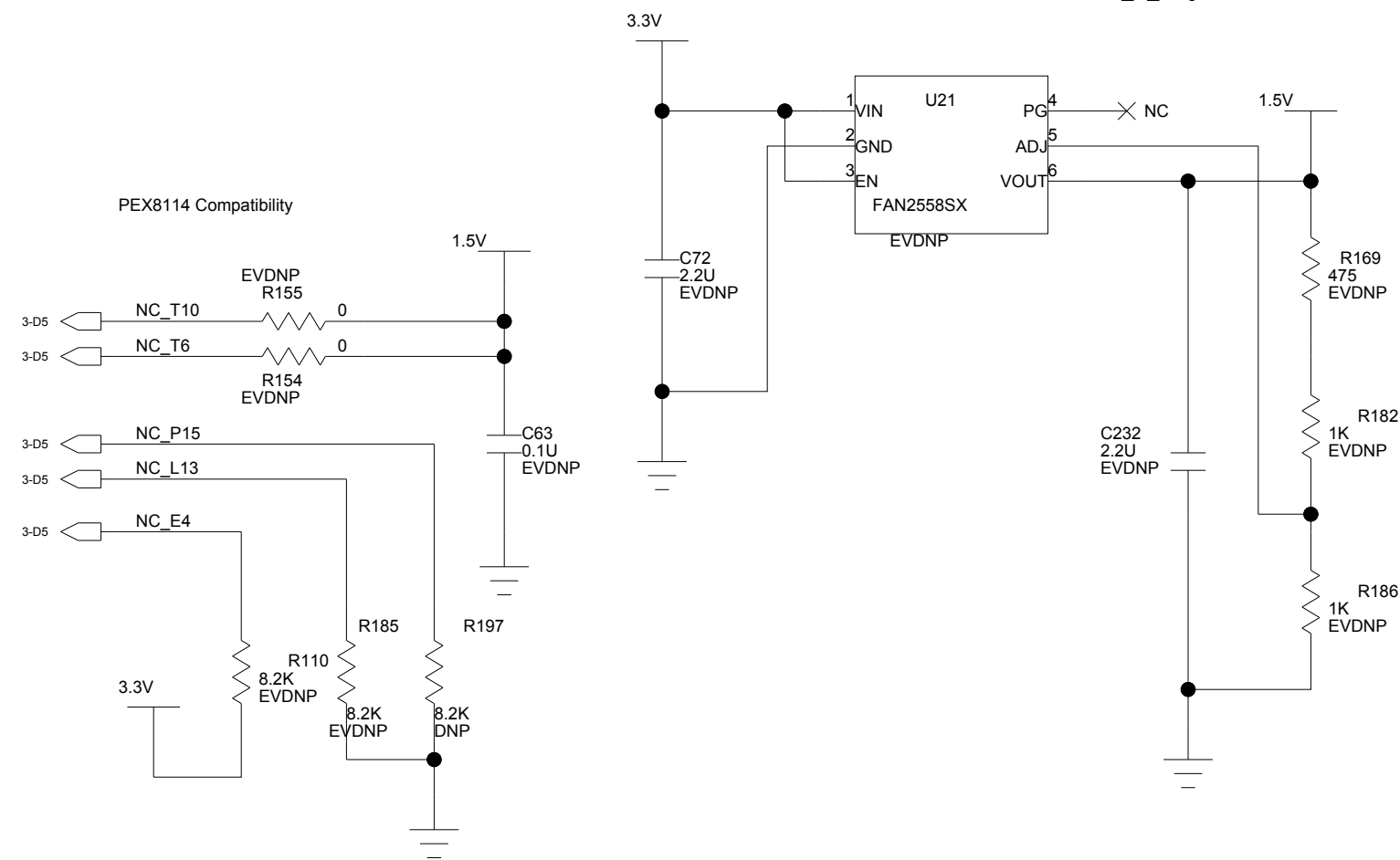
TSI384 V/I ADC



ANALOG SUPPLY



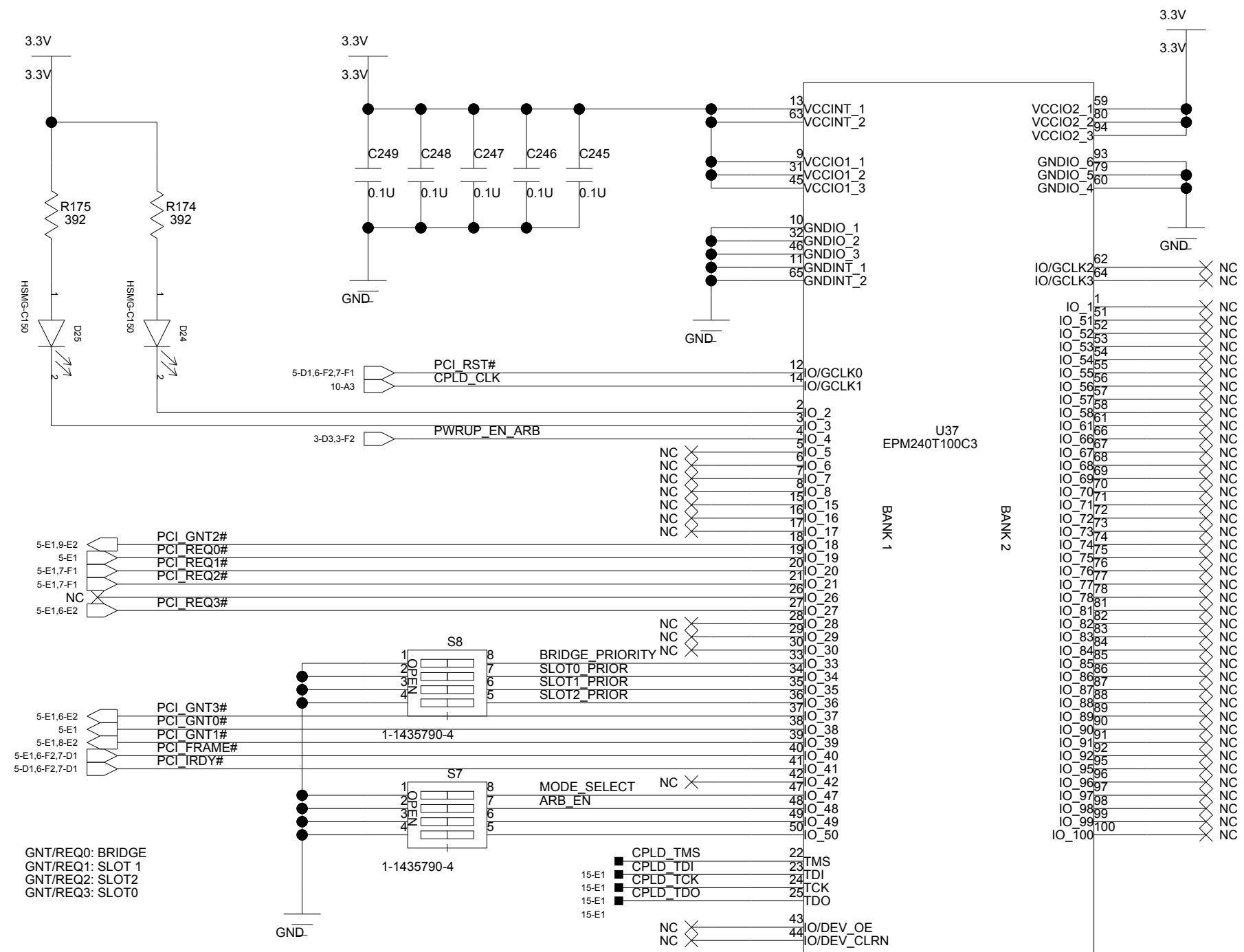
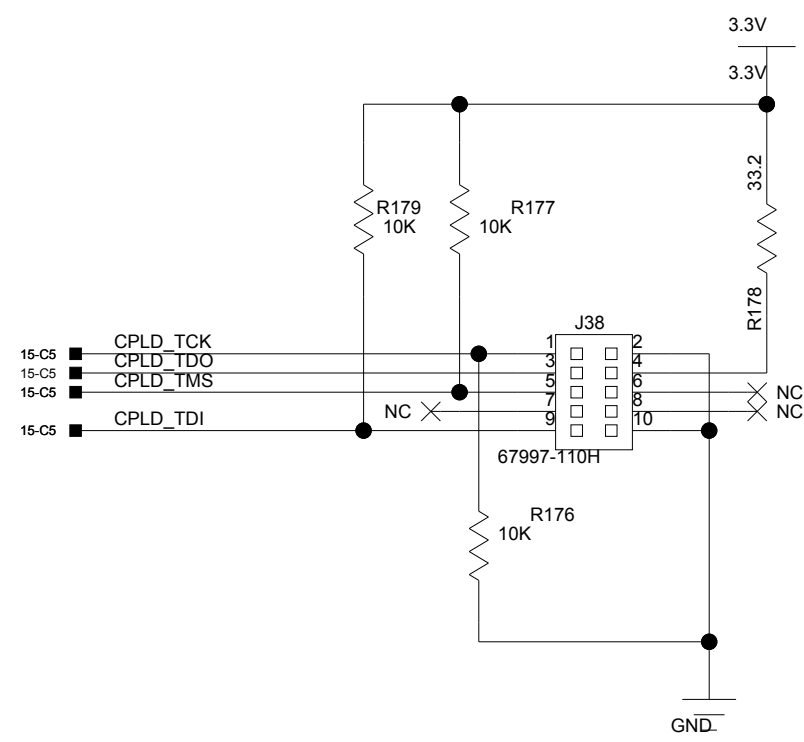
PEX8114 VTT Supply



TITLE : TEST DEVICES			
SIZE C	DRAWING NUMBER : 60E1000_SC002	Version: 1.0	DESIGNER : STEPHEN MARCHETTI
LAST MODIFIED DATE : 5-7-2007_16:29		SHEET 14 OF 15	

TEST DEVICES CONT'D

PCI/X ARBITER



TITLE :			
TEST DEVICES CONT'D			
SIZE	DRAWING NUMBER :	Version:	DESIGNER :
C	60E1000_SC002	1.0	STEPHEN MARCHETTI
LAST MODIFIED DATE :			SHEET
5-7-2007_14:14			15 OF 15