

IDT_5P49V5943_44_EVAL_BOARD
REV : 1

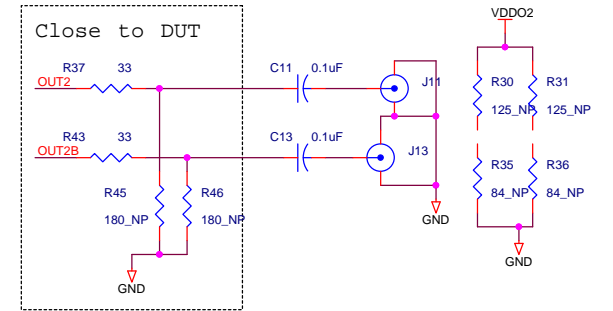
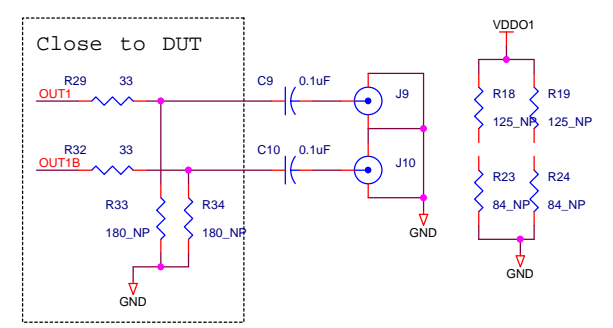
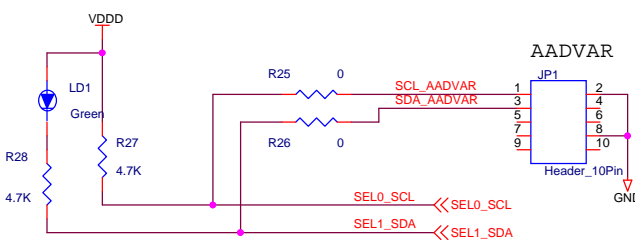
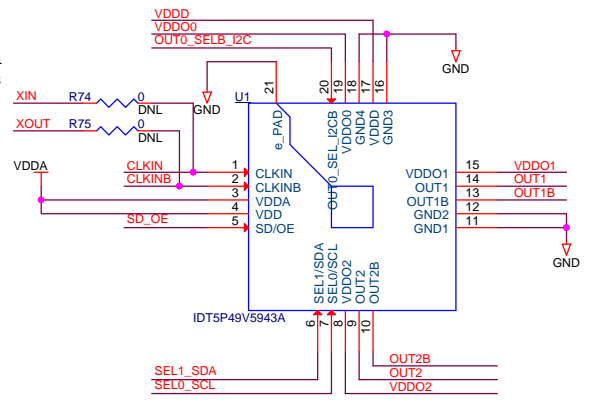
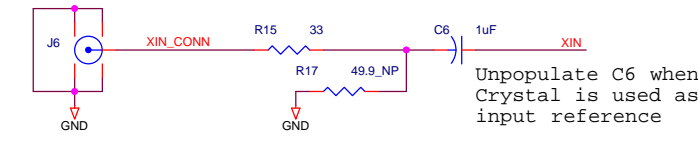
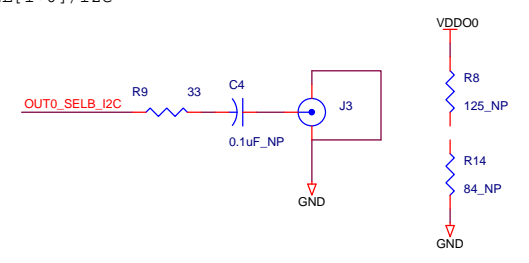
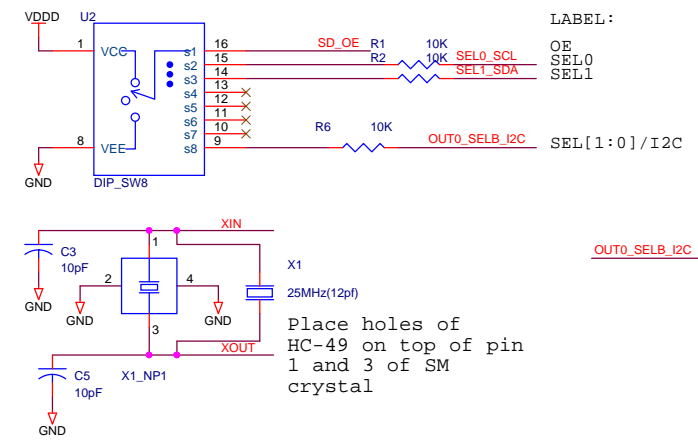
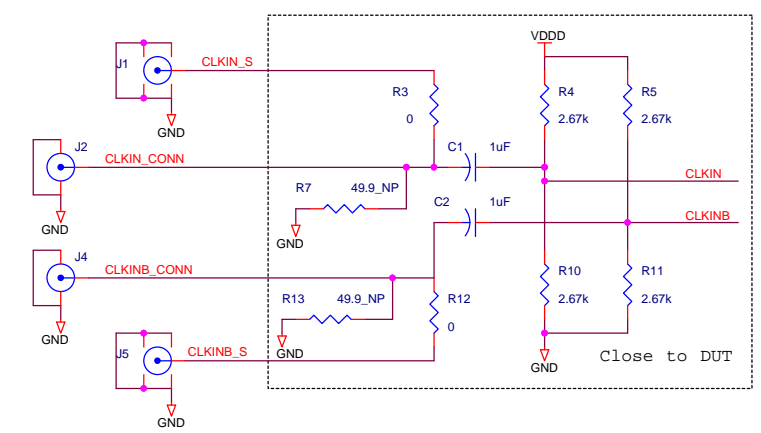
PAGE 01 : TITLE_PAGE

PAGE 02 : VC5

PAGE 03 : POWER CONNECTION

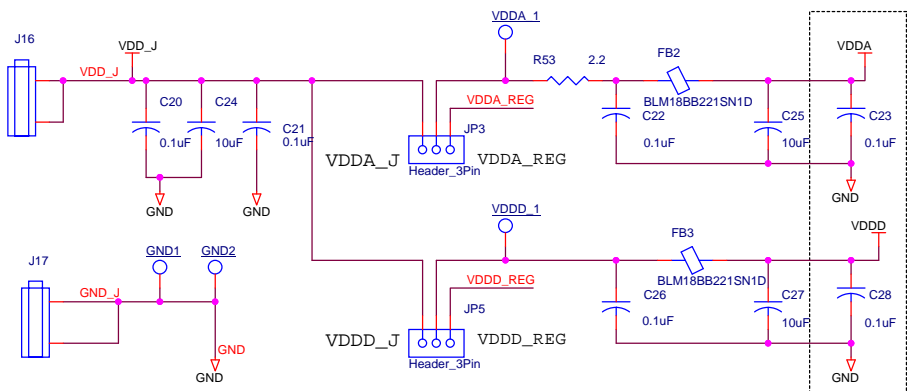
PAGE 04 : I2CMODULE

Title		
IDT_5P49V5943_44_EVAL_BOARD_REV1		
Size	Document Number	Rev
B	305-PD-15-XXXX	1
Date:	Wednesday, March 04, 2015	Sheet 1 of 4



Title		
IDT_5P49V5943_44_EVAL_BOARD_REV1		
Size	Document Number	Rev
B	305-PD-15-XXXX	1
Date:	Wednesday, March 04, 2015	Sheet 2 of 4

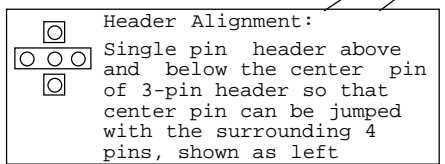
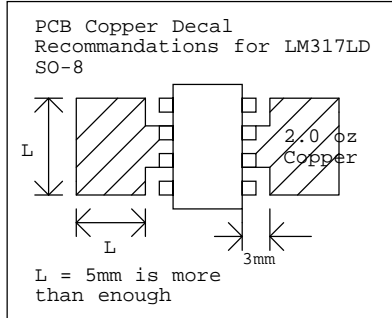
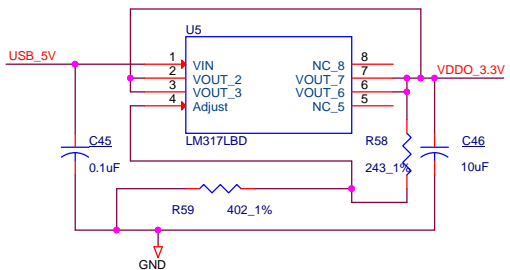
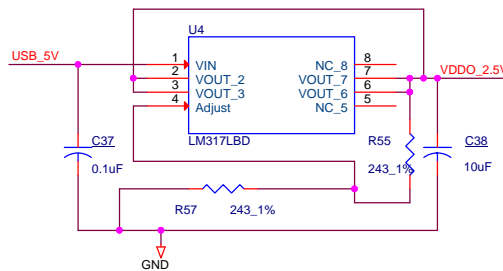
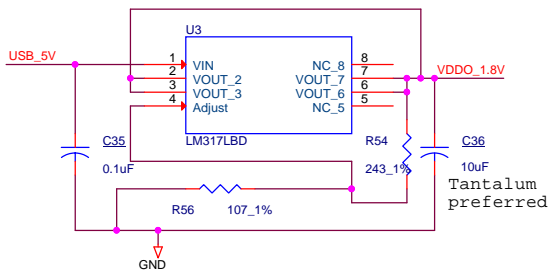
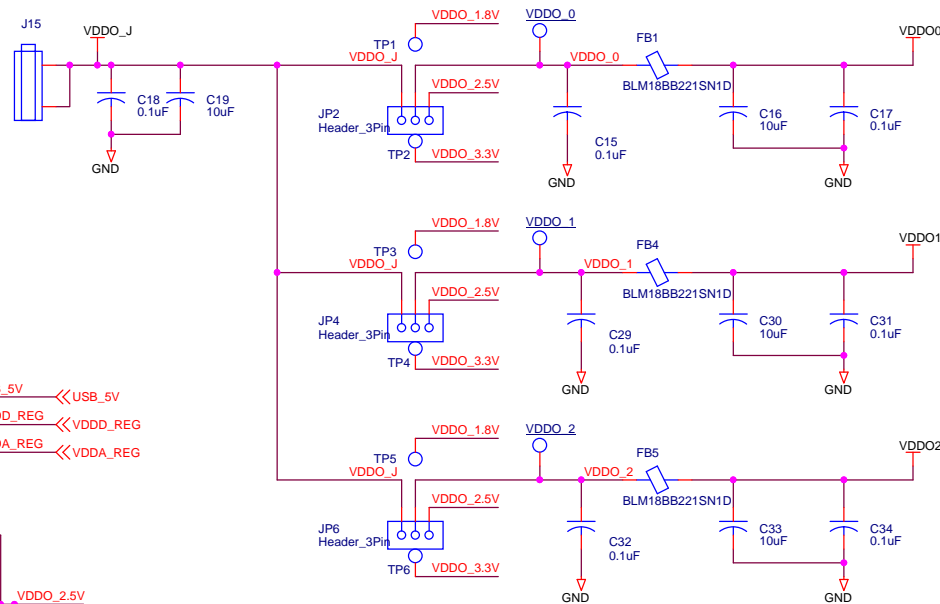
LABEL AS INDICATED FOR 3-PIN HEADERS



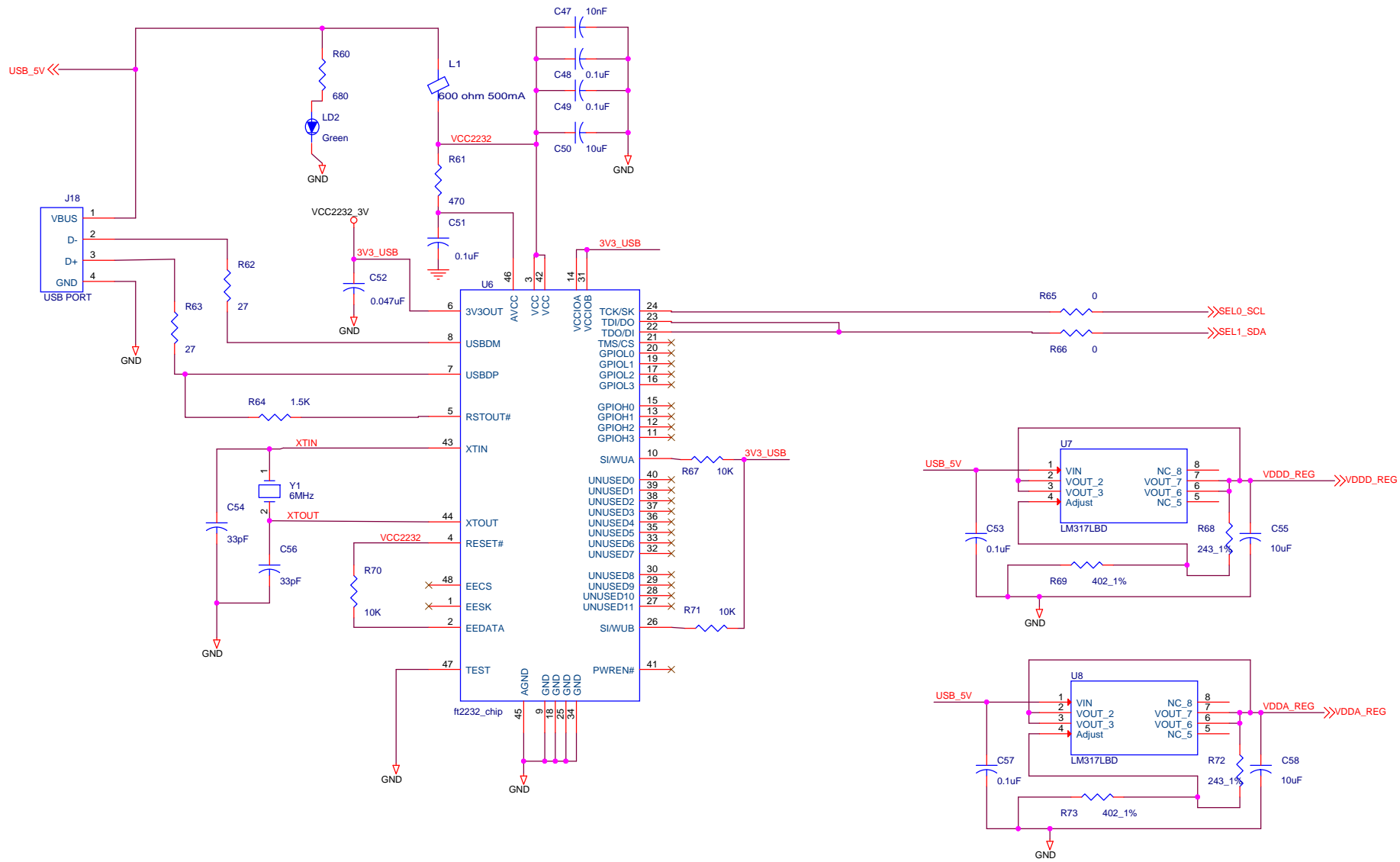
Locate near DUT power pin

USB_5V << USB_5V
 VDDD_REG << VDDD_REG
 VDDA_REG << VDDA_REG

LABEL ON EACH RESPECTIVE PIN OF HEADERS: 1.8V, 2.5V, 3.3V



Title		
IDT_5P49V5943_44_EVAL_BOARD_REV1		
Size	Document Number	Rev
B	305-PD-15-XXXX	1
Date:	Thursday, March 05, 2015	Sheet 3 of 4



Title		IDT_5P49V5943_44_EVAL_BOARD_REV1	
Size	Document Number	Rev	
B	305-PD-15-XXXX	1	
Date:	Wednesday, March 04, 2015	Sheet	4 of 4