

1

2

3

4

D

D

C

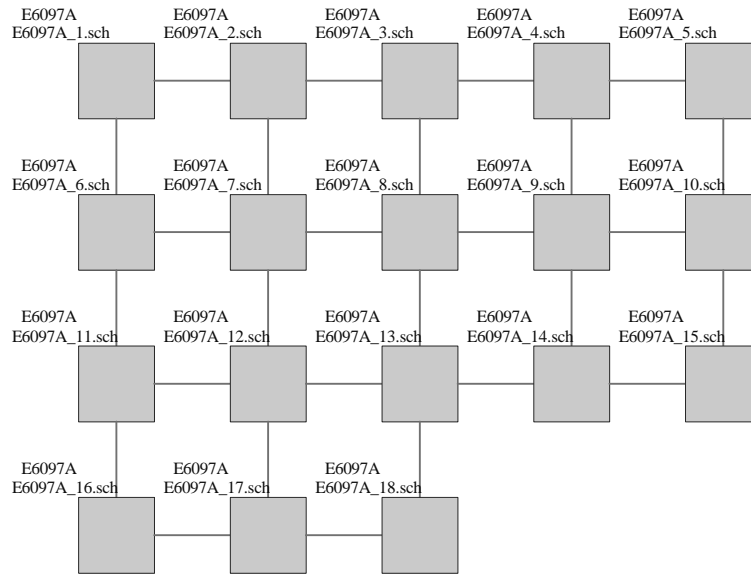
C

B

B

A

A



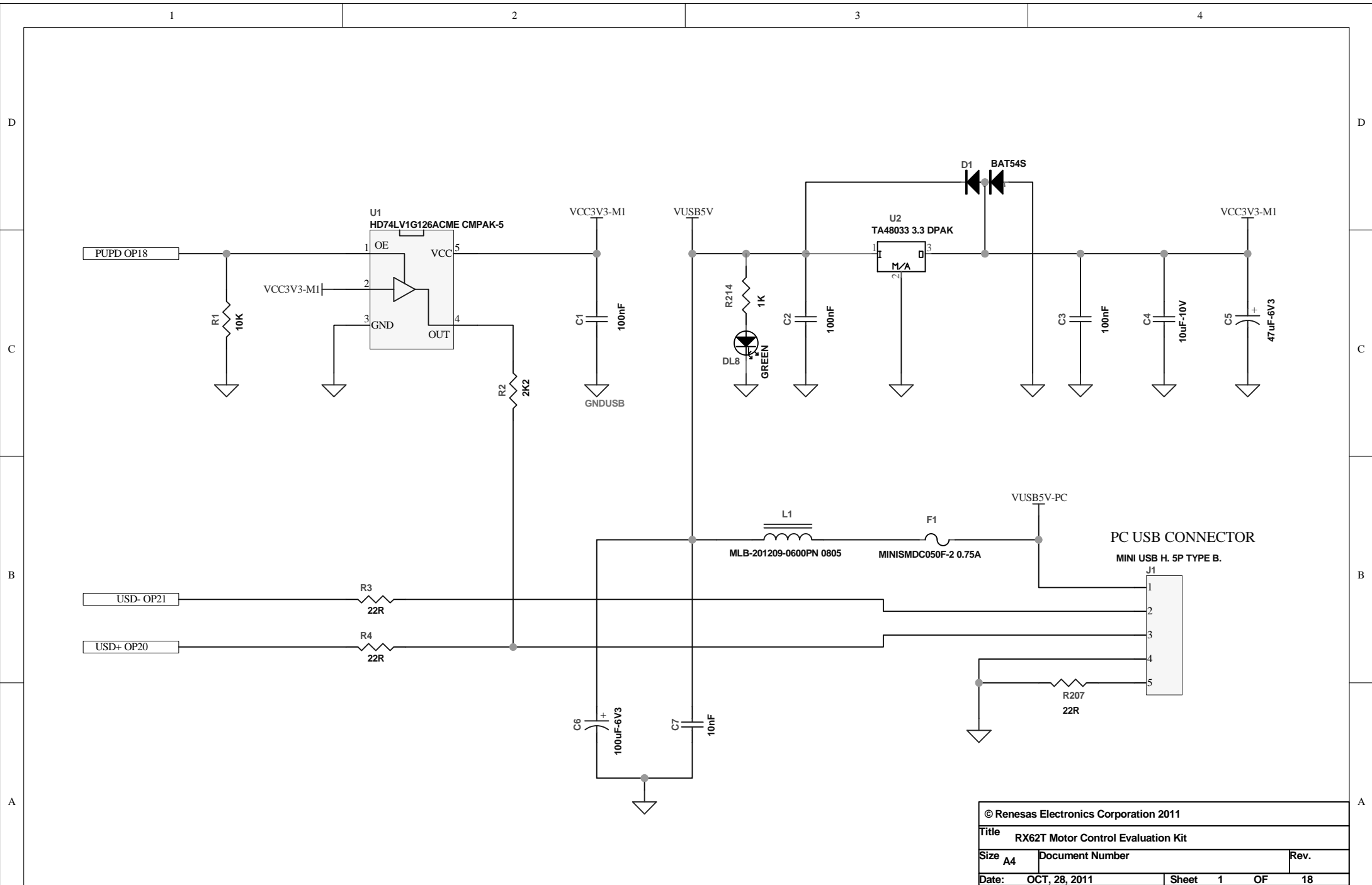
© Renesas Electronics Corporation 2011			
Title RX62T Motor Control Evaluation Kit			
Size A4	Document Number	Rev. 1	
Date: OCT, 28, 2011	Sheet 0	OF 18	

1

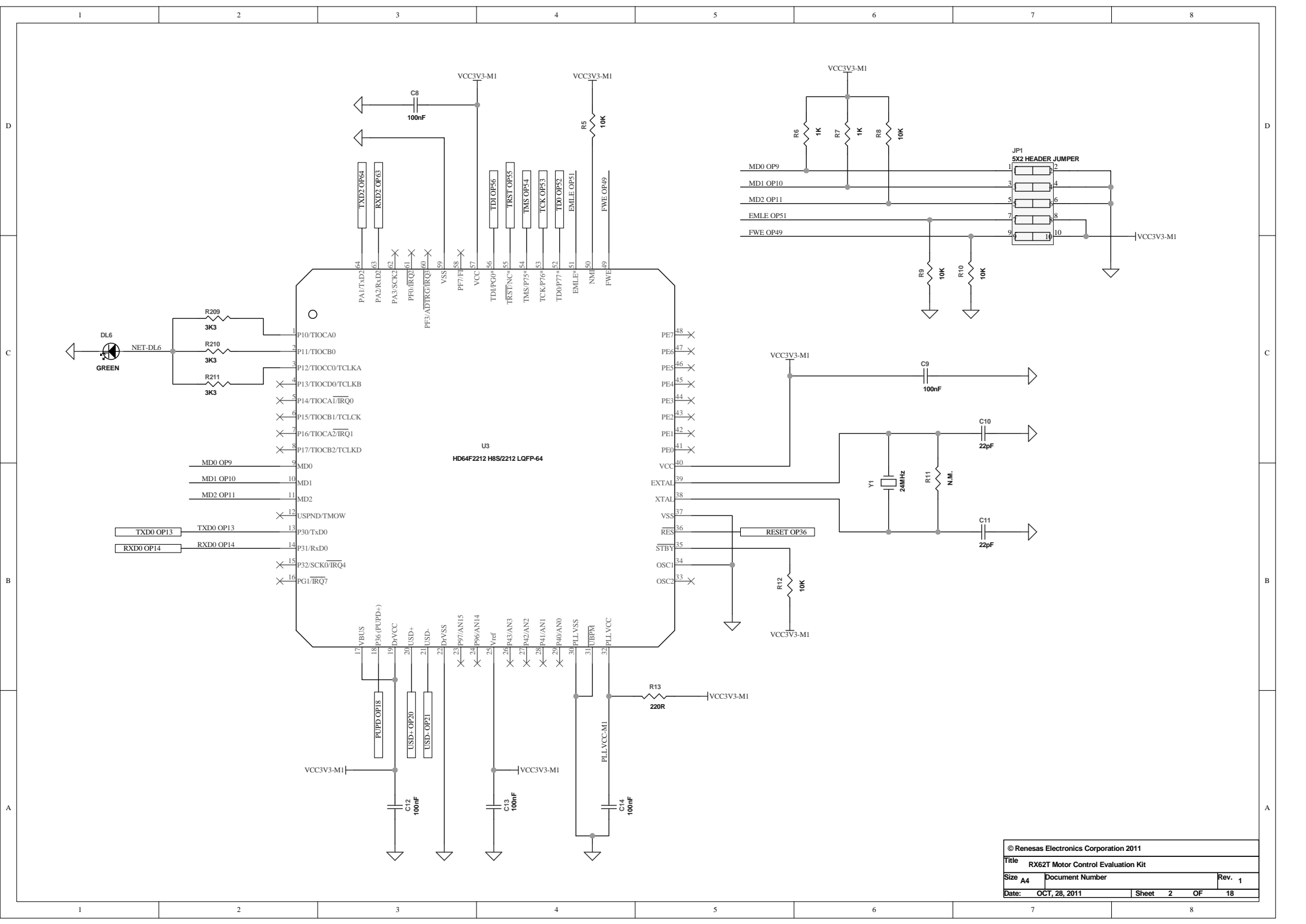
2

3

4

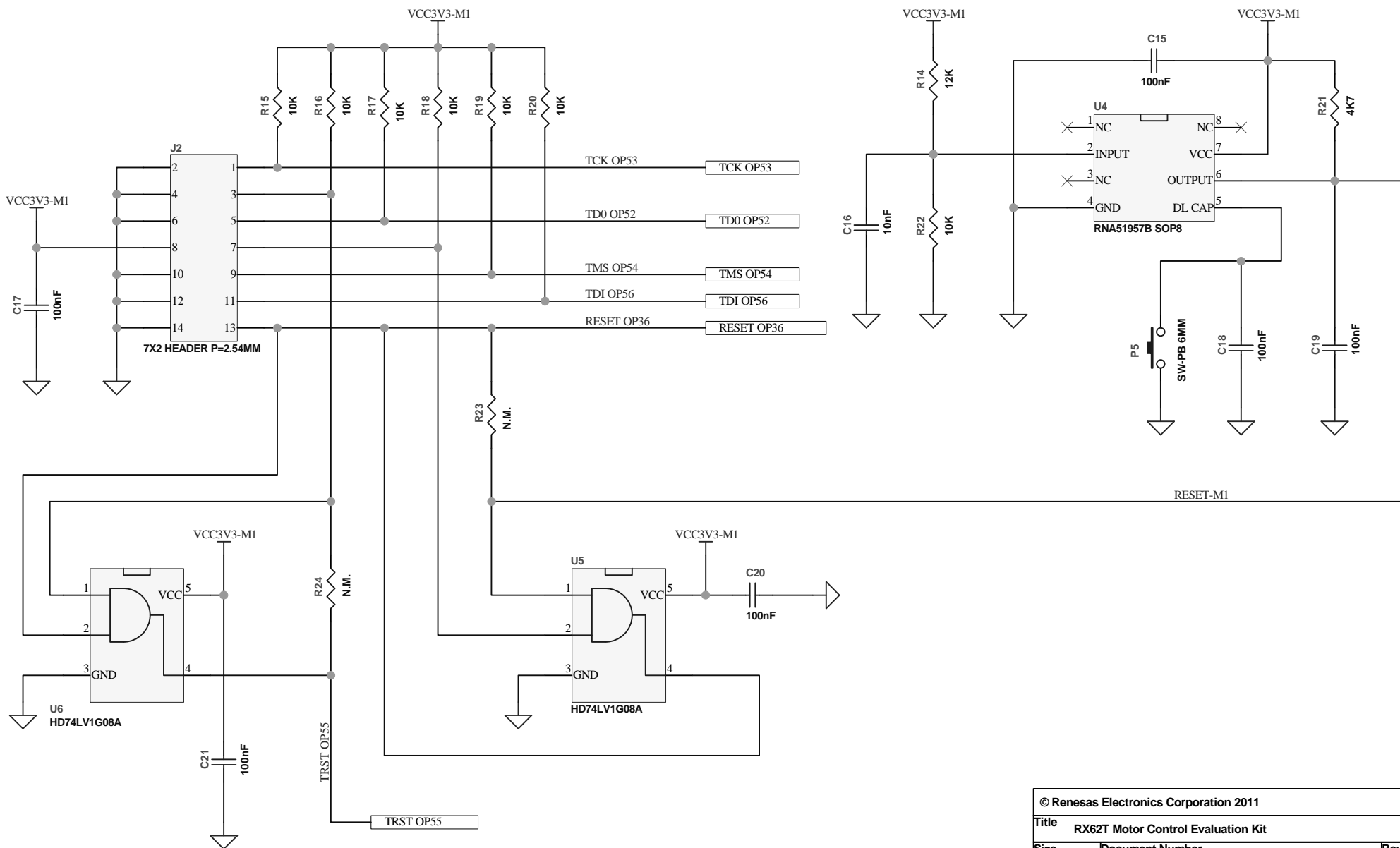


© Renesas Electronics Corporation 2011			
Title RX62T Motor Control Evaluation Kit			
Size A4	Document Number	Rev.	
Date: OCT, 28, 2011	Sheet 1	OF	18

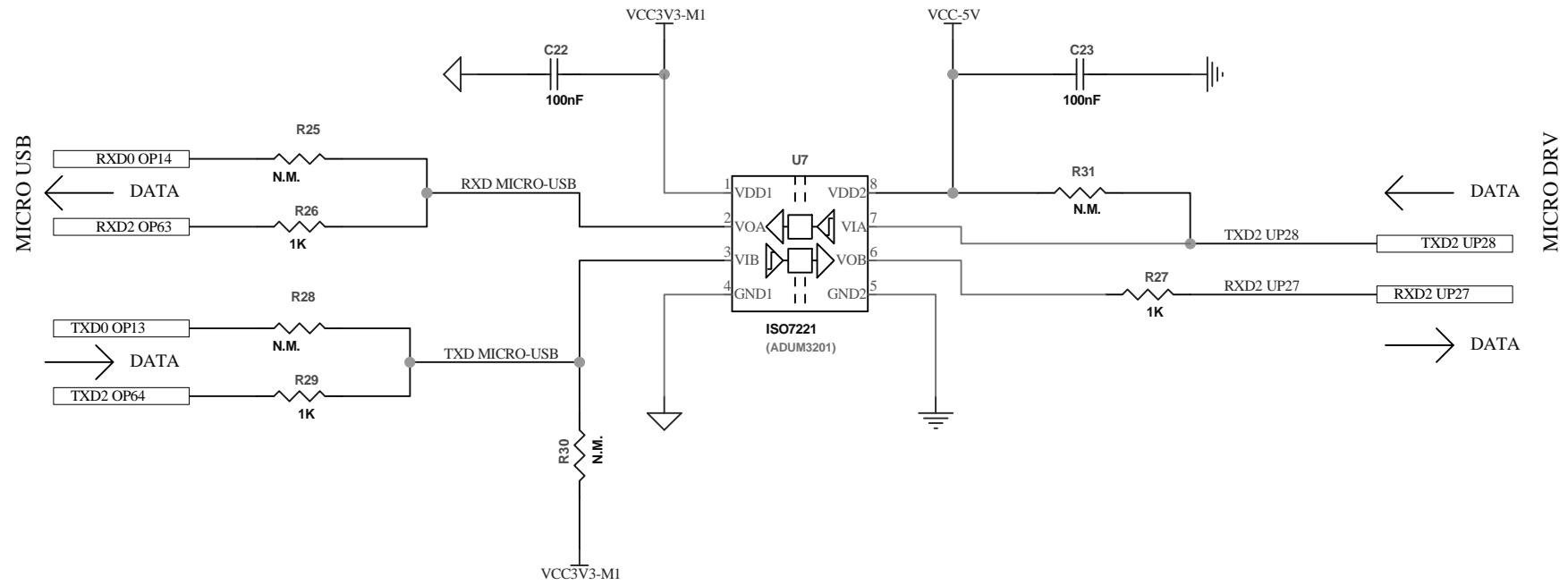


PROG DEBUG E10

RESET

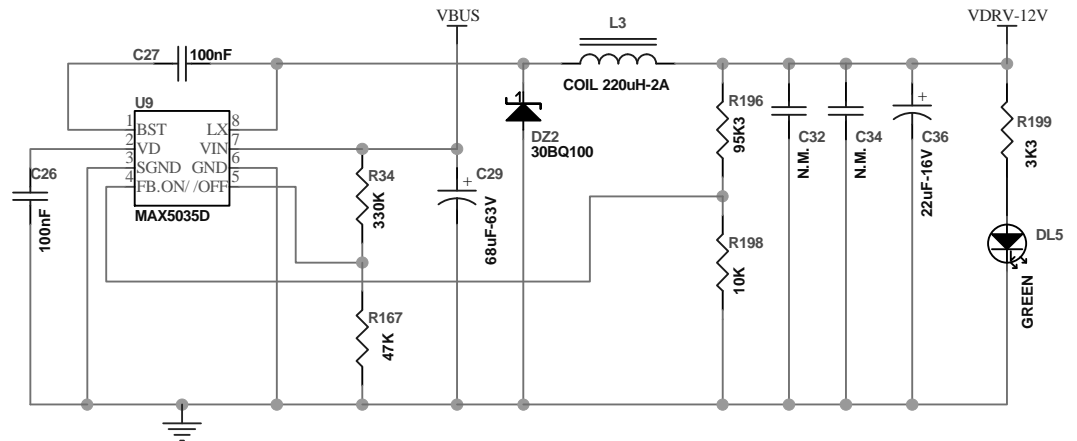
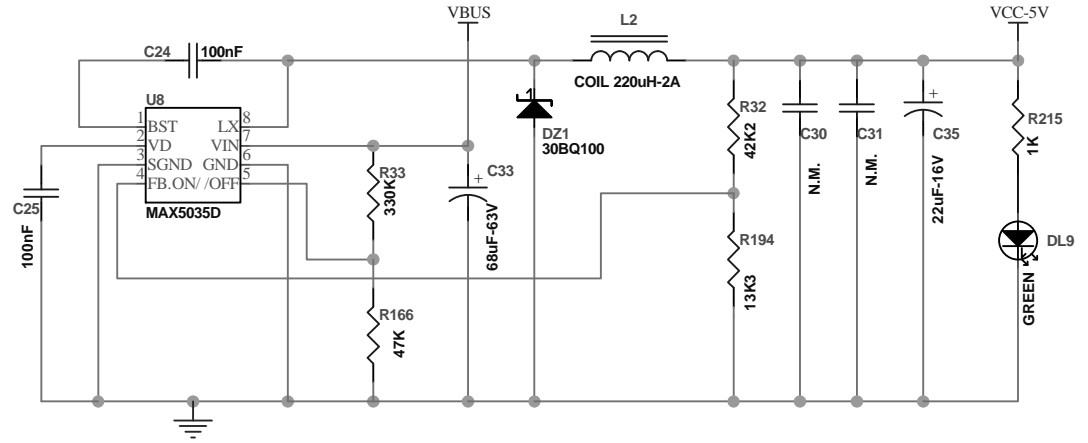
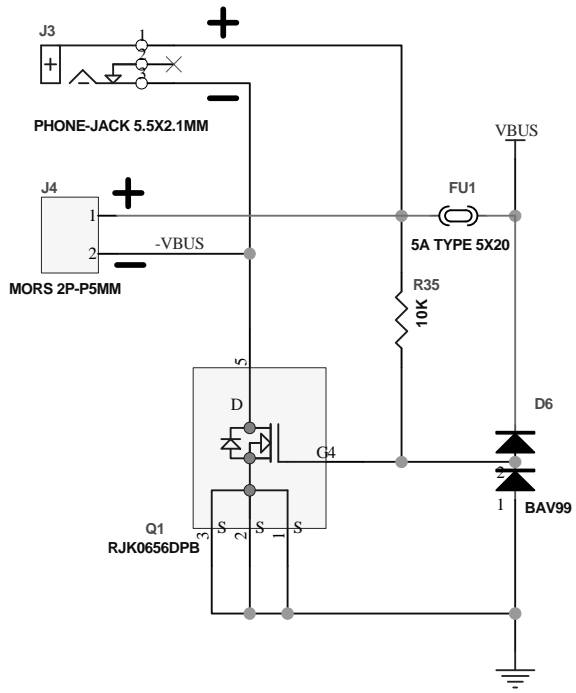


INSULATED COMMUNICATION BETWEEN MICROCONTROLLERS

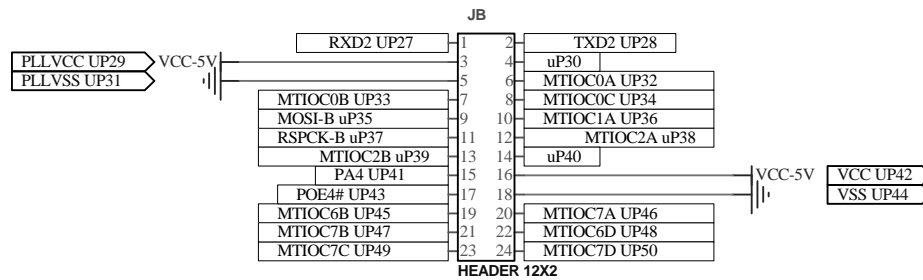
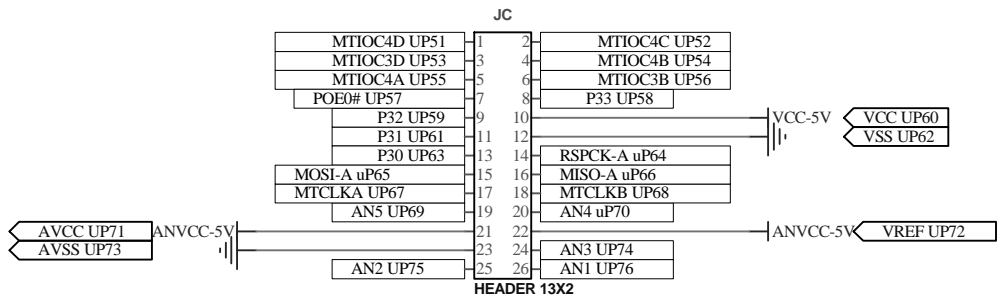
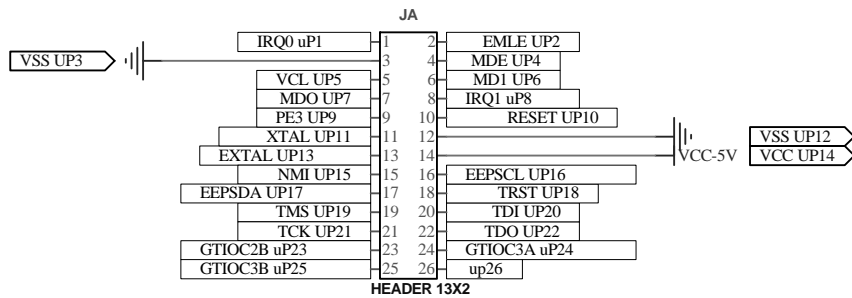
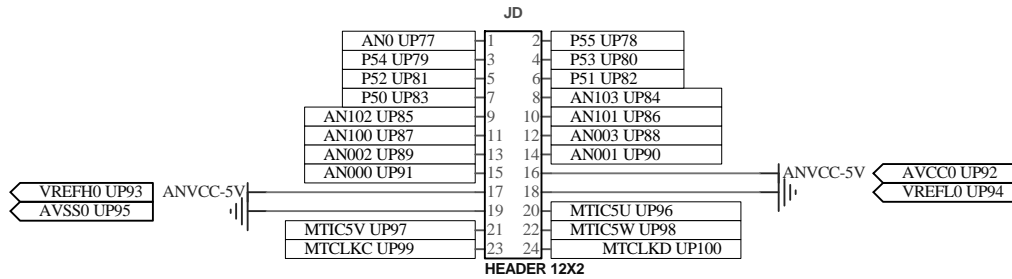


© Renesas Electronics Corporation 2011		
Title RX62T Motor Control Evaluation Kit		
Size A4	Document Number	Rev. 1
Date: OCT, 28, 2011	Sheet 4 OF 18	

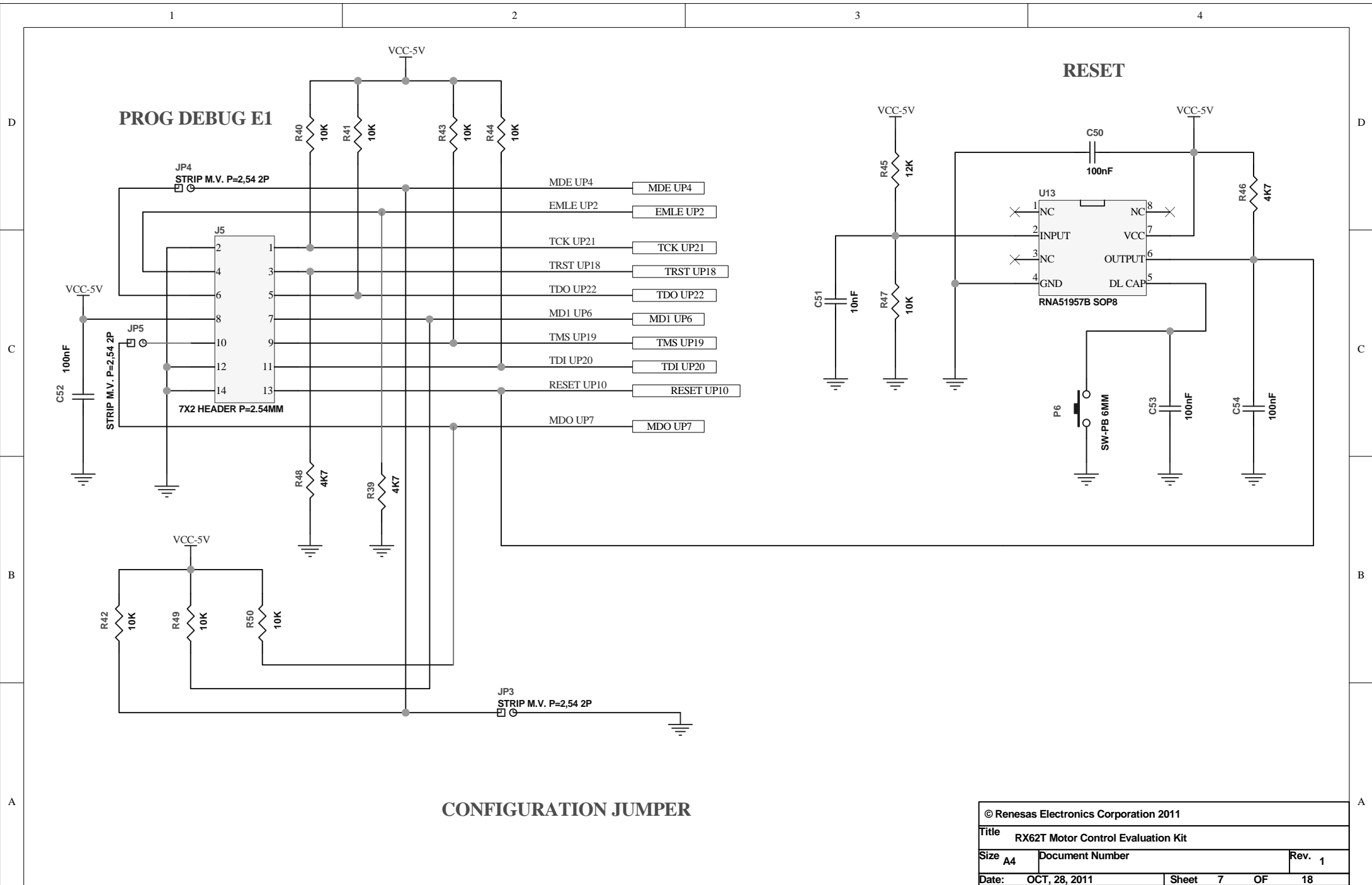
REVERSE POWER PROTECTION



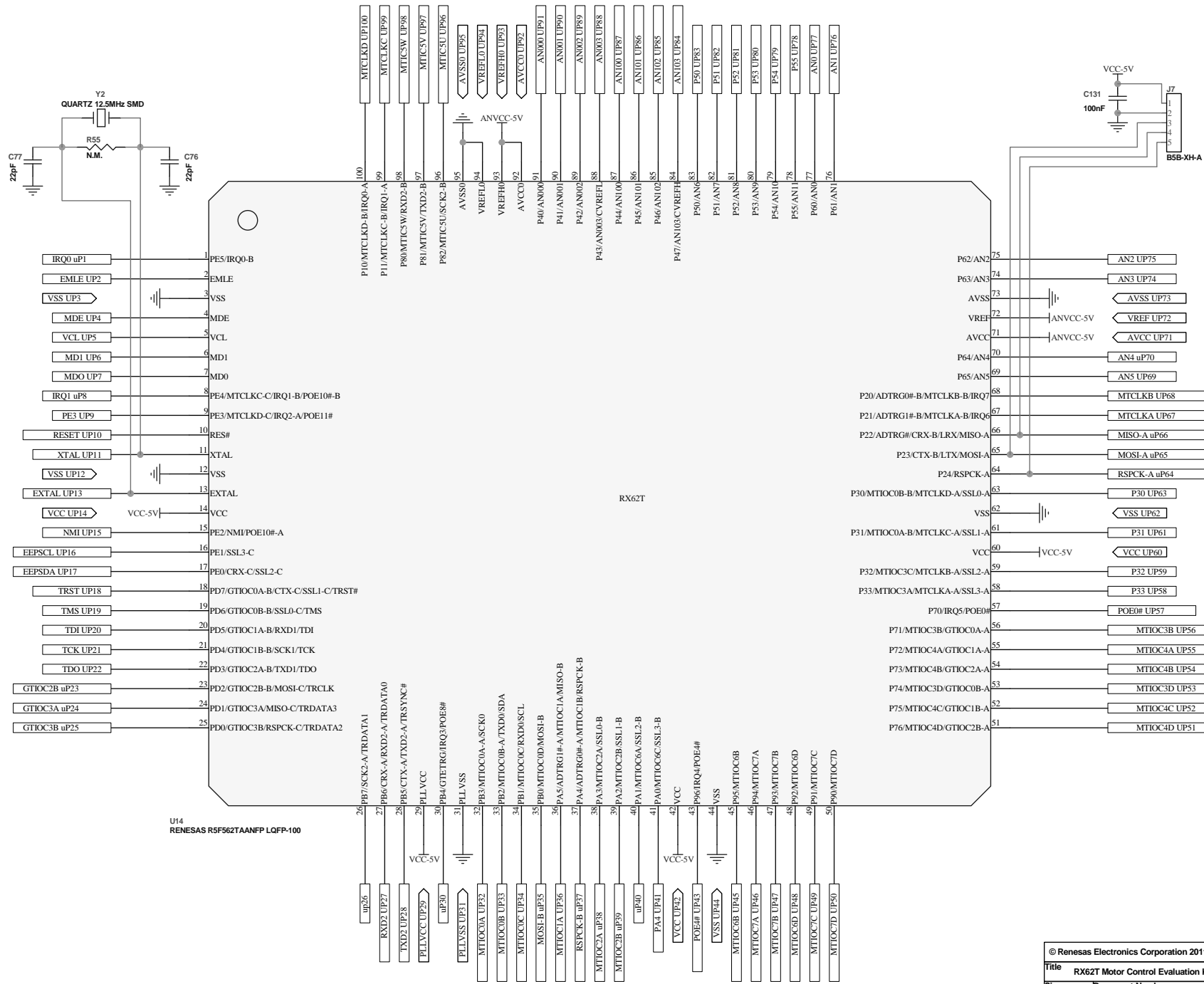
© Renesas Electronics Corporation 2011			
Title RX62T Motor Control Evaluation Kit			
Size A4	Document Number	Rev. 1	
Date: OCT, 28, 2011	Sheet 5	OF	18

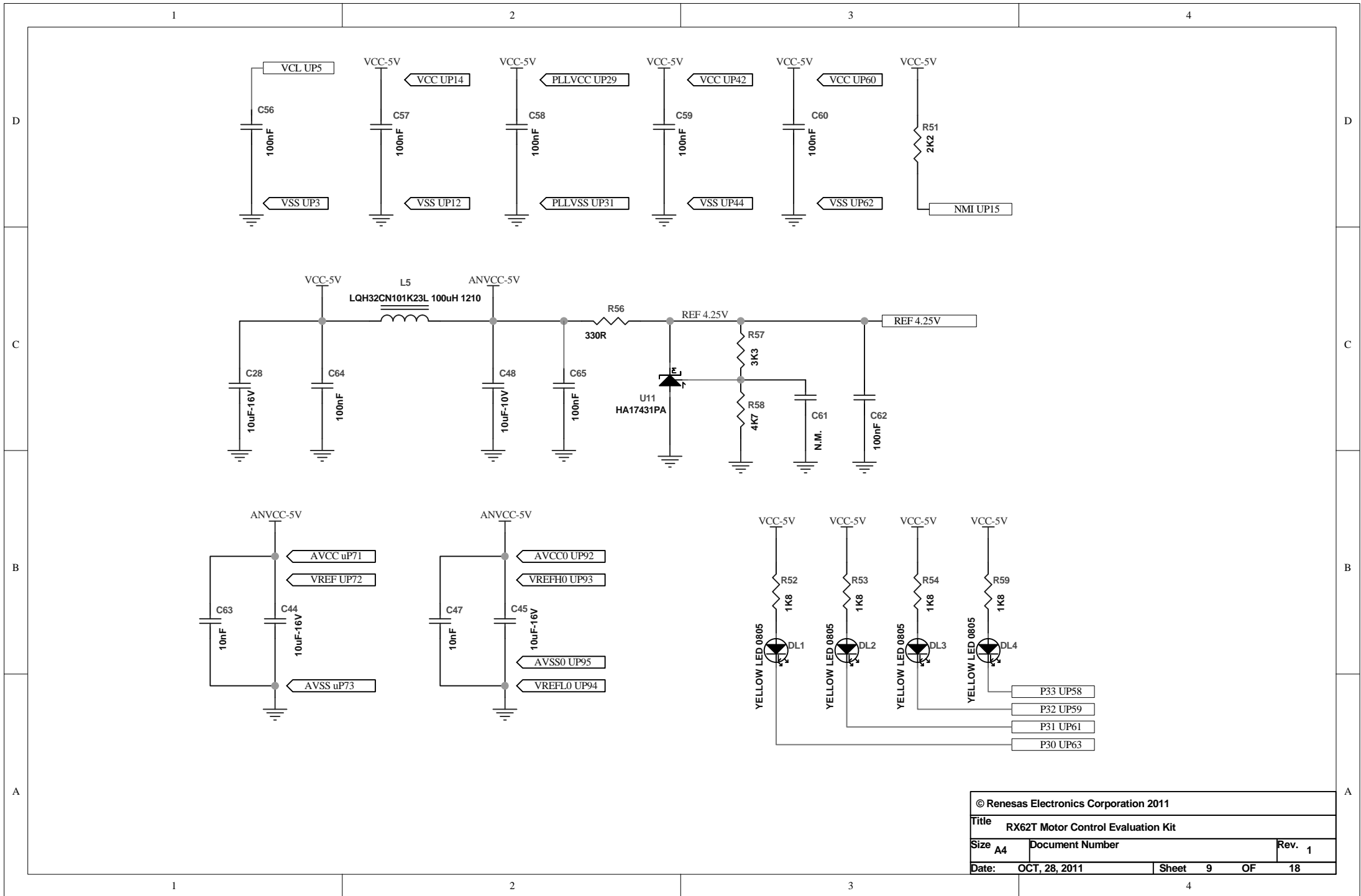


© Renesas Electronics Corporation 2011			
Title RX62T Motor Control Evaluation Kit			
Size A4	Document Number	Rev. 1	
Date: OCT, 28, 2011	Sheet 6	OF	18

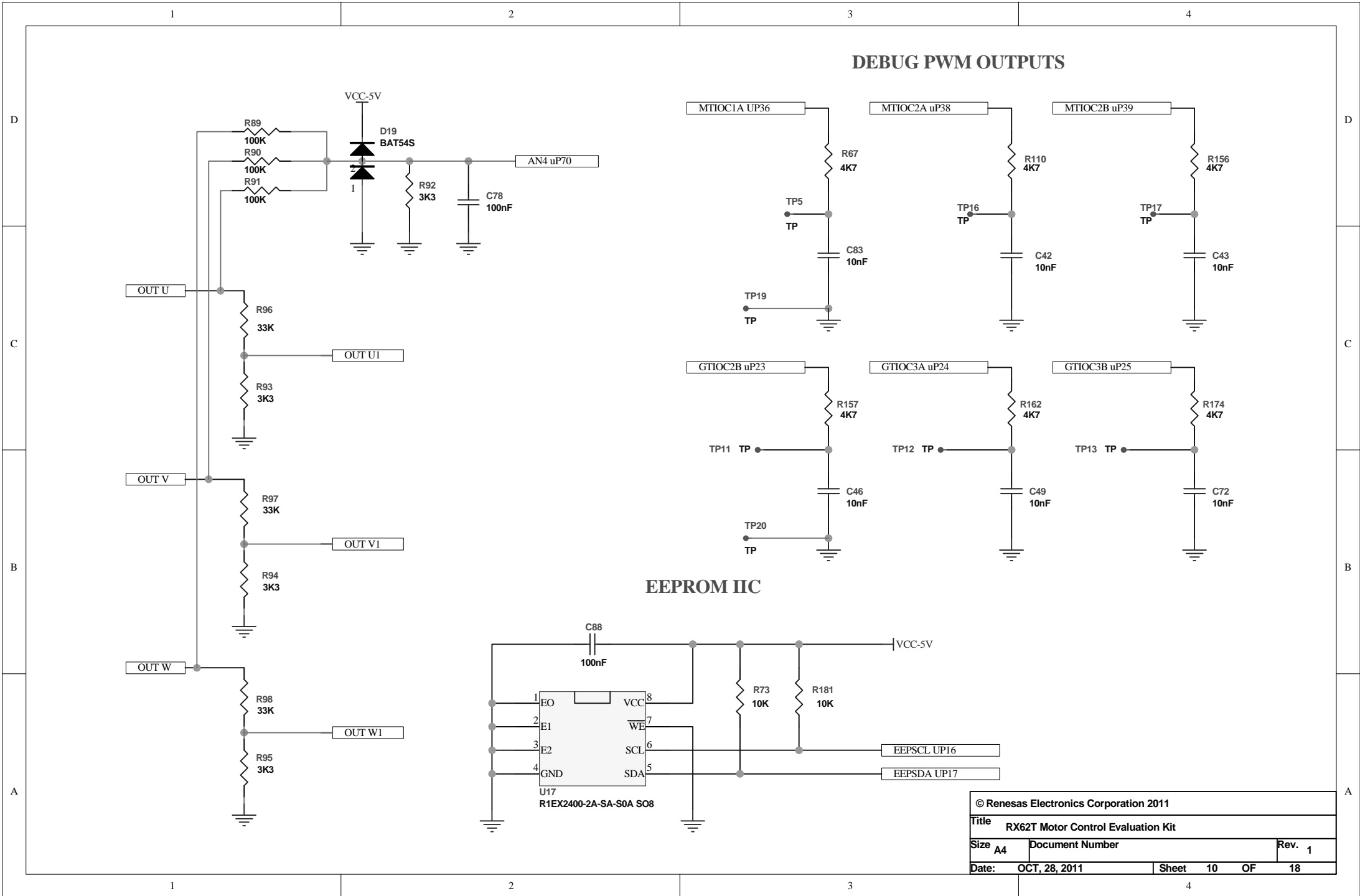


© Renesas Electronics Corporation 2011			
Title RX62T Motor Control Evaluation Kit			
Size A4	Document Number	Rev. 1	
Date: OCT, 28, 2011	Sheet 7	OF 18	





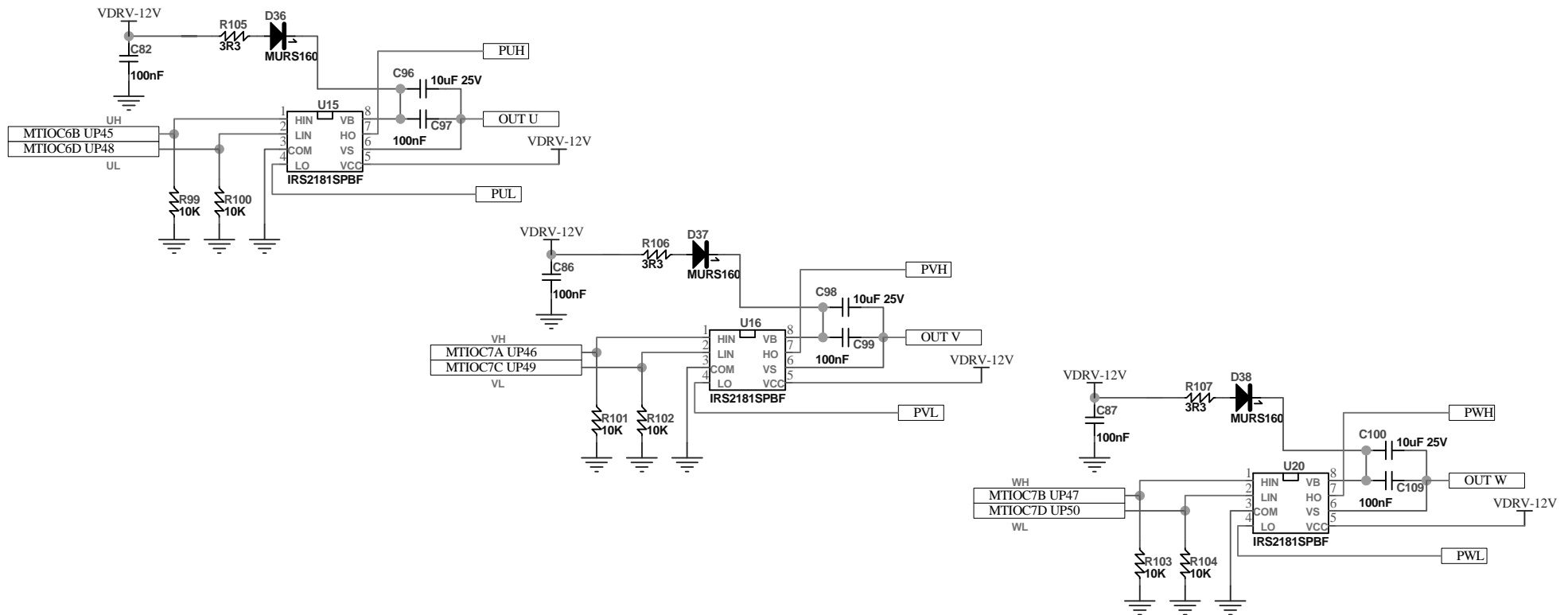
© Renesas Electronics Corporation 2011		
Title RX62T Motor Control Evaluation Kit		
Size A4	Document Number	Rev. 1
Date: OCT, 28, 2011	Sheet 9	OF 18



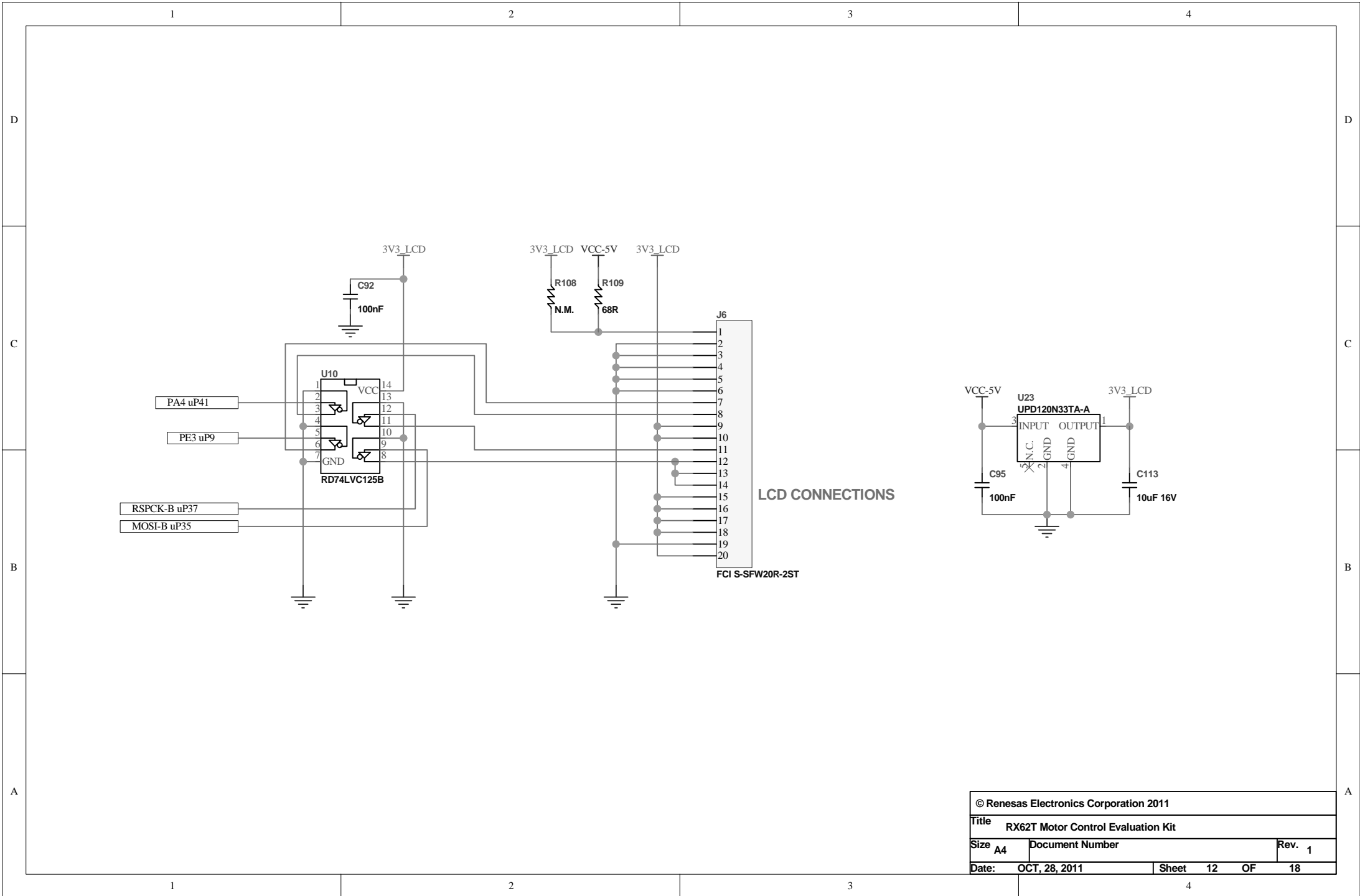
DEBUG PWM OUTPUTS

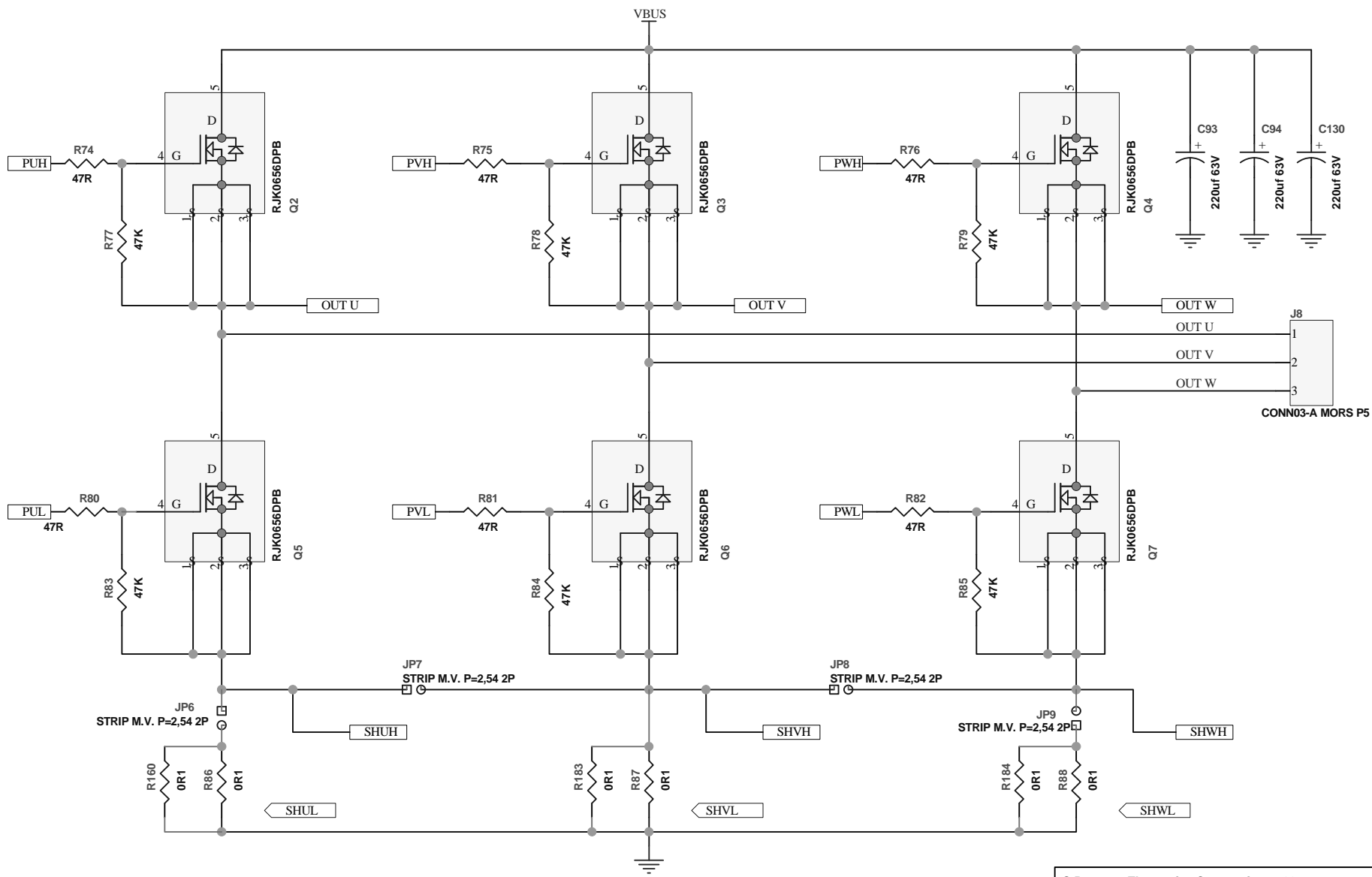
EEPROM IIC

© Renesas Electronics Corporation 2011			
Title RX62T Motor Control Evaluation Kit			
Size A4	Document Number	Rev. 1	
Date: OCT, 28, 2011	Sheet 10	OF	18

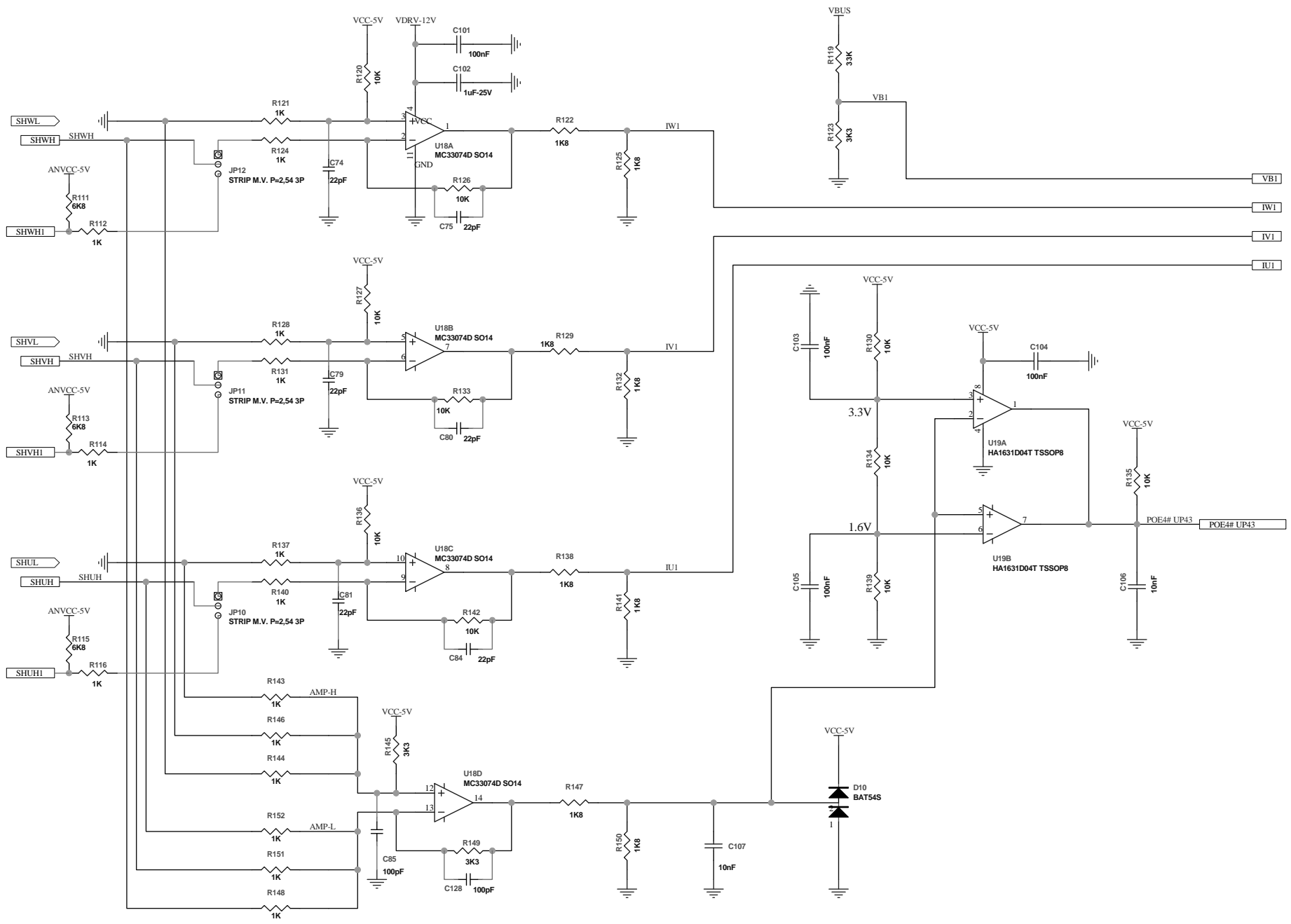


© Renesas Electronics Corporation 2011			
Title RX62T Motor Control Evaluation Kit			
Size A4	Document Number	Rev. 1	
Date: OCT, 28, 2011	Sheet 11	OF	18





© Renesas Electronics Corporation 2011			
Title RX62T Motor Control Evaluation Kit			
Size A4	Document Number	Rev. 1	
Date: OCT, 28, 2011	Sheet 13	OF	18



1

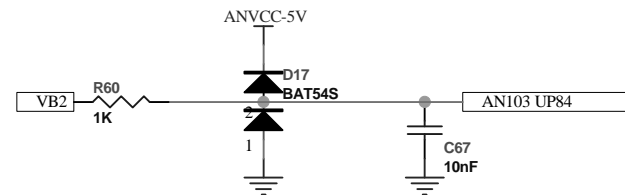
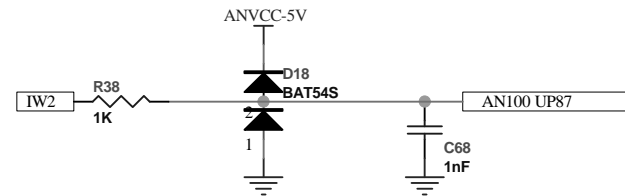
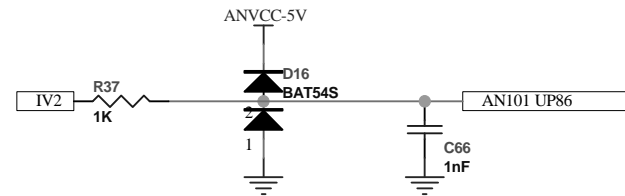
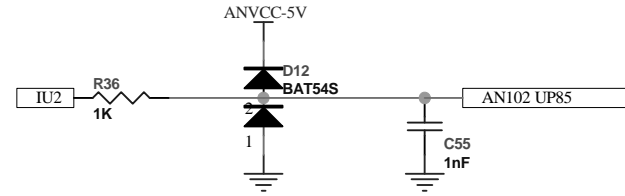
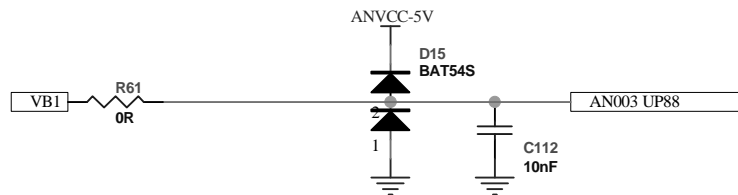
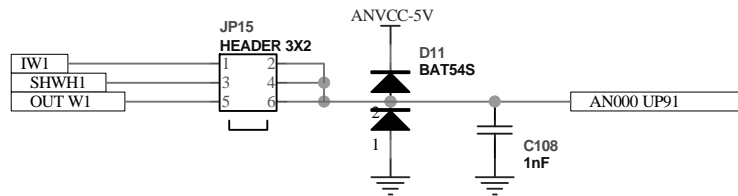
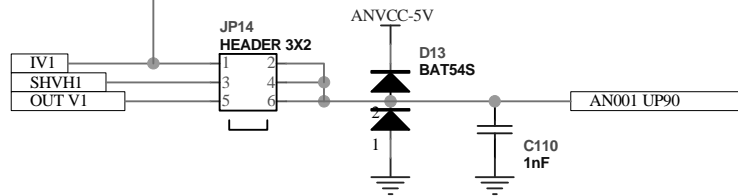
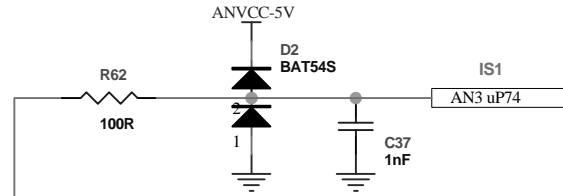
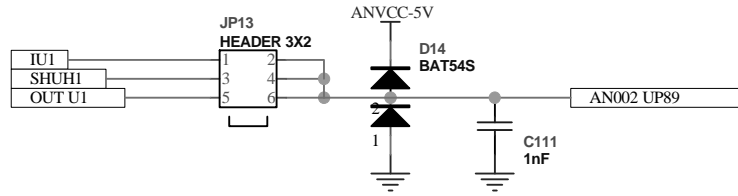
2

3

4

D

D



C

C

B

B

A

A

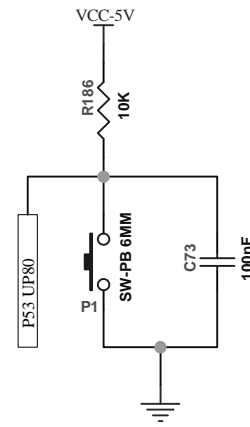
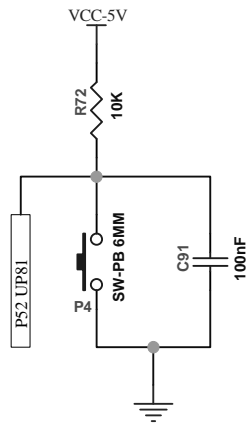
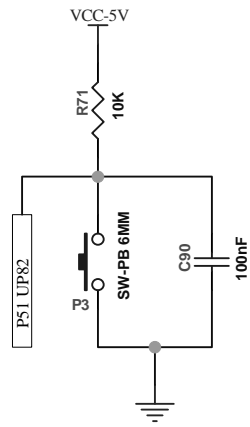
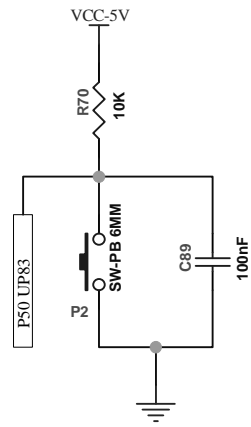
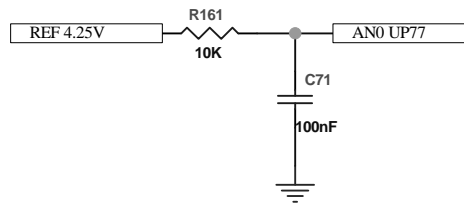
1

2

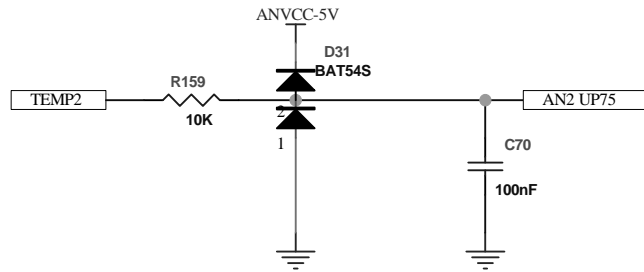
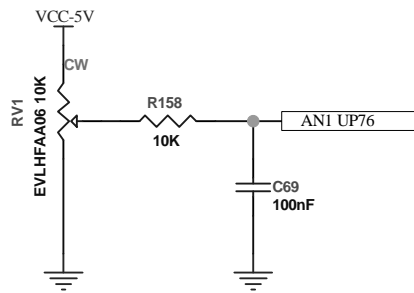
3

4

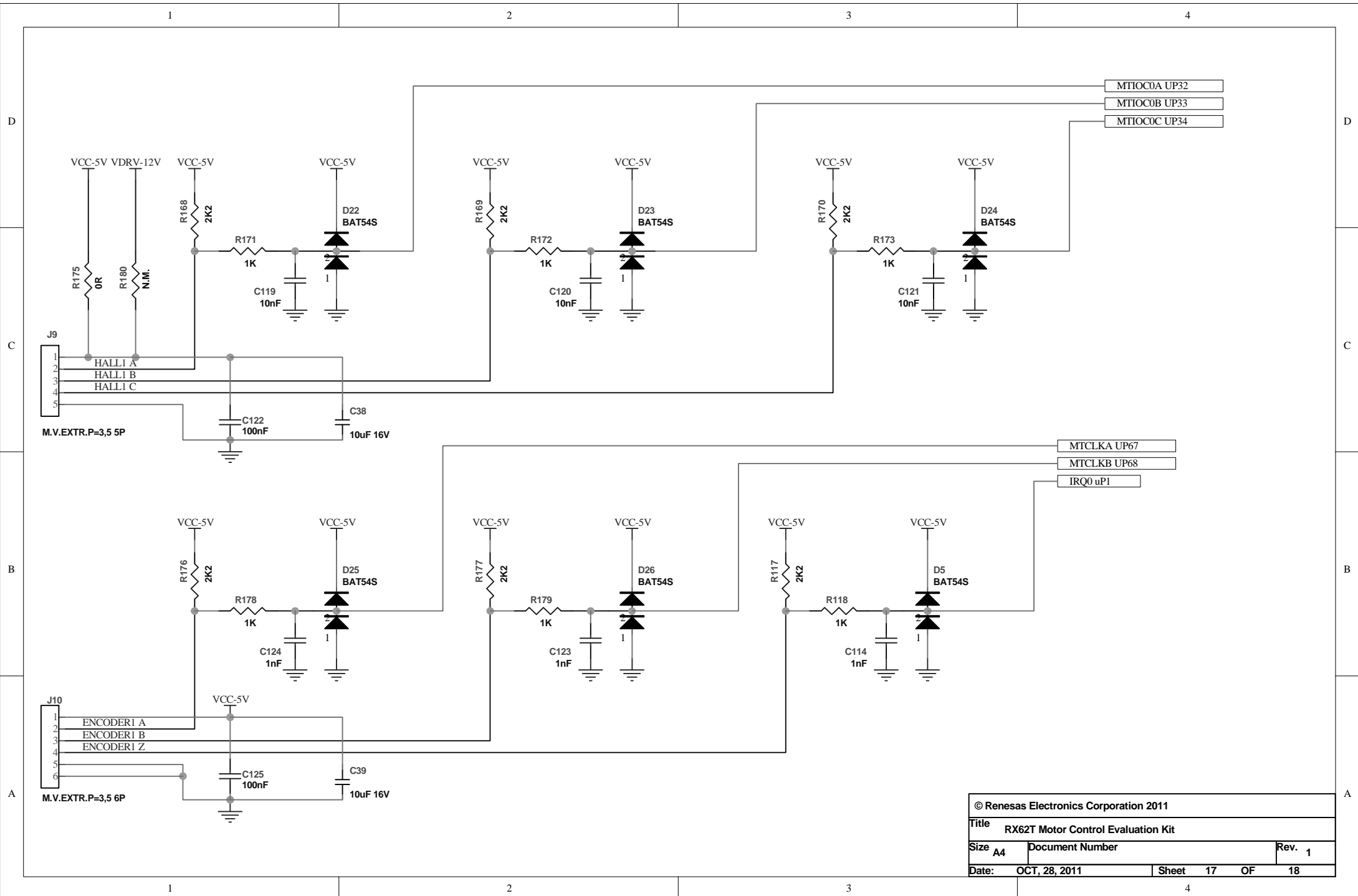
© Renesas Electronics Corporation 2011			
Title RX62T Motor Control Evaluation Kit			
Size A4	Document Number	Rev. 1	
Date: OCT, 28, 2011	Sheet 15	OF	18



START/STOP FORWARD REVERSE MODE



© Renesas Electronics Corporation 2011		
Title RX62T Motor Control Evaluation Kit		
Size A4	Document Number	Rev. 1
Date: OCT, 28, 2011	Sheet 16 OF	18



J9
 1 HALLI A
 2 HALLI B
 3 HALLI C
 4
 5
 M.V.EXTR.P=3,5 5P

J10
 1 ENCODER1 A
 2 ENCODER1 B
 3 ENCODER1 Z
 4
 5
 6
 M.V.EXTR.P=3,5 6P

MTIOC0A UP32
 MTIOC0B UP33
 MTIOC0C UP34

MTCLKA UP67
 MTCLKB UP68
 IRQ0 uP1

© Renesas Electronics Corporation 2011			
Title RX62T Motor Control Evaluation Kit			
Size A4	Document Number	Rev. 1	
Date: OCT, 28, 2011	Sheet 17	OF	18

