

ISL78365

Automotive High-Speed Quad Laser Diode Driver

FN8831
Rev 2.00
October 20, 2016

The [ISL78365](#) high-speed, quadruple output Laser Diode Driver (LDD) is designed to support high speed RGB/RGGB laser scanning projection systems.

Each output driver channel consists of independent threshold and color DACs for greater laser control and flexibility. Separate scale DACs allow independent scaling of both threshold and color DAC output values to control the projector brightness or provide simple Automatic Power Calibration (APC) for laser based systems. Pixel data information is transferred through the LDD's high speed 10-bit parallel video interface. There are two parallel interface modes to allow three or four color pixel data to be entered efficiently. Pixel data employs a double data rate scheme, allowing video data to be transferred using both edges of the clock.

Applications

- RGB scanning laser projection system
- Laser-based projectors
- Generic laser-based applications requiring multiple independently controlled lasers or a single high current driver

Features

- High-speed quadruple output laser diode driver supporting up to 150MHz maximum output pixel clock
- Up to 750mA of peak current output per channel
- Fast output switching speeds with pulse rise/fall times of 1.5ns for crisp pixels
- Intersil laser voltage sampler function with integrated dynamic power optimization controller to dramatically minimize system power
- Flexible data order supports different RGB LD opto-mechanical placement
- Blanking time power reduction to reduce LDD current consumption
- Programmable multi-pulse Return to Zero (RTZ) function to provide maximum flexibility
- Single 3.3V supply and 1.8V video interface compatible for low power systems
- 3-wire SPI interface
- Operating temperature range: -40°C to +125°C
- [AEC-Q100](#) qualified

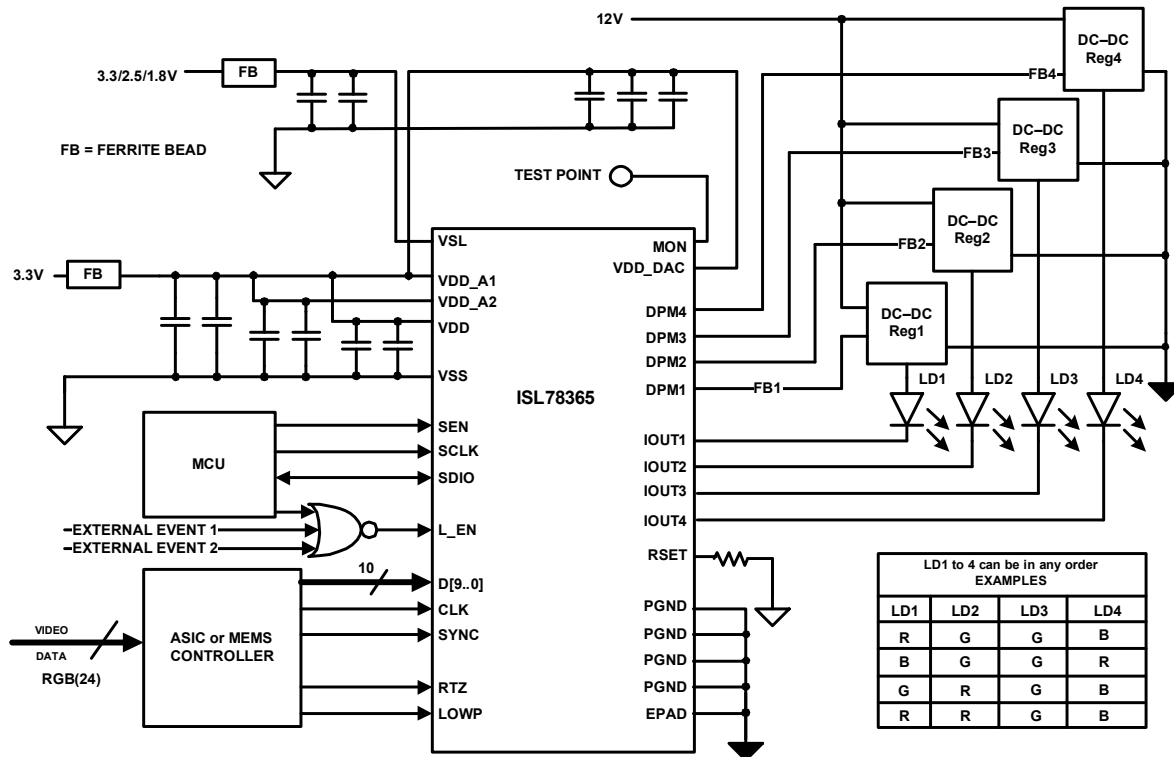


FIGURE 1. TYPICAL APPLICATION DIAGRAM

Functional Block Diagram

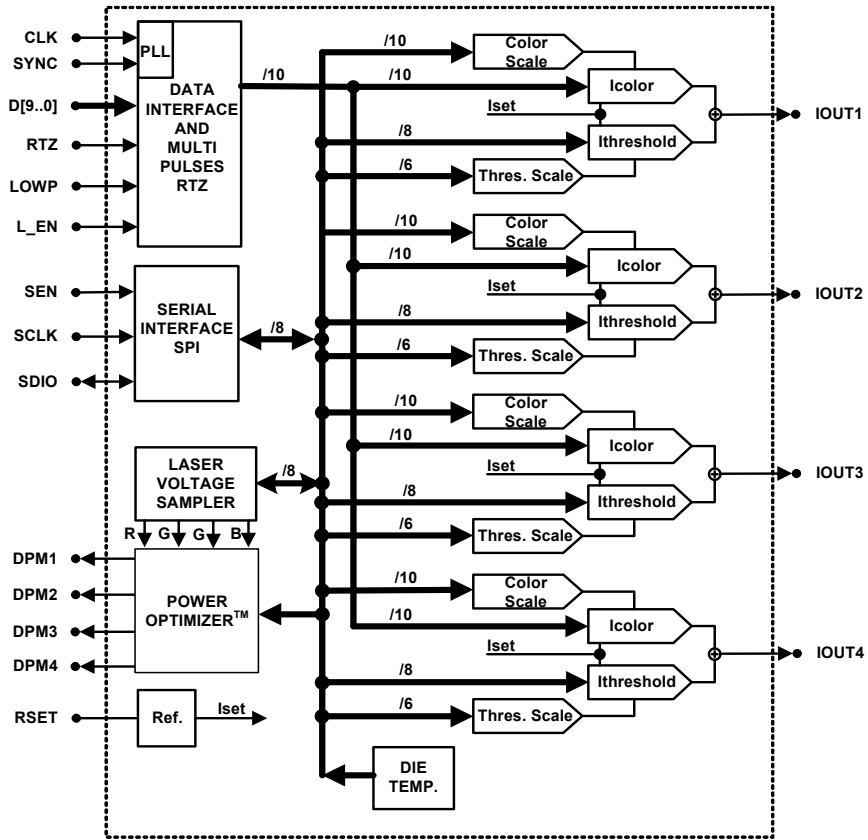


FIGURE 2. FUNCTIONAL BLOCK DIAGRAM

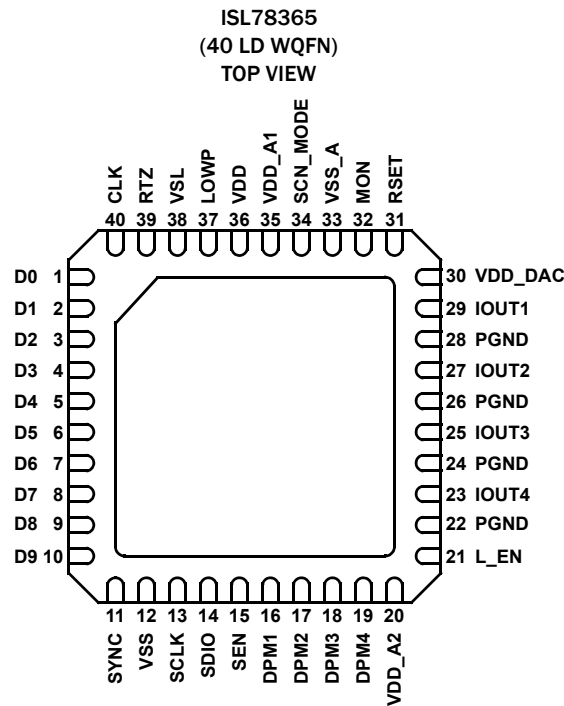
Ordering Information

| PART NUMBER (Notes 1, 2, 3) | PART MARKING | TEMP RANGE (°C) | PACKAGE (RoHS COMPLIANT) | PKG. DWG. # |
|--------------------------------|------------------|--------------------|-----------------------------|----------------|
| ISL78365ARZ | 78365 ARZ | -40 to +125 | 40 Ld WQFN | L40.6x6C |
| ISL78365EVAL1Z | Evaluation Board | | | |

NOTES:

1. Add "-T" suffix for 4k unit or "-T7A" suffix for 250 unit Tape and Reel options. Refer to [TB347](#) for details on reel specifications.
2. These Intersil Pb-free plastic packaged products employ special Pb-free material sets, molding compounds/die attach materials, and 100% matte tin plate plus anneal (e3 termination finish, which is RoHS compliant and compatible with both SnPb and Pb-free soldering operations). Intersil Pb-free products are MSL classified at Pb-free peak reflow temperatures that meet or exceed the Pb-free requirements of IPC/JEDEC J STD-020.
3. For Moisture Sensitivity Level (MSL), see product information page for [ISL78365](#). For more information on MSL, see techbrief [TB363](#).

Pin Configuration



Pin Descriptions

| PIN NAME | PIN NUMBER | I/O | PIN TYPE | PIN DESCRIPTION |
|----------|------------|--------|----------|--|
| D0 | 1 | Input | Digital | D0 to D9 form the parallel interface data bus. These 10 pins (bits) form each I _{OUT} DAC's data. There are two modes on latching the data into the device These 10 signals can be operated at 1.8V, 2.5V, or 3.3V CMOS logic levels. The VSL pin configures this setting (see VSL pin for description). By default, it is 1.8V. |
| D1 | 2 | | | |
| D2 | 3 | | | |
| D3 | 4 | | | |
| D4 | 5 | | | |
| D5 | 6 | | | |
| D6 | 7 | | | |
| D7 | 8 | | | |
| D8 | 9 | | | |
| D9 | 10 | | | |
| SYNC | 11 | Input | Digital | This pulse aligned with the CLK edge indicates the data on that edge is the final word of the sequence. The SYNC signal can be operated at 1.8V, 2.5V, or 3.3V CMOS logic levels. The VSL pin configures this setting (see VSL pin for description). By default, it is 1.8V. |
| SCLK | 13 | Input | Digital | The SCLK is the serial interface clock signal. It can be operated at 1.8V, 2.5V, or 3.3V CMOS logic level. The VSL pin configures this setting (see VSL pin for description). By default, it is 1.8V. |
| SDIO | 14 | Bi-Dir | Digital | The SDIO is the serial interface data signal. It can be operated at 1.8V, 2.5V, or 3.3V CMOS logic level. The VSL pin configures this setting (see VSL pin for description). By default, it is 1.8V. |
| SEN | 15 | Input | Digital | The SEN is the serial interface select enable signal. It can be operated at 1.8V, 2.5V, or 3.3V CMOS logic level. The VSL pin configures this setting (see VSL pin for description). By default, it is 1.8V. |

Pin Descriptions (Continued)

| PIN NAME | PIN NUMBER | I/O | PIN TYPE | PIN DESCRIPTION |
|----------|------------|--------|----------|---|
| DPM1 | 16 | Output | Analog | Dynamic power management to control the voltage headroom at I _{OUT1} . This is current output and the current is sunk from this pin to ground. If DPM function is not implemented, this pin should be left open. |
| DPM2 | 17 | Output | Analog | Dynamic power management to control the voltage headroom at I _{OUT2} . This is current output and the current is sunk from this pin to ground. If DPM function is not implemented, this pin should be left open. |
| DPM3 | 18 | Output | Analog | Dynamic power management to control the voltage headroom at I _{OUT3} . This is current output and the current is sunk from this pin to ground. If DPM function is not implemented, this pin should be left open. |
| DPM4 | 19 | Output | Analog | Dynamic power management to control the voltage headroom at I _{OUT4} . This is current output and the current is sunk from this pin to ground. If DPM function is not implemented, this pin should be left open. |
| L_EN | 21 | Input | Digital | The L_EN signal is an active high input with 1.8V logic threshold and it is 3.3V tolerance. It has a programmable current pull-up to VDD_A (3.3V) supply. |
| IOUT4 | 23 | Output | Analog | Current output for the I _{OUT4} laser. Current is sunk from the laser cathode to ground. I _{OUT1} , I _{OUT2} , I _{OUT3} , I _{OUT4} have similar performance capability. |
| IOUT3 | 25 | Output | Analog | Current output for the I _{OUT3} laser. Current is sunk from the laser cathode to ground. I _{OUT1} , I _{OUT2} , I _{OUT3} , I _{OUT4} have similar performance capability. |
| IOUT2 | 27 | Output | Analog | Current output for the I _{OUT2} laser. Current is sunk from the laser cathode to ground. I _{OUT1} , I _{OUT2} , I _{OUT3} , I _{OUT4} have similar performance capability. |
| IOUT1 | 29 | Output | Analog | Current output for the I _{OUT1} laser. Current is sunk from the laser cathode to ground. I _{OUT1} , I _{OUT2} , I _{OUT3} , I _{OUT4} have similar performance capability. |
| RSET | 31 | Output | Analog | The RSET pin connects to a resistor to ground the device to set the bias current for the device. A 13kΩ, 1% tolerance resistor is recommended value. The placement of the RSET resistor must be as close as possible to the pin. |
| MON | 32 | Output | Test | This pin is reserved for factory testing. It must be left floating. Do not tie to ground. |
| SCN_MODE | 34 | Input | Test | This pin is reserved for factory testing. This pin must tie to ground for normal operation. |
| LOWP | 37 | Input | Digital | LOWP is an active high input signal. When asserted, the device goes into the low power mode. The operating voltage is based on the VSL input voltage (see VSL pin description). A high resistance to ground resistor can be used to bias the pin to ground. |
| RTZ | 39 | Input | Digital | RTZ is an active high input signal. The operating voltage depends on the VSL input voltage and register 0x08[7:6] setting (see VSL pin description). When asserted, it causes the RTZ function to be driven on to the I _{OUTx} . If the RTZ function is not implemented, this pin should be tied to ground. |
| CLK | 40 | Input | Digital | CLK is the input data clock that latches the data D[0:9] into the parallel data interface. Data is latched on each edge of the CLK, thus its signal integrity is critical to correctly latching data into the device. If interface method chosen to use PLL only, the CLK pin should be tied to ground. The CLK can be operated with different voltage level and it is configured by the VSL pin (see VSL pin for description). |
| VDD_DAC | 30 | - | Power | VDD_DAC is the 3.3V supply pin for the output DACs. Due to large current changes during switching of these DACs, a good size decoupling capacitor pairs should be tied to this pin. We recommend the use of 10μF and 0.1μF capacitor pair with the smallest value capacitor placed closest to the pin. |
| VDD_A1 | 35 | - | Power | VDD_A1 is the 3.3V supply pin for the DPM and other DACs. A decoupling capacitor pair of 0.1μF and 4.7μF should be tied to this pin with the smallest value placed closest to the pin. |
| VDD_A2 | 20 | - | Power | VDD_A2 is the 3.3V supply pin for the DPM circuits. A decoupling capacitor pair of 0.1μF and 1.0μF should be tied to this pin with the smallest value placed closest to the pin. |
| VDD | 36 | - | Power | VDD is the 3.3V supply pin for the analog and digital block. A decoupling capacitor pair of 0.1μF and 1.0μF should be tied to this pin with the smallest value placed closest to the pin. |

Pin Descriptions (Continued)

| PIN NAME | PIN NUMBER | I/O | PIN TYPE | PIN DESCRIPTION |
|----------|----------------|-----|----------|---|
| VSL | 38 | - | Power | <p>VSL is the digital I/O pin supply rail. An 1.8V, 2.5V and 3.3V can be applied to this pin. The register 0x08 Bits[7:6] must be set to the applied voltage to correctly configure the I/O pin voltage threshold.</p> <p>This pin should be decoupled using an 0.01μF and 1.0μF capacitor pair to ground. The smallest value capacitor should be placed closest to the VSL pin.</p> <p>This pin sets the I/O voltage threshold for the following signals: CLK, D[0:9], SYNC, LOWP, RTZ, SCLK, SDIO, and SEN.</p> |
| VSS_A | 33 | - | Power | VSS_A is ground return for VDD_A1 and VDD_A2. GND connections should be made on the PCB to all GND pins. Decoupling capacitors for VDD_A1 and VDD_A2 returns should be placed as close as possible to this pin. |
| PGND | 22, 24, 26, 28 | - | Power | These four pins are the ground returns for the I _{OUT} DAC. |
| VSS | 12 | - | Power | GND connections should be made on the PCB to all GND pins. |
| EPAD | PAD | - | | This is the thermal pad of the device and can be connected to ground. It is important to remove as much of the thermal heat away from the device as possible. We recommend placing a thermal pad under the EPAD using our guideline given in the "General PowerPAD Design Considerations". |

NOTE: Pins with the same name are internally connected together.