

## Description

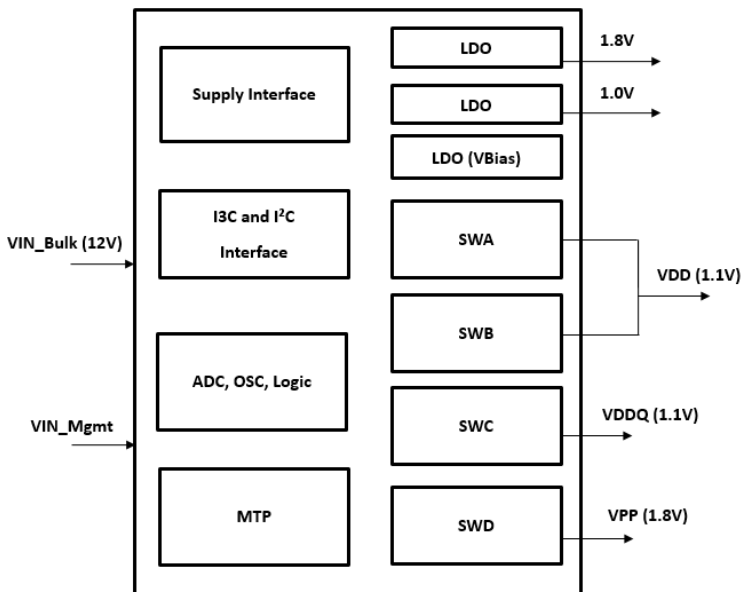
The P8900 is a power management IC (PMIC) designed for typical DDR5 RDIMM, DDR5 LRDIMM, and DDR5 NVDIMM applications. The P8900 features four step-down switching regulators and three LDO regulators.

The P8900 supports up to 15 Watts of power. It is powered from VIN\_Bulk input for switching regulators and VIN\_Mgmt input for the rest of the PMIC. The device supports selectable interface (I<sup>2</sup>C or I<sup>3</sup>C) to fit various application environment.

## Typical Applications

- DDR5 RDIMMs, LRDIMMs and NVDIMMs

## Block Diagram



## Features

- VIN\_Bulk input supply range: 4.25V to 15.0V
- VIN\_Mgmt input supply range: 3.0V to 3.6V
- Four step-down switching regulators: SWA, SWB, SWC, and SWD
- Programmable dual phase and single phase regulator for SWA and SWB
- Three LDO regulators: VBias, VOUT\_1.8V, and VOUT\_1.0V
- Automatic switchover from VIN\_Mgmt input supply to VIN\_Bulk input supply
- Error injection capability
- Error log registers
- Secure mode of operation
- Independently programmable output voltages, power-up and power-down sequence for switch regulators
- Input and output power good status reporting mechanism
- VIN\_Bulk input supply protection feature: Input over voltage
- Output switch regulators protection feature: Output over voltage, output under voltage, output current limiter
- Output current measurement, output current threshold mechanism
- Temperature measurement, temperature warning threshold, critical temperature shutdown
- Multi Time Programmable Non-Volatile Memory
- Programmable and DIMM specific registers for customization
- General Status Interrupt function
- Flexible Open Drain IO (3.3V, 2.5V, 1.8V, or 1.2V or 1.1V or 1.0V), or Push Pull IO (1.2V or 1.1V or 1.0V) support

## IMPORTANT NOTICE AND DISCLAIMER

RENESAS ELECTRONICS CORPORATION AND ITS SUBSIDIARIES (“RENESAS”) PROVIDES TECHNICAL SPECIFICATIONS AND RELIABILITY DATA (INCLUDING DATASHEETS), DESIGN RESOURCES (INCLUDING REFERENCE DESIGNS), APPLICATION OR OTHER DESIGN ADVICE, WEB TOOLS, SAFETY INFORMATION, AND OTHER RESOURCES “AS IS” AND WITH ALL FAULTS, AND DISCLAIMS ALL WARRANTIES, EXPRESS OR IMPLIED, INCLUDING, WITHOUT LIMITATION, ANY IMPLIED WARRANTIES OF MERCHANTABILITY, FITNESS FOR A PARTICULAR PURPOSE, OR NON-INFRINGEMENT OF THIRD-PARTY INTELLECTUAL PROPERTY RIGHTS.

These resources are intended for developers who are designing with Renesas products. You are solely responsible for (1) selecting the appropriate products for your application, (2) designing, validating, and testing your application, and (3) ensuring your application meets applicable standards, and any other safety, security, or other requirements. These resources are subject to change without notice. Renesas grants you permission to use these resources only to develop an application that uses Renesas products. Other reproduction or use of these resources is strictly prohibited. No license is granted to any other Renesas intellectual property or to any third-party intellectual property. Renesas disclaims responsibility for, and you will fully indemnify Renesas and its representatives against, any claims, damages, costs, losses, or liabilities arising from your use of these resources. Renesas' products are provided only subject to Renesas' Terms and Conditions of Sale or other applicable terms agreed to in writing. No use of any Renesas resources expands or otherwise alters any applicable warranties or warranty disclaimers for these products.

(Disclaimer Rev.1.01 Jan 2024)

### Corporate Headquarters

TOYOSU FORESIA, 3-2-24 Toyosu,  
Koto-ku, Tokyo 135-0061, Japan  
[www.renesas.com](http://www.renesas.com)

### Trademarks

Renesas and the Renesas logo are trademarks of Renesas Electronics Corporation. All trademarks and registered trademarks are the property of their respective owners.

### Contact Information

For further information on a product, technology, the most up-to-date version of a document, or your nearest sales office, please visit [www.renesas.com/contact-us/](http://www.renesas.com/contact-us/).