

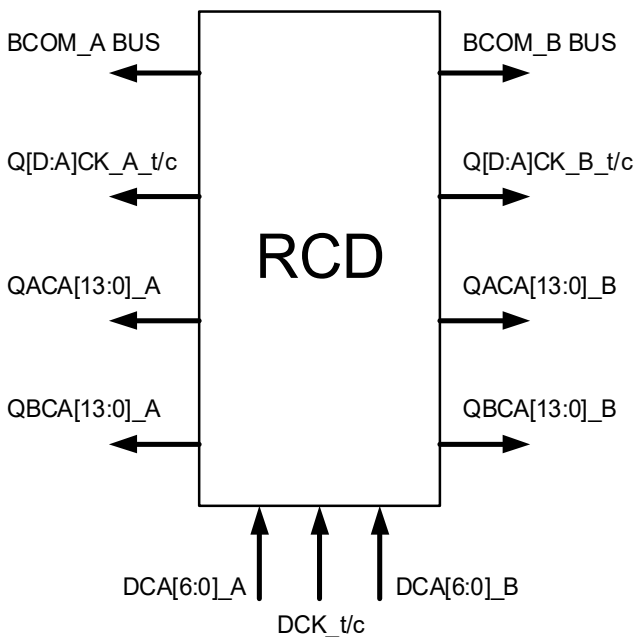
RG5R364A0C0GBY

DDR5 Registering Clock Driver

The RG5R364A0C0GBY is a registering clock driver used on DDR5 RDIMMs, LRDIMMs, and NVDIMMs. Its primary function is to buffer the Command/Address (CA) bus, chip selects, and clock between the host controller and the DRAMs. It also creates a BCOM bus which controls the data buffers for LRDIMMs.

It contains two separate channels which have some common logic such as clocking, but otherwise operate independently of each other. Each channel has a 7-bit double data rate CA bus input, a single parity input, two chip select inputs, and produces two copies of 14-bit single data rate CA bus outputs, and two copies of the chip select outputs. The RCD has a common clock input and PLL, but produces four separate clock pairs to the DRAM channels.

Block Diagram



Features

- Pinout optimized DDR5 RDIMM and LRDIMM PCB layout
- DDR5 server speeds up to 6400MT/s
- Supports power-down modes to conserve server power
- Supports 1-rank/2-rank DIMM configurations
- Supports SDP, DDP, 3DS DRAM types
- Provides access to internal control words for configuring device features and adapting to different RDIMM and LRDIMM system applications
- I²C and I3C sideband access for asynchronous register access control
- BCOM for LRDIMM data buffer control
- Loopback and pass-through modes
- Package: 8.7 × 13.5 mm, 240-FCBGA

Applications

- RDIMM, LRDIMM, NVDIMM modules for Enterprise Servers
- Memory down server motherboards

IMPORTANT NOTICE AND DISCLAIMER

RENESAS ELECTRONICS CORPORATION AND ITS SUBSIDIARIES (“RENESAS”) PROVIDES TECHNICAL SPECIFICATIONS AND RELIABILITY DATA (INCLUDING DATASHEETS), DESIGN RESOURCES (INCLUDING REFERENCE DESIGNS), APPLICATION OR OTHER DESIGN ADVICE, WEB TOOLS, SAFETY INFORMATION, AND OTHER RESOURCES “AS IS” AND WITH ALL FAULTS, AND DISCLAIMS ALL WARRANTIES, EXPRESS OR IMPLIED, INCLUDING, WITHOUT LIMITATION, ANY IMPLIED WARRANTIES OF MERCHANTABILITY, FITNESS FOR A PARTICULAR PURPOSE, OR NON-INFRINGEMENT OF THIRD PARTY INTELLECTUAL PROPERTY RIGHTS.

These resources are intended for developers skilled in the art designing with Renesas products. You are solely responsible for (1) selecting the appropriate products for your application, (2) designing, validating, and testing your application, and (3) ensuring your application meets applicable standards, and any other safety, security, or other requirements. These resources are subject to change without notice. Renesas grants you permission to use these resources only for development of an application that uses Renesas products. Other reproduction or use of these resources is strictly prohibited. No license is granted to any other Renesas intellectual property or to any third party intellectual property. Renesas disclaims responsibility for, and you will fully indemnify Renesas and its representatives against, any claims, damages, costs, losses, or liabilities arising out of your use of these resources. Renesas' products are provided only subject to Renesas' Terms and Conditions of Sale or other applicable terms agreed to in writing. No use of any Renesas resources expands or otherwise alters any applicable warranties or warranty disclaimers for these products.

(Rev.1.0 Mar 2020)

Corporate Headquarters

TOYOSU FORESIA, 3-2-24 Toyosu,
Koto-ku, Tokyo 135-0061, Japan
www.renesas.com

Contact Information

For further information on a product, technology, the most up-to-date version of a document, or your nearest sales office, please visit:
www.renesas.com/contact/

Trademarks

Renesas and the Renesas logo are trademarks of Renesas Electronics Corporation. All trademarks and registered trademarks are the property of their respective owners.